

Timer module - PLC-OSC-LPE-24DC/48DC/100 - 2903171

Please be informed that the data shown in this PDF Document is generated from our Online Catalog. Please find the complete data in the user's documentation. Our General Terms of Use for Downloads are valid (<http://phoenixcontact.com/download>)



Single-channel pulse expansion module, input: 24 V DC, output: 3 - 48 V DC/100 mA, supply: 24 V DC, screw connection

Product Description

DIP switch settings:

Function

DIP A low - no restart when triggered again (default)

DIP A high - restart when triggered again

DIP B low - input pulse time > 2 ms (default)

DIP B high - input pulse time > 100 µs

Pulse expansion times

DIP 1 - 10 ms

DIP 2 - 20 ms

DIP 3 - 40 ms

DIP 4 - 80 ms

DIP 5 - 160 ms

DIP 6 - 320 ms

DIP 7 - 640 ms

DIP 8 - 1280 ms

No DIP switch set: no switching function for the output

If the input signal is longer than the selected time, the output is switched off after removal of the input signal.

The settings are applied after a voltage reset of the rated control supply voltage.



Key Commercial Data

Packing unit	1 pc
GTIN	
GTIN	4046356727853

Technical data

Note

Utilization restriction	EMC: class A product, see manufacturer's declaration in the download area
-------------------------	---

Timer module - PLC-OSC-LPE-24DC/48DC/100 - 2903171

Technical data

Dimensions

Width	6.2 mm
Height	80 mm
Depth	86 mm

Ambient conditions

Ambient temperature (operation)	-25 °C ... 60 °C
Ambient temperature (storage/transport)	-25 °C ... 75 °C
Degree of protection	IP20

Input data

Rated control circuit supply voltage U_s	24 V DC
Input voltage range	19.2 V DC ... 28.8 V DC
Rated control supply current I_s	13 mA (Input low, output low) 19 mA (Input high, output high)
Rated actuating voltage U_c	24 V DC
"0" signal switching threshold in reference to U_c	< 0.4
"1" signal switching threshold in reference to U_c	> 0.8
Status display	Yellow LED
Operating voltage display	Green LED
Type of protection	Reverse polarity protection Surge protection
Surge voltage protection	> 33 V DC
Power dissipation for nominal condition	0.07 W

Output data

Output voltage range	3 V DC ... 48 V DC
Limiting continuous current	100 mA
Surge voltage protection	> 54 V DC
Voltage drop at max. limiting continuous current	< 1 V DC
Output circuit	3-conductor, ground-referenced
Type of protection	Reverse polarity protection Surge protection Free running

General

Test voltage input/output	2.5 kV _{rms} (50 Hz, 1 min.)
Mounting position	any
Assembly instructions	In rows with zero spacing
Operating mode	100% operating factor

Connection data

Connection name	Input side
Connection method	Screw connection

Timer module - PLC-OSC-LPE-24DC/48DC/100 - 2903171

Technical data

Connection data

Conductor cross section solid	0.14 mm ² ... 2.5 mm ²
Conductor cross section flexible	0.14 mm ² ... 2.5 mm ²
Conductor cross section AWG	26 ... 14

Connection data 2

Connection name	Output side
Connection method	Screw connection
Conductor cross section solid	0.14 mm ² ... 2.5 mm ²
Conductor cross section flexible	0.14 mm ² ... 2.5 mm ²
Conductor cross section AWG	26 ... 14

Standards and Regulations

Designation	Air clearances and creepage distances between the power circuits
Standards/regulations	DIN EN 50178
Rated insulation voltage	50 V DC
Rated surge voltage	0.5 kV
Insulation	Basic insulation
Pollution degree	2
Overvoltage category	II

Environmental Product Compliance

REACH SVHC	Lead 7439-92-1
China RoHS	Environmentally Friendly Use Period = 50 years
	For details about hazardous substances go to tab "Downloads", Category "Manufacturer's declaration"

Drawings

Timer module - PLC-OSC-LPE-24DC/48DC/100 - 2903171

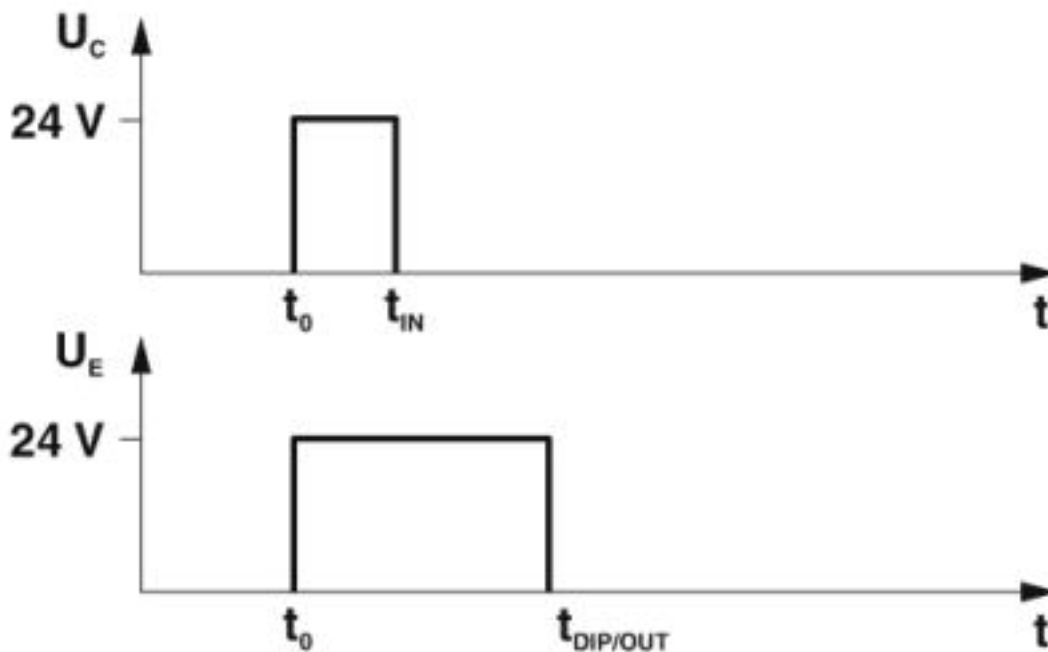
Connection diagram

t_{DIP}							
S1	S2	S3	S4	S5	S6	S7	S8
10	—	—	—	—	—	—	—
—	20	—	—	—	—	—	—
—	—	40	—	—	—	—	—
—	—	—	80	—	—	—	—
—	—	—	—	160	—	—	—
—	—	—	—	—	320	—	—
—	—	—	—	—	—	640	—
—	—	—	—	—	—	—	1280

DIP switches

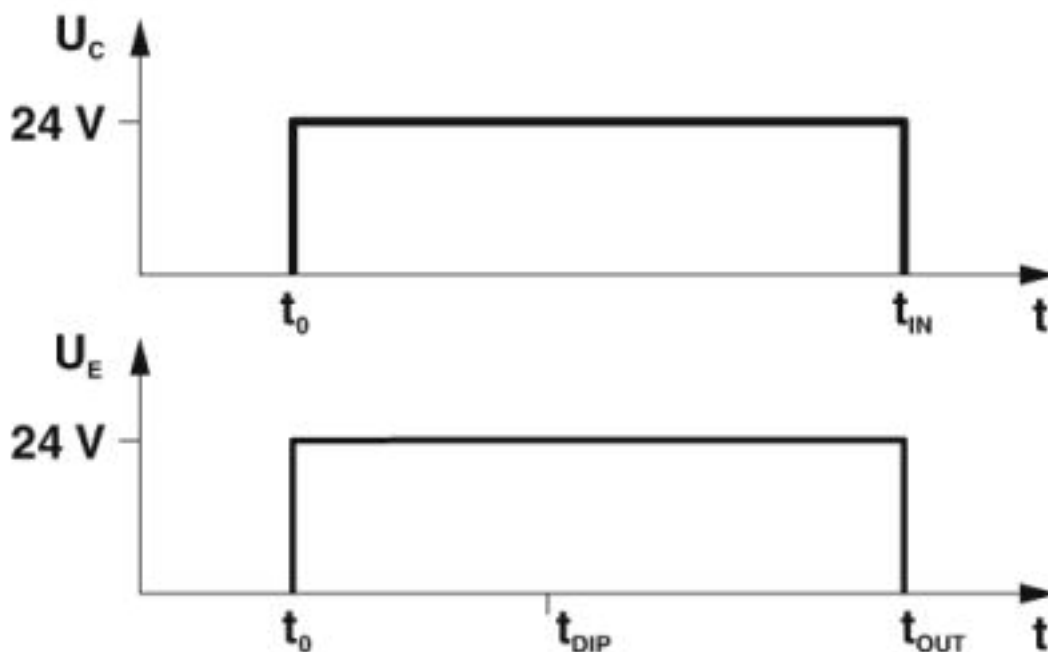
Timer module - PLC-OSC-LPE-24DC/48DC/100 - 2903171

Diagram



Input pulse $t_{IN} <$ set output pulse t_{DIP} (no restart when triggered again)

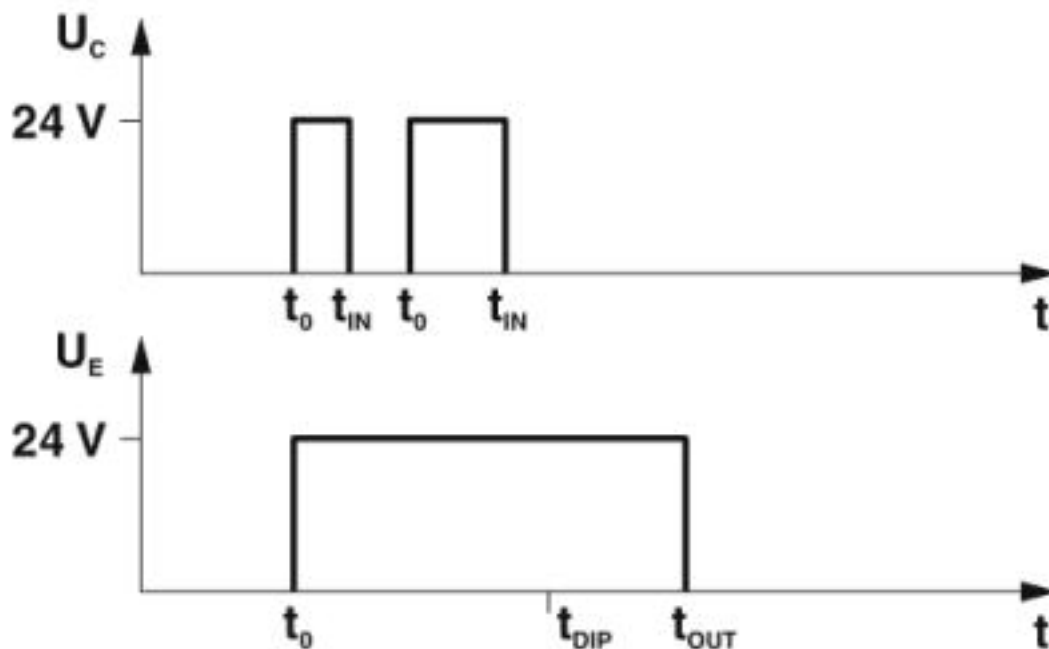
Diagram



Input pulse $t_{IN} \neq$ set output pulse t_{DIP} , then input pulse $t_{IN} =$ output pulse t_{OUT} (no restart when triggered again)

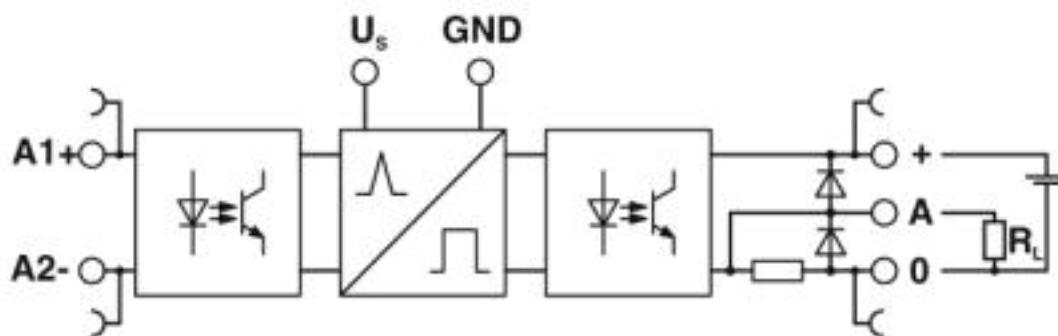
Timer module - PLC-OSC-LPE-24DC/48DC/100 - 2903171

Diagram



Input pulse $t_{IN} <$ set output pulse t_{DIP} (restart when triggered again)

Circuit diagram



Classifications

eCl@ss

eCl@ss 10.0.1	27371604
eCl@ss 4.0	27371100
eCl@ss 4.1	27371100
eCl@ss 5.0	27371000
eCl@ss 5.1	27371000
eCl@ss 6.0	27371600
eCl@ss 7.0	27371604
eCl@ss 8.0	27371604

Timer module - PLC-OSC-LPE-24DC/48DC/100 - 2903171

Classifications

eCl@ss

eCl@ss 9.0	27371604
------------	----------

ETIM

ETIM 2.0	EC001504
ETIM 3.0	EC001504
ETIM 4.0	EC001504
ETIM 5.0	EC001504
ETIM 6.0	EC001504
ETIM 7.0	EC001504

UNSPSC

UNSPSC 6.01	30211916
UNSPSC 7.0901	39121542
UNSPSC 11	39121542
UNSPSC 12.01	39121542
UNSPSC 13.2	39122326
UNSPSC 18.0	39122326
UNSPSC 19.0	39122326
UNSPSC 20.0	39122326
UNSPSC 21.0	39122326

Approvals

Approvals

Approvals

EAC

Ex Approvals

Approval details

EAC		RU*DE.*08.B.01536/19
-----	--	----------------------

Phoenix Contact 2020 © - all rights reserved
<http://www.phoenixcontact.com>

PHOENIX CONTACT GmbH & Co. KG
Flachmarktstr. 8
32825 Blomberg
Germany
Tel. +49 5235 300
Fax +49 5235 3 41200
<http://www.phoenixcontact.com>