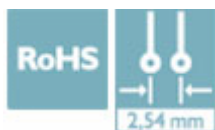


DIN rail bus connectors - HBUS 35,6-16P-1S BK - 2896283

Please be informed that the data shown in this PDF Document is generated from our Online Catalog. Please find the complete data in the user's documentation. Our General Terms of Use for Downloads are valid (<http://phoenixcontact.com/download>)

DIN rail connector, number of positions: 16, pitch: 2.54 mm, color: jet black



Key Commercial Data

Packing unit	10 pc
GTIN	
GTIN	4046356096768

Technical data

General

Housing material	Polyamide
------------------	-----------

Ambient conditions

Ambient temperature (operation)	-40 °C ... 105 °C (dependent on the derating curve)
---------------------------------	---

Dimensions

Length	37.1 mm
Width	35.6 mm
Pitch	2.54 mm
Height	13.6 mm

Technical data

Connection in acc. with standard	CUL
Nominal voltage U_N	60 V
Nominal current I_N	2 A
Indicator1	CUL1
Number of positions	16

Standards and Regulations

Connection in acc. with standard	CUL
----------------------------------	-----

DIN rail bus connectors - HBUS 35,6-16P-1S BK - 2896283

Technical data

Standards and Regulations

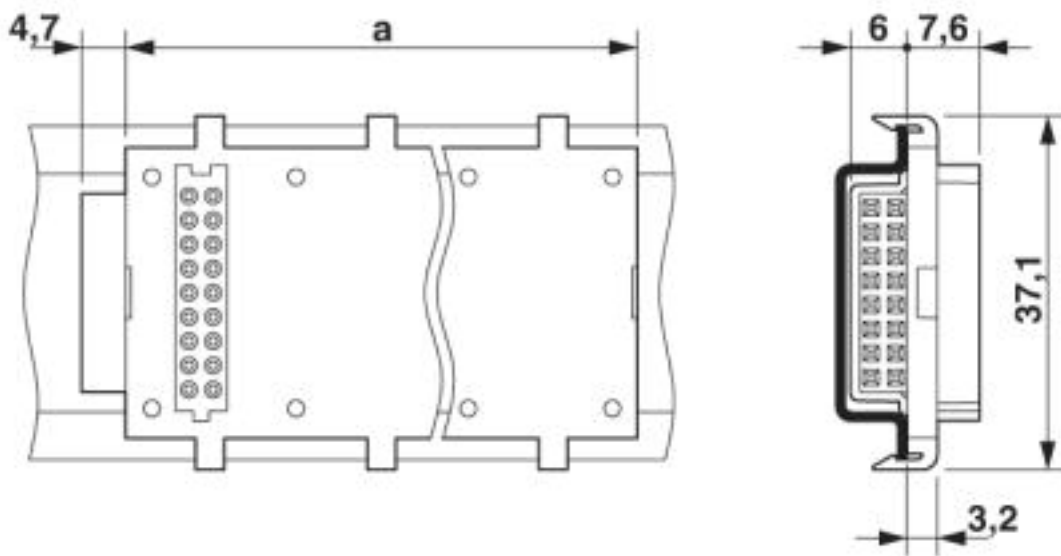
Flammability rating according to UL 94	V0
--	----

Environmental Product Compliance

China RoHS	Environmentally friendly use period: unlimited = EFUP-e
	No hazardous substances above threshold values

Drawings

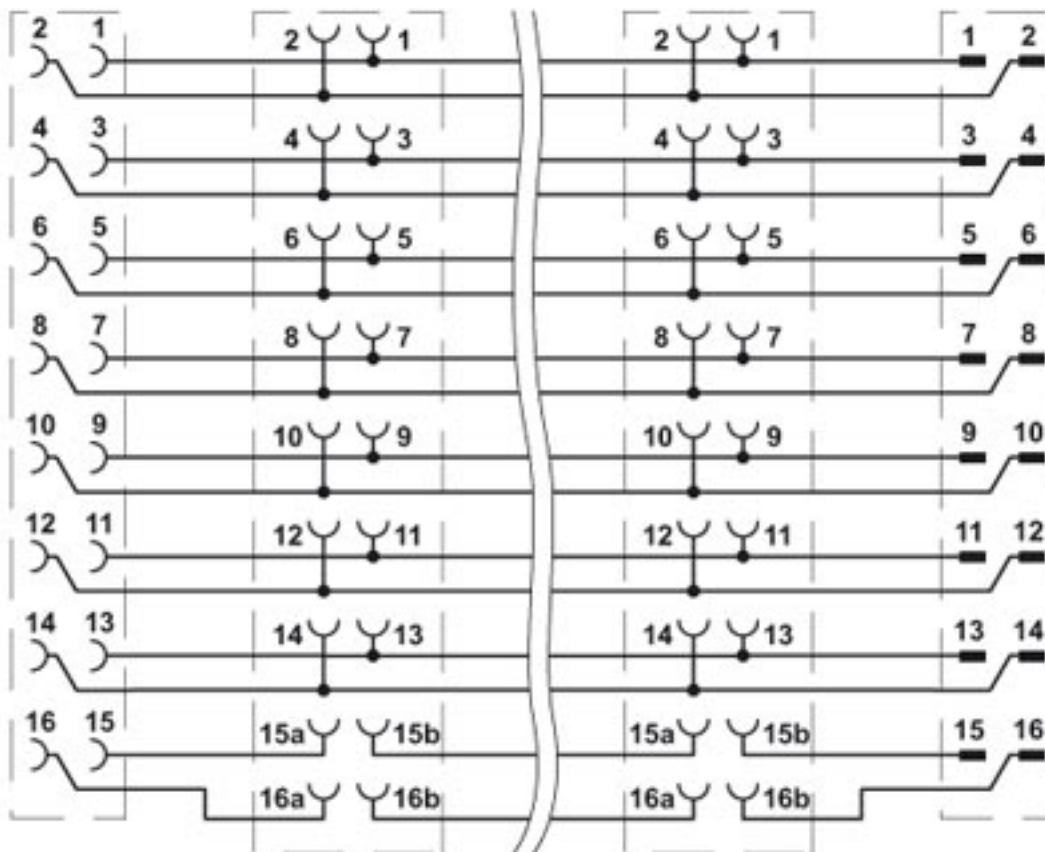
Dimensional drawing



A= 35.6 mm

DIN rail bus connectors - HBUS 35,6-16P-1S BK - 2896283

Circuit diagram



Classifications

eCl@ss

eCl@ss 4.0	27260700
eCl@ss 4.1	27260700
eCl@ss 5.0	27260700
eCl@ss 5.1	27260700
eCl@ss 6.0	27260700
eCl@ss 7.0	27440309
eCl@ss 8.0	27440309
eCl@ss 9.0	27440309

ETIM

ETIM 3.0	EC001121
ETIM 4.0	EC002637
ETIM 5.0	EC002638
ETIM 6.0	EC002638
ETIM 7.0	EC002638

DIN rail bus connectors - HBUS 35,6-16P-1S BK - 2896283

Classifications

UNSPSC

UNSPSC 6.01	30211810
UNSPSC 7.0901	39121409
UNSPSC 11	39121409
UNSPSC 12.01	39121409
UNSPSC 13.2	39121409
UNSPSC 18.0	39121409
UNSPSC 19.0	39121409
UNSPSC 20.0	39121409
UNSPSC 21.0	39121409

Approvals


Approvals


Approvals


UL Recognized / cUL Recognized / EAC / cULus Recognized

Ex Approvals

Approval details

UL Recognized		http://database.ul.com/cgi-bin/XYV/template/LISEXT/1FRAME/index.htm	FILE E 118976
Nominal voltage UN	30 V		
Nominal current IN	2 A		

cUL Recognized		http://database.ul.com/cgi-bin/XYV/template/LISEXT/1FRAME/index.htm	FILE E 118976
Nominal voltage UN	30 V		
Nominal current IN	2 A		

EAC		B.01687
-----	---	---------

DIN rail bus connectors - HBUS 35,6-16P-1S BK - 2896283

Approvals

cULus Recognized



Accessories

Accessories

Cable set

Cable set - BSL-2,54/16-ST 40CM - 2202938



Cable bridge for cross-DIN-rail connection of the HBUS connector

Cable set - BSL2-2,54/16-ST - 2201281



Cable bridge for cross-DIN-rail connection of the HBUS connector

Power plug - SL2-2,54/16-ST - 2896348



Power connector for DIN rail bus connector with 16 free cable ends with a cross section of 0.25 mm², 500 mm long, male contacts

Power plug - BL2-2,54/16-ST - 2896335



Power connector for DIN rail bus connector with 16 free cable ends with a cross section of 0.25 mm², 500 mm long, female contacts

Filler plug

DIN rail bus connectors - HBUS 35,6-16P-1S BK - 2896283

Accessories

Protective cap - HBUS-B SET BK - 2278173



Set of 3 caps, for protecting unused DIN rail bus connectors, simply snap on to fit

Necessary add-on products

Pin strip - PSTD 0,65X0,65/9-2,54 - 2200700



Pin strip, number of positions: 18, pitch: 2.54 mm

Phoenix Contact 2020 © - all rights reserved
<http://www.phoenixcontact.com>

PHOENIX CONTACT GmbH & Co. KG
Flachsmarktstr. 8
32825 Blomberg
Germany
Tel. +49 5235 300
Fax +49 5235 3 41200
<http://www.phoenixcontact.com>