


# RAD-ISM-2400-ANT-VAN- 3-0-SMA

Order No.: 2885867

<http://eshop.phoenixcontact.de/phoenix/treeViewClick.do?UID=2885867>

Omnidirectional antenna with protection against vandalism, 3 dBi gain, IP55 protection, 1.5 m cable length, SMA (male) connection, apex angle h/v 360°/85°. Appropriate assembly material is available for wall mounting.

Commercial data	
GTIN (EAN)	 4 046356 126120
sales group	H179
Pack	1 pcs.
Customs tariff	85177019
Catalog page information	Page 535 (IF-2009)

**Product notes**WEEE/RoHS-compliant since:  
05/22/2006

<http://www.download.phoenixcontact.com>  
Please note that the data given here has been taken from the online catalog. For comprehensive information and data, please refer to the user documentation. The General Terms and Conditions of Use apply to Internet downloads.

Technical data	
<b>General data</b>	
Frequency range	2.4 GHz
Horizontal beamwidth	360 °
Vertical beamwidth	85 °

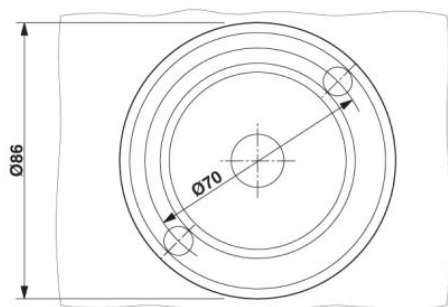
Impedance	50 $\Omega$
Gain	3 dBi
Wind load	10 N (at 160 km/h)
Type of connection	SMA (male) with cable (1.5 m)
Degree of protection	IP55
Ambient temperature (operation)	-40 °C ... 80 °C
Ambient temperature (storage/transport)	-40 °C ... 80 °C
Width	86 mm
Height	43 mm
Housing material	Aluminum

**Accessories**

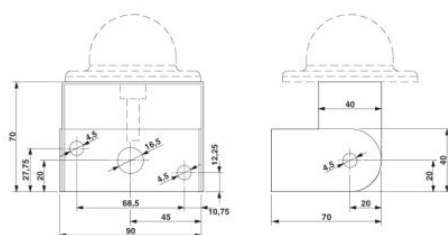
Item	Designation	Description
<b>General</b>		
2885870	RAD-ANT-VAN-MKT	Mounting material for wall mounting of OMNI omnidirectional antenna with protection against vandals

**Diagrams/Drawings**

Drilling plan/solder pad geometry



Dimensioned drawing



**Address**

PHOENIX CONTACT Deutschland GmbH  
Flachmarktstr. 8  
32825 Blomberg, Germany  
Phone +49 5235 3 12000  
Fax +49 5235 3 41200  
<http://www.phoenixcontact.de>



© 2011 Phoenix Contact  
Technical modifications reserved;