

Temperature measuring transducer - MCR-SL-PT100-LP-I - 2864558

Please be informed that the data shown in this PDF Document is generated from our Online Catalog. Please find the complete data in the user's documentation. Our General Terms of Use for Downloads are valid (<http://phoenixcontact.com/download>)




MCR temperature transducers: programmable loop-powered temperature transducers for Pt 100 resistance thermometers

Your advantages

- Freely programmable via MCR/PI-CONF-WIN
- Two-wire transmitter for Pt 100 resistance thermometers

Key Commercial Data

Packing unit	1 pc
GTIN	 4 017918 899813
GTIN	4017918899813

Technical data

Dimensions

Width	12.5 mm
Height	99 mm
Depth	114.5 mm

Ambient conditions

Ambient temperature (operation)	-40 °C ... 85 °C
Degree of protection	IP20
Noise immunity	EN 61326-1 (IEC 61326) and NAMUR NE 21

Input data

Configurable/programmable	Yes, programmable
Sensor types (RTD) that can be used	Pt 100 ; minimum measurement range 10 K
Connection technology	2, 3, 4-wire

Output data

Output name	Current output
-------------	----------------

Temperature measuring transducer - MCR-SL-PT100-LP-I - 2864558

Technical data

Output data

Configurable/programmable	Yes
Current output signal	4 mA ... 20 mA
	20 mA ... 4 mA
Output current with wire break	≤ 3.6 mA or ≥ 21 mA (adjustable)
Output current with short-circuit	≤ 3.6 mA or ≥ 21 mA (adjustable)
Output current range with overrange/underrange	≤ 20.5 mA / ≥ 3.8 mA (linear increase/decrease)
Load/output load current output	max ($V_{\text{supply}} - 12 \text{ V}$) / 0.023 A (current output)

Power supply

Designation	Loop-powered
Supply voltage range	12 V DC ... 35 V DC
Max. current consumption	< 3.5 mA

Connection data

Connection method	Pluggable screw connection
Stripping length	8 mm
Screw thread	M3
Conductor cross section solid	0.2 mm ² ... 2.5 mm ²
Conductor cross section flexible	0.2 mm ² ... 2.5 mm ²
Conductor cross section AWG	24 ... 24

General

Transmission error resistance thermometer	0.2 K
Step response (10-90%)	< 2 s
Switch-on delay	4 s
Test voltage input/output	2 kV (50 Hz, 1 min.)
Noise emission	EN 61326-1 (IEC 61326) and NAMUR NE 21
Noise immunity	EN 61326-1 (IEC 61326) and NAMUR NE 21
Color	green
Housing material	Polyamide PA non-reinforced
Mounting position	any
Configuration	Using MCR-PI-CONF-WIN configuration software package
Conformance	CE-compliant
UL, USA/Canada	Class I, Div. 2, Groups A, B, C, D

Standards and Regulations

Noise emission	EN 61326-1 (IEC 61326) and NAMUR NE 21
Noise immunity	EN 61326-1 (IEC 61326) and NAMUR NE 21
Connection in acc. with standard	CUL
Conformance	CE-compliant
UL, USA/Canada	Class I, Div. 2, Groups A, B, C, D

Environmental Product Compliance

Temperature measuring transducer - MCR-SL-PT100-LP-I - 2864558

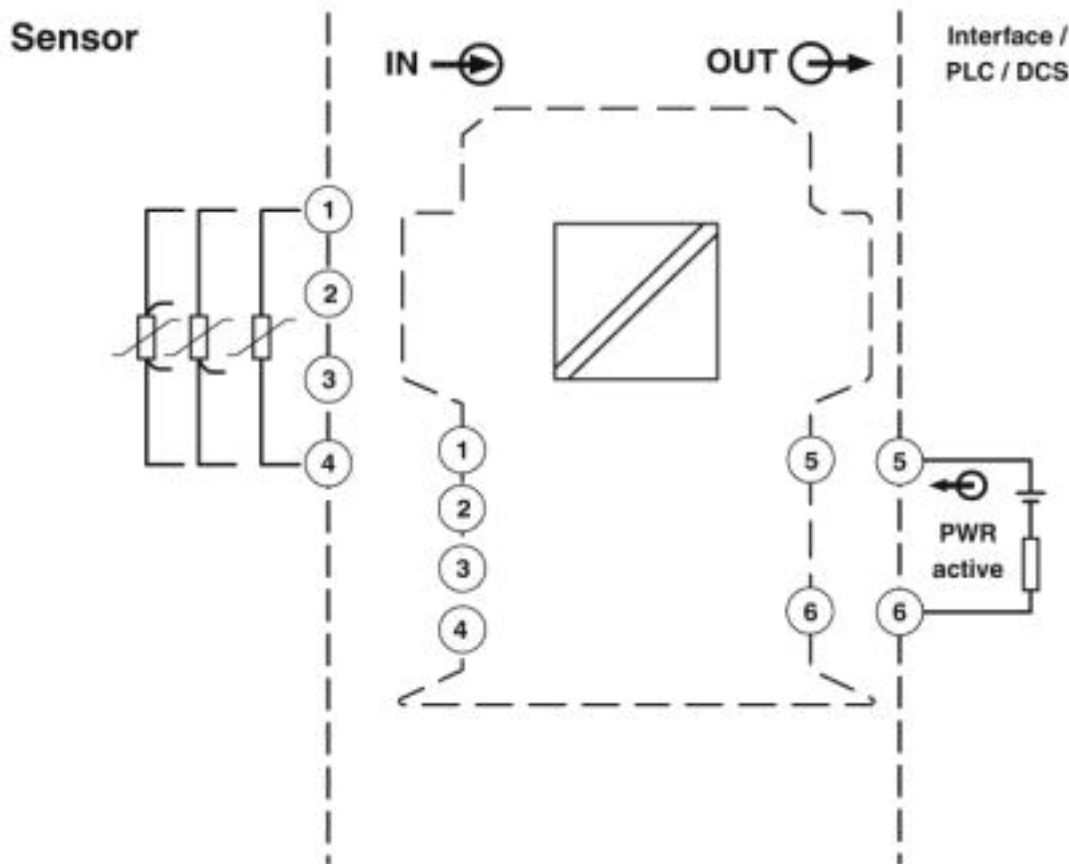
Technical data

Environmental Product Compliance

China RoHS	Environmentally friendly use period: unlimited = EFUP-e
	No hazardous substances above threshold values

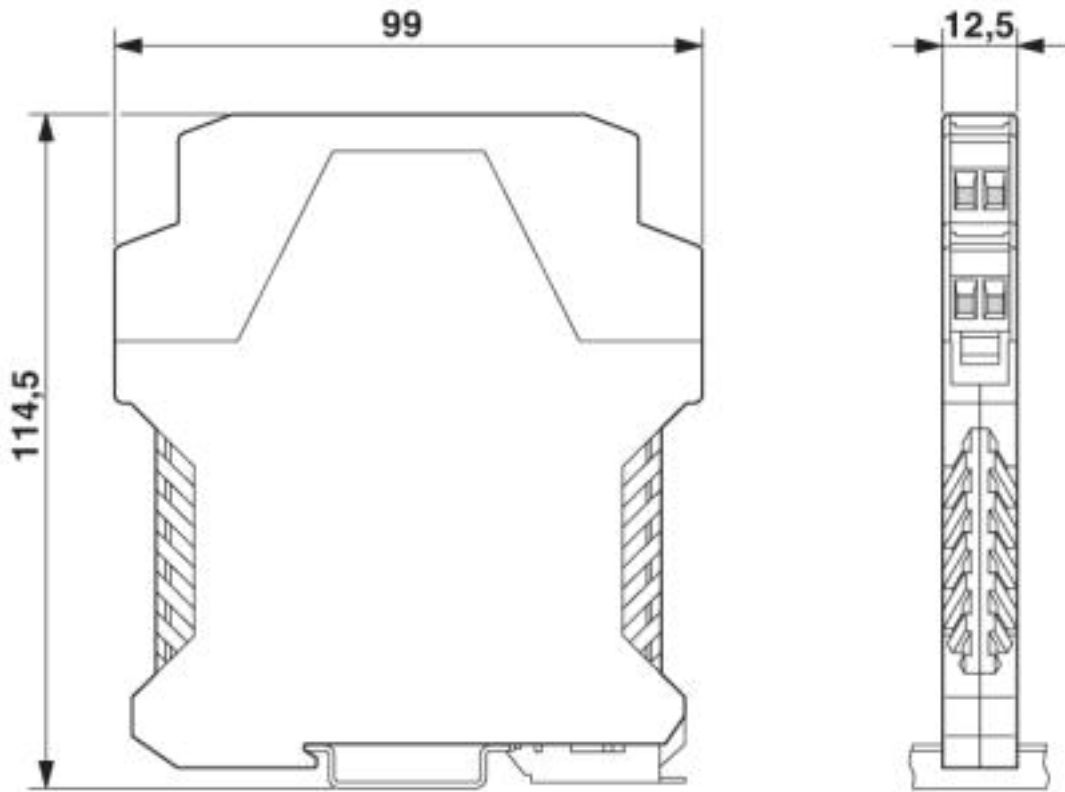
Drawings

Block diagram

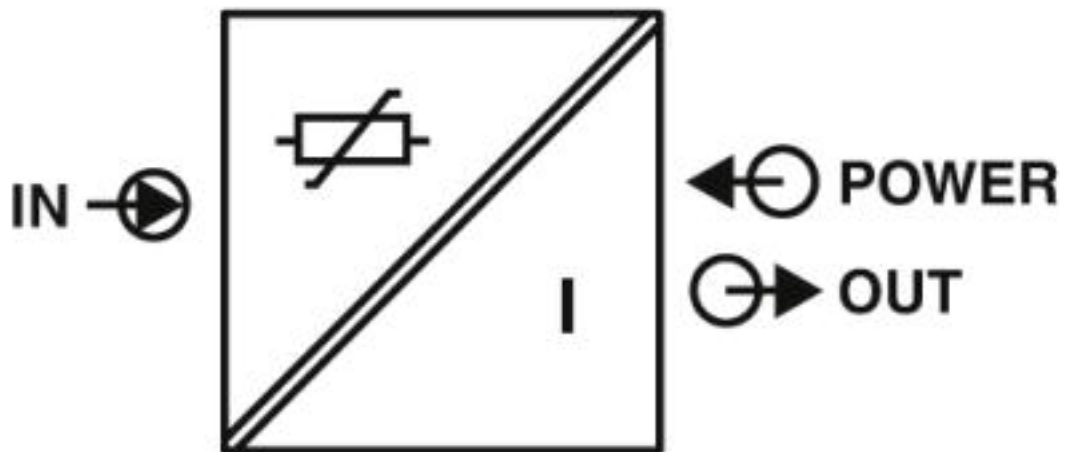


Temperature measuring transducer - MCR-SL-PT100-LP-I - 2864558

Dimensional drawing

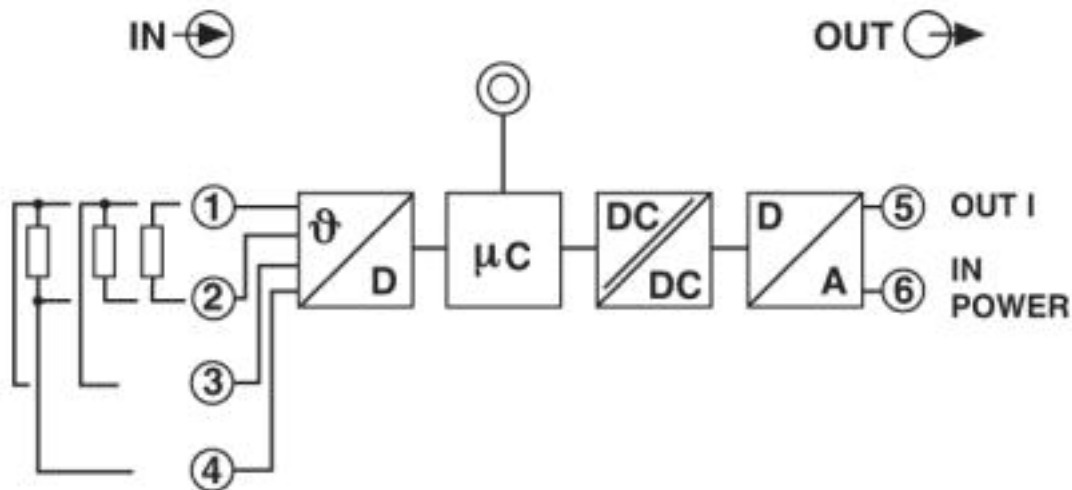


Pictogram



Temperature measuring transducer - MCR-SL-PT100-LP-I - 2864558

Circuit diagram



Classifications

eCl@ss

eCl@ss 4.0	27200200
eCl@ss 4.1	27200200
eCl@ss 5.0	27200200
eCl@ss 5.1	27200200
eCl@ss 6.0	27200200
eCl@ss 7.0	27200206
eCl@ss 8.0	27200206
eCl@ss 9.0	27210129

ETIM

ETIM 2.0	EC001446
ETIM 3.0	EC001446
ETIM 4.0	EC001446
ETIM 5.0	EC001446
ETIM 6.0	EC002919
ETIM 7.0	EC002919

UNSPSC

UNSPSC 6.01	30211506
UNSPSC 7.0901	39121008
UNSPSC 11	39121008
UNSPSC 12.01	39121008
UNSPSC 13.2	41112105
UNSPSC 18.0	41112105
UNSPSC 19.0	41112105

Temperature measuring transducer - MCR-SL-PT100-LP-I - 2864558

Classifications

UNSPSC

UNSPSC 20.0	41112105
UNSPSC 21.0	41112105

Accessories

Accessories

Programming adapter

Programming adapter - MCR-PAC-T-USB - 2309000

Programming adapter with USB and T port interface, 2.4 m for programming FA MCR-..., MCR-...-LP-..., and MCR-...-HT-... modules



Adapter cable - MCR-PAC-T - 2864590



Software adapter cable, 2.4 m for programming MCR-...-LP-...- and MCR-...-HT-... modules

Phoenix Contact 2020 © - all rights reserved
<http://www.phoenixcontact.com>

PHOENIX CONTACT GmbH & Co. KG
Flachsmarktstr. 8
32825 Blomberg
Germany
Tel. +49 5235 300
Fax +49 5235 3 41200
<http://www.phoenixcontact.com>