

RC-120-230UC

Order No.: 2833767

<http://eshop.phoenixcontact.de/phoenix/treeViewClick.do?UID=2833767>

Plug-in module, for mounting on PR1 and PR2, with RC element, input
voltage: 120 - 230 V AC/DC \pm 20%

Commercial data	
GTIN (EAN)	4017918933951
sales group	G381
Pack	10 pcs.
Customs tariff	85366990
Weight/Piece	0.00249 KG
Catalog page information	Page 66 (IF-2009)

Product notes

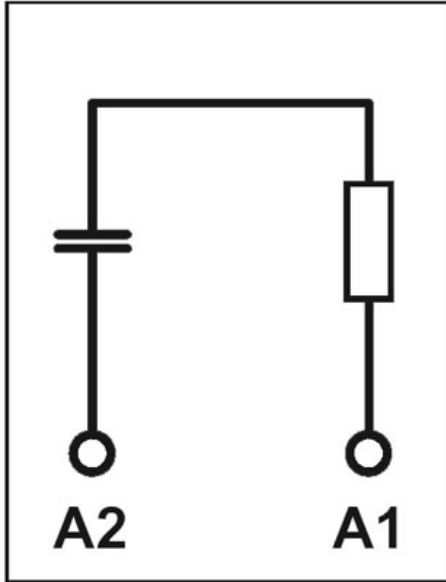
WEEE/RoHS-compliant since:
01/21/2009



[http://
www.download.phoenixcontact.com](http://www.download.phoenixcontact.com)
Please note that the data given
here has been taken from the
online catalog. For comprehensive
information and data, please refer
to the user documentation. The
General Terms and Conditions of
Use apply to Internet downloads.

Diagrams/Drawings

Circuit diagram



Address

PHOENIX CONTACT Inc., USA
586 Fulling Mill Road
Middletown, PA 17057, USA
Phone (800) 888-7388
Fax (717) 944-1625
<http://www.phoenixcon.com>



© 2010 Phoenix Contact
Technical modifications reserved;