

# MCR-VDC-UI-B-DC

Order No.: 2811116



<http://eshop.phoenixcontact.de/phoenix/treeViewClick.do?UID=2811116>

MCR voltage measuring transducer, for direct current voltages from 0.. (+/-)20 V DC to 0..(+/-)660 V DC, output signal (+/-)10 V/(+/-)20 mA

Commercial data	
GTIN (EAN)	4017918125394
sales group	H537
Pack	1 pcs.
Customs tariff	85437090
Weight/Piece	0.1552 KG
Catalog page information	Page 398 (IF-2009)

### Product notes

WEEE/RoHS-compliant since: 08/29/2006



<http://www.download.phoenixcontact.com>  
Please note that the data given here has been taken from the online catalog. For comprehensive information and data, please refer to the user documentation. The General Terms and Conditions of Use apply to Internet downloads.

Technical data	
<b>Input data</b>	
Input voltage range	-550 V DC ... 550 V DC
Input resistance	550 kΩ
Input voltage range	-370 V DC ... 370 V DC
Input resistance	370 kΩ
Input voltage range	-250 V DC ... 250 V DC

Input resistance	250 k $\Omega$
Input voltage range	-170 V DC ... 170 V DC
Input resistance	170 k $\Omega$
Input voltage range	-120 V DC ... 120 V DC
Input resistance	120 k $\Omega$
Input voltage range	-80 V DC ... 80 V DC
Input resistance	80 k $\Omega$
Input voltage range	-54 V DC ... 54 V DC
Input resistance	54 k $\Omega$
Input voltage range	-36 V DC ... 36 V DC
Input resistance	36 k $\Omega$
Nom. voltage	$\pm$ 660 V DC (ungrounded)
	$\pm$ 100 V DC (to earth)

#### Output data

Output name	Voltage output
Voltage output signal	-10 V ... 10 V
Max. output voltage	$\pm$ 15 V
Load/output load voltage output	> 10 k $\Omega$
Output name	Current output
Current output signal	-20 mA ... 20 mA
Max. output current	$\pm$ 30 mA
Load/output load current output	< 500 $\Omega$

#### Power supply

Range of supply voltages	18.5 V DC ... 30.2 V DC
Max. current consumption	< 50 mA

#### Connection data

Type of connection	Pluggable screw connection
Conductor cross section solid min.	0.2 mm <sup>2</sup>
Conductor cross section solid max.	2.5 mm <sup>2</sup>
Conductor cross section stranded min.	0.2 mm <sup>2</sup>
Conductor cross section stranded max.	2.5 mm <sup>2</sup>
Conductor cross section AWG/kcmil min.	24
Conductor cross section AWG/kcmil max	14
Stripping length	8 mm

Screw thread	M3
<b>General data</b>	
Width	22.5 mm
Height	99 mm
Depth	114.5 mm
Transmission error, max.	< 1 % (of end value)
Maximum temperature coefficient	< 0.015 %/K
Limit frequency (3 dB)	40 Hz
Alignment zero	± 20 %
Alignment span	± 20 %
Step response (10-90%)	12 ms
Ambient temperature (operation)	-25 °C ... 50 °C
Ambient temperature (storage/transport)	-40 °C ... 85 °C (without condensation)
Degree of protection	IP20
Pollution degree	2
Surge voltage category	II
Color	green
Housing material	Polyamide PA non-reinforced
Conformity	CE compliant
UL, USA / Canada	cULus

#### Certificates / Approvals



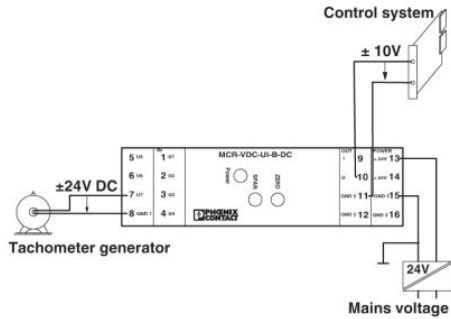
Certification

CUL, GOST, UL

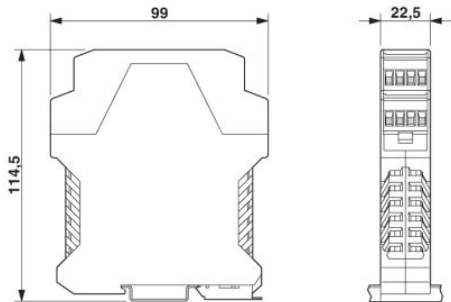
**Diagrams/Drawings**

Application drawing

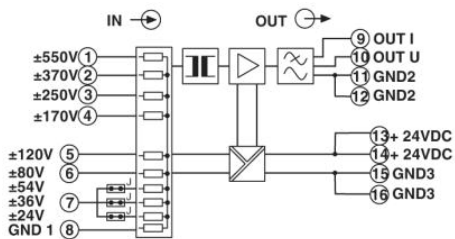
Voltage measurement in case of ungrounded circuits



Dimensioned drawing



Circuit diagram



**Address**

PHOENIX CONTACT Inc., USA  
586 Fulling Mill Road  
Middletown, PA 17057, USA  
Phone (800) 888-7388  
Fax (717) 944-1625  
<http://www.phoenixcon.com>



© 2010 Phoenix Contact  
Technical modifications reserved;