

Current transducers - MACX MCR-SL-CAC- 5-I-UP - 2810625

Please be informed that the data shown in this PDF Document is generated from our Online Catalog. Please find the complete data in the user's documentation. Our General Terms of Use for Downloads are valid (<http://phoenixcontact.com/download>)



Current measuring transducer for 1 A and 5 A AC, the output signal 0...20 mA or 4...20 mA, can be configured using a DIP switch with an operating mode indication through an LED

Product Description

The MACX MCR-SL-CAC-5-I(-UP) current measuring transducers convert sinusoidal alternating currents of 1 A or 5 A into standard analog signals 0...20 mA or 4...20 mA. The DIP switches, which can be accessed on the upper side of the housing, can be used to configure the input and output current.

The MACX MCR-SL-CAC-5-I current transducer contains a supply voltage range of 19.2 V DC to 30 V DC.


The MACX MCR-SL-CAC-5-I current transducer contains a long range version with a supply voltage range of 19.2 V AC/DC to 253 V AC/DC.

Your advantages

- Input/output can be configured via DIP switches



Key Commercial Data

Packing unit	1 pc
GTIN	 4 046356 153782
GTIN	4046356153782

Technical data

Note

Utilization restriction	EMC: class A product, see manufacturer's declaration in the download area
-------------------------	---

Dimensions

Width	22.5 mm
Height	104 mm
Depth	114.5 mm

Ambient conditions

Ambient temperature (operation)	-20 °C ... 65 °C (-4 °F...149 °F)
Ambient temperature (storage/transport)	-40 °C ... 85 °C (-40 °F ... 185 °F)

Current transducers - MACX MCR-SL-CAC- 5-I-UP - 2810625

Technical data

Ambient conditions

Maximum altitude	2000 m
Permissible humidity (operation)	10 % ... 95 % (non-condensing)
Degree of protection	IP20
Noise immunity	EN 61000-6-2 When being exposed to interference, there may be minimal deviations.

Input data

Configurable/programmable	Via DIP switches
Input current range	0 A ... 5 A
Setting range for min. input current	0 A AC ... 1 A (configurable)
Setting range for max. input current	0 A AC ... 5 A (configurable)
Overload capacity	2 x I _N (continuous)
Surge strength	20 x I _N (1 s)
Nominal frequency f _N	50 Hz
Frequency measuring range	45 Hz ... 65 Hz
Connection method	Screw terminal block

Output data

Output name	Current output
Configurable/programmable	Via DIP switches
Current output signal	0 mA ... 20 mA (configurable)
	4 mA ... 20 mA (configurable)
Max. output current	25 mA
Load/output load current output	< 500 Ω (20 mA)
Ripple	< 10 mV _{PP} (for 500 Ω at 20 mA)
Status display	LED red (error), LED green (ready)

Switching output

Output name	No switching output
-------------	---------------------

Power supply

Supply voltage range	19.2 V AC/DC ... 253 V AC/DC
Max. current consumption	< 30 mA (at U _B =24 V DC, I _{OUT} =20 mA)
	< 13 mA (at U _B = 230 V AC, I _{OUT} =20 mA)
Power consumption	< 0.9 W (at U _B =24 V DC, I _{OUT} =20 mA)
	< 3.4 W (at U _B = 230 V AC, I _{OUT} =20 mA)

Connection data

Connection method	Screw connection
Stripping length	8 mm
Screw thread	M3
Conductor cross section solid	0.2 mm ² ... 2.5 mm ²
Conductor cross section flexible	0.2 mm ² ... 2.5 mm ²

Current transducers - MACX MCR-SL-CAC- 5-I-UP - 2810625

Technical data

Connection data

Conductor cross section AWG	24 ... 14
-----------------------------	-----------

General

Maximum transmission error	≤ 0.5 % (of nominal range value under nominal conditions)
Maximum temperature coefficient	< 0.02 %/K
Temperature coefficient, typical	< 0.015 %/K
Step response (10-90%)	≤ 300 ms
	typ. 200 ms
Overvoltage category	III
Degree of pollution	2
Test voltage input/output	4 kV (50 Hz, 1 min.)
Test voltage output/power supply	2 kV (50 Hz, 1 min.)
Electromagnetic compatibility	Conformance with EMC directive
Noise emission	EN 61000-6-4
Noise immunity	EN 61000-6-2 When being exposed to interference, there may be minimal deviations.
Color	gray
Housing material	Polyamide PA non-reinforced
Mounting position	any
Conformance	CE-compliant
ATEX	# II 3 G Ex nA IIC T4 Gc X
UL, USA/Canada	UL 508 Recognized

Standards and Regulations

Electromagnetic compatibility	Conformance with EMC directive
Noise emission	EN 61000-6-4
Connection in acc. with standard	CUL
Standards/regulations	EN 61000-4-2
	EN 61000-4-3
	EN 61000-4-4
Comments	Criterion B
Standards/regulations	EN 61000-4-5
	EN 61000-4-6
Conformance	CE-compliant
ATEX	# II 3 G Ex nA IIC T4 Gc X
UL, USA/Canada	UL 508 Recognized

Conformance/approvals

Designation	CE
Identification	CE-compliant
Designation	ATEX
Identification	# II 3 G Ex nA IIC T4 Gc X
Designation	UL, USA/Canada

Current transducers - MACX MCR-SL-CAC- 5-I-UP - 2810625

Technical data

Conformance/approvals

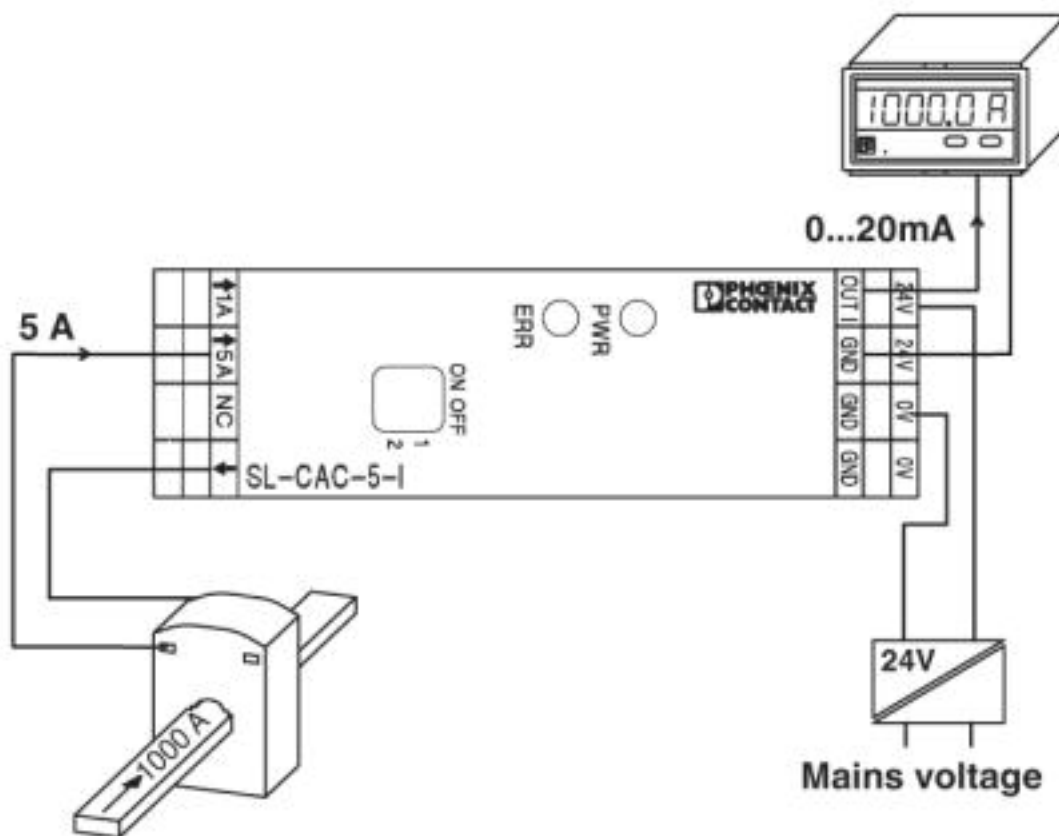
Identification	UL 508 Recognized
----------------	-------------------

Environmental Product Compliance

REACH SVHC	Lead 7439-92-1
China RoHS	Environmentally Friendly Use Period = 50 years
	For details about hazardous substances go to tab "Downloads", Category "Manufacturer's declaration"

Drawings

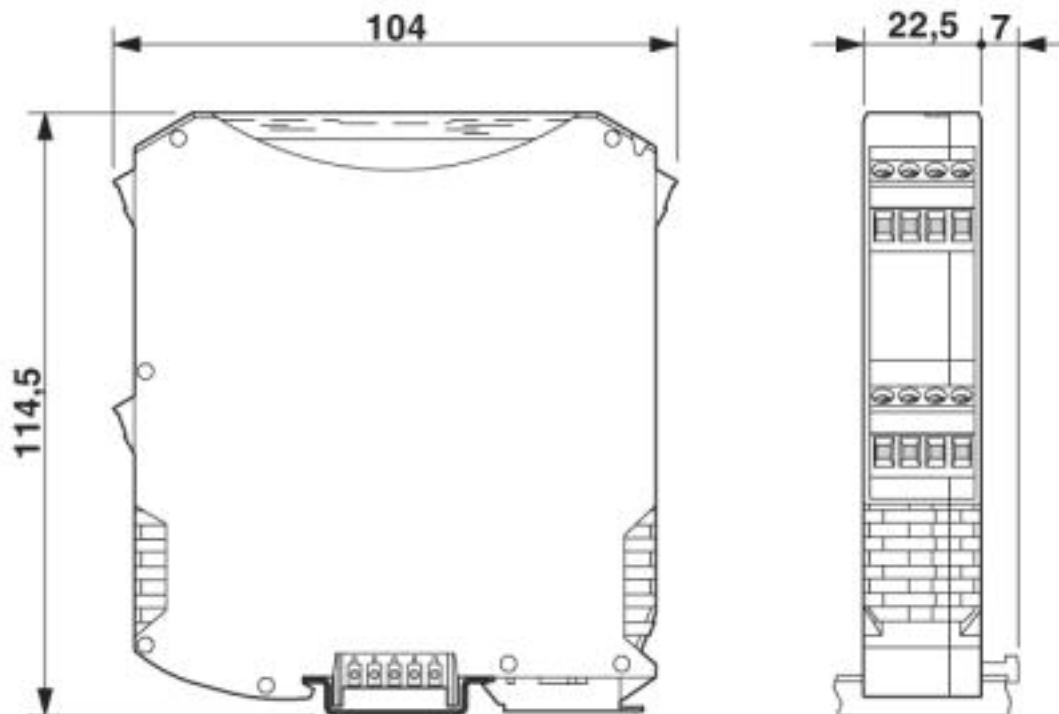
Application drawing



Current measurement

Current transducers - MACX MCR-SL-CAC- 5-I-UP - 2810625

Dimensional drawing



Classifications

eCl@ss

eCl@ss 4.0	27271100
eCl@ss 4.1	27200300
eCl@ss 5.0	27200300
eCl@ss 5.1	27200300
eCl@ss 6.0	27210100
eCl@ss 7.0	27210123
eCl@ss 8.0	27210123
eCl@ss 9.0	27210123

ETIM

ETIM 3.0	EC002475
ETIM 4.0	EC002475
ETIM 5.0	EC002475
ETIM 6.0	EC002475
ETIM 7.0	EC002475

UNSPSC

UNSPSC 6.01	30211506
UNSPSC 7.0901	39121008
UNSPSC 11	39121008

Current transducers - MACX MCR-SL-CAC- 5-I-UP - 2810625

Classifications

UNSPSC

UNSPSC 12.01	39121008
UNSPSC 13.2	39121032
UNSPSC 18.0	39121032
UNSPSC 19.0	39121032
UNSPSC 20.0	39121032
UNSPSC 21.0	39121032

Approvals

Approvals

Approvals

UL Recognized / cUL Recognized / cULus Recognized

Ex Approvals

ATEX / EAC Ex

Approval details

UL Recognized		http://database.ul.com/cgi-bin/XYV/template/LISEXT/1FRAME/index.htm	FILE E 238705
---------------	--	---	---------------

cUL Recognized		http://database.ul.com/cgi-bin/XYV/template/LISEXT/1FRAME/index.htm	FILE E 238705
----------------	--	---	---------------

cULus Recognized			
------------------	--	--	--

Accessories

Accessories

DIN rail connector

DIN rail bus connectors - ME 22,5 TBUS 1,5/ 5-ST-3,81 GN - 2707437



DIN rail connector, number of positions: 5, pitch: 3.81 mm, pin layout: Linear pinning, Articles with gold-plated contacts, bus connectors for connecting with electronic housings

Current transducers - MACX MCR-SL-CAC- 5-I-UP - 2810625

Accessories

Phoenix Contact 2020 © - all rights reserved
<http://www.phoenixcontact.com>

PHOENIX CONTACT GmbH & Co. KG
Flachsmarktstr. 8
32825 Blomberg
Germany
Tel. +49 5235 300
Fax +49 5235 3 41200
<http://www.phoenixcontact.com>