

# Fiber optic coupling - PSM-SET-BFOC-LINK/2 - 2799429

Please be informed that the data shown in this PDF Document is generated from our Online Catalog. Please find the complete data in the user's documentation. Our General Terms of Use for Downloads are valid (<http://phoenixcontact.com/download>)

Coupling; set consisting of 2 couplings for connecting B-FOC plugs




## Your advantages

- Suitable for fiber types:
  - POF (980/1000 µm)
  - PCF (200/230 µm)
  - GOF MM (50/125µm)
  - GOF SM (9/125µm)



## Key Commercial Data

Packing unit	1 pc
GTIN	 4 017918 118389
GTIN	4017918118389

## Technical data

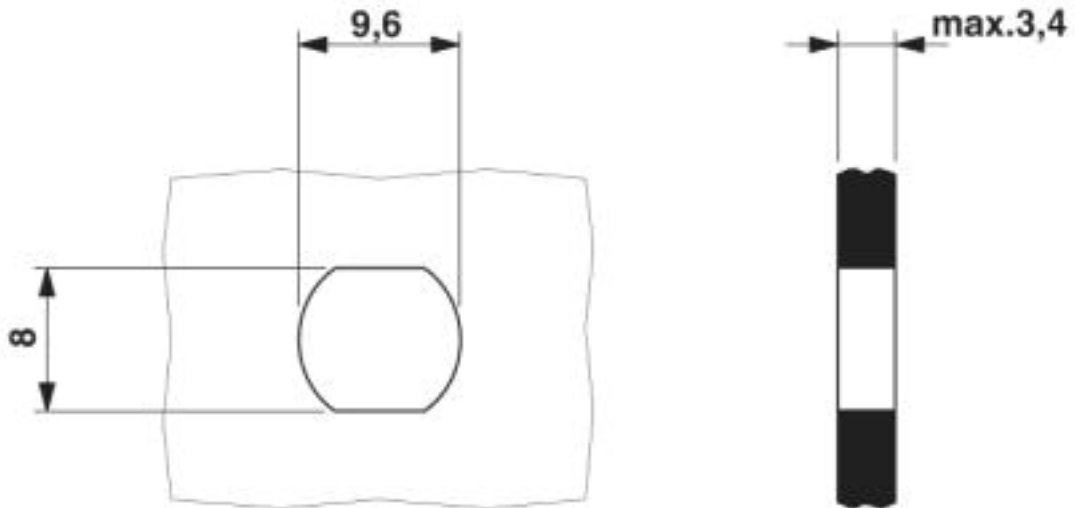
### Environmental Product Compliance

China RoHS	Environmentally friendly use period: unlimited = EFUP-e
	No hazardous substances above threshold values

## Drawings

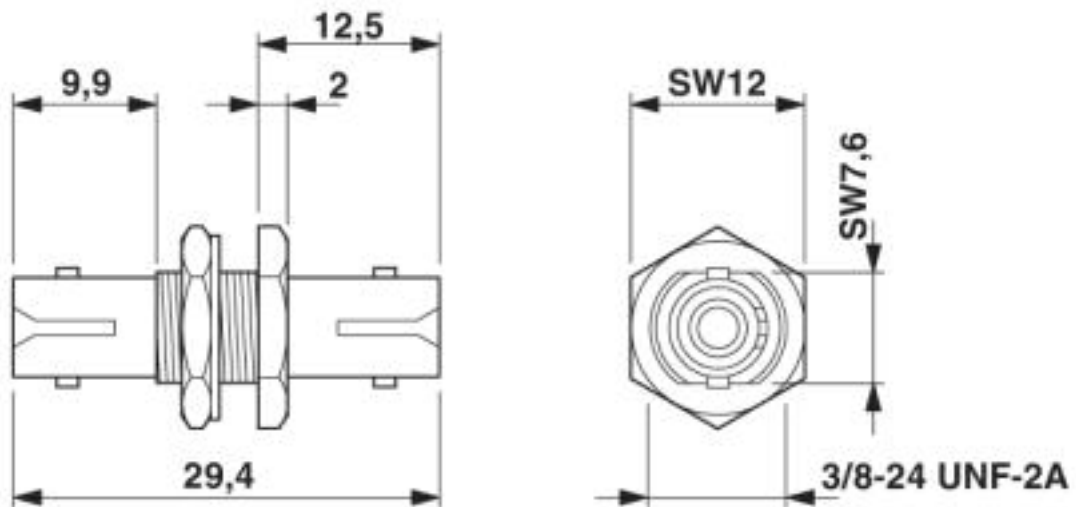
# Fiber optic coupling - PSM-SET-BFOC-LINK/2 - 2799429

Drilling diagram



Drilling diagram B-FOC panel feed-through

Dimensional drawing



Dimensional drawing B-FOC coupling

## Classifications

eCl@ss

eCl@ss 10.0.1	19170116
eCl@ss 4.0	24010400
eCl@ss 4.1	24010400
eCl@ss 5.0	19030300
eCl@ss 5.1	19030300
eCl@ss 6.0	27061800

# Fiber optic coupling - PSM-SET-BFOC-LINK/2 - 2799429

## Classifications

### eCl@ss

eCl@ss 7.0	19170116
eCl@ss 8.0	19170116
eCl@ss 9.0	19170116

### ETIM

ETIM 2.0	EC001122
ETIM 3.0	EC001122
ETIM 4.0	EC001122
ETIM 5.0	EC000752
ETIM 6.0	EC000752
ETIM 7.0	EC000752

### UNSPSC

UNSPSC 6.01	26121607
UNSPSC 7.0901	26121607
UNSPSC 11	26121607
UNSPSC 12.01	26121607
UNSPSC 13.2	26121607
UNSPSC 18.0	26121607
UNSPSC 19.0	26121607
UNSPSC 20.0	26121607
UNSPSC 21.0	26121607

## Approvals

### Approvals

Approvals

EAC

Ex Approvals

### Approval details

EAC		B.01742
-----	--	---------

## Accessories

### Accessories

## Fiber optic coupling - PSM-SET-BFOC-LINK/2 - 2799429

### Accessories

#### Adapter

Fiber optic coupling - FL COUPLER SC-DUPLEX - 2901788



Coupling, SC duplex/SC duplex, compatible with multi-mode and single mode glass fibers, PCF, and polymer fibers

---

#### Fiber optics connector (device side)

SC-RJ female insert - VS-SCRJ-GOF-BU/BU - 1652978



SC-RJ socket insert, duplex, for VS-A-F-IP67 panel mounting frame, can be used for fiberglass (multi-mode and single mode), PCF, and polymer fibers

---

Fiber optic coupling - PSM-SET-FSMA-LINK/2 - 2799416



Coupling; set consisting of 2 couplings for connecting F-SMA plugs

---

Fiber optic coupling - FL MM PATCH COUPLER LC-LC - 2700312



Coupling, LC/LC, can be used for multi-mode glass fibers

---

Fiber optic coupling - FL SM PATCH COUPLER LC-LC - 2700313



Coupling, LC/LC, can be used for single mode glass fibers

---

## Fiber optic coupling - PSM-SET-BFOC-LINK/2 - 2799429

### Accessories

FO connectors - PSM-SET-B-FOC/4-HCS/PN - 2313782



B-FOC (ST) connector set for standard PROFINET PCF fiber cables with 2.2 mm diameter of the individual elements. Consisting of 4 quick mounting connectors with bend protection for self-assembly.

---

FO connectors - PSM-SET-B-FOC/4-HCS - 2708481



B-FOC (ST) connector set for PCF fiber, for self assembly consisting of 4 quick mounting connectors with bend protection sleeve

---

Phoenix Contact 2020 © - all rights reserved  
<http://www.phoenixcontact.com>

PHOENIX CONTACT GmbH & Co. KG  
Flachsmarktstr. 8  
32825 Blomberg  
Germany  
Tel. +49 5235 300  
Fax +49 5235 3 41200  
<http://www.phoenixcontact.com>