

Fiber optic coupling - PSM-SET-FSMA-LINK/2 - 2799416

Please be informed that the data shown in this PDF Document is generated from our Online Catalog. Please find the complete data in the user's documentation. Our General Terms of Use for Downloads are valid (<http://phoenixcontact.com/download>)

Coupling; set consisting of 2 couplings for connecting F-SMA plugs




Your advantages

- Suitable for fiber types:
 - POF (980/1000 µm)
 - PCF (200/230 µm)
 - GOF MM (50/125µm)
 - GOF SM (9/125µm)



Key Commercial Data

Packing unit	1 pc
GTIN	 4 017918 118396
GTIN	4017918118396

Technical data

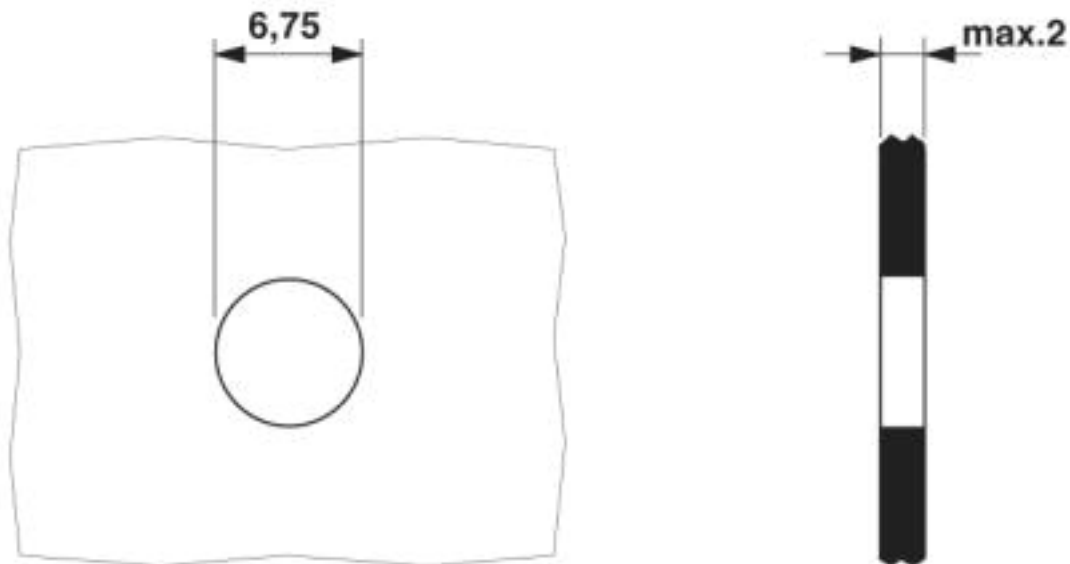
Environmental Product Compliance

REACH SVHC	Lead 7439-92-1
China RoHS	Environmentally friendly use period: unlimited = EFUP-e
	No hazardous substances above threshold values

Drawings

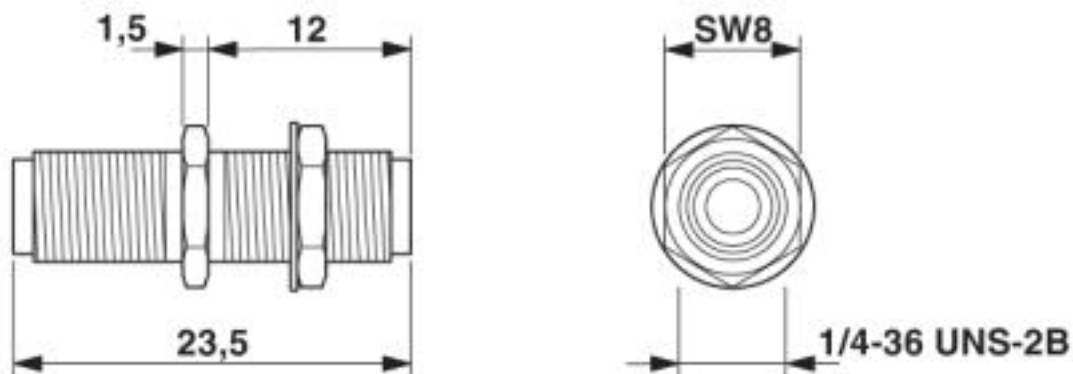
Fiber optic coupling - PSM-SET-FSMA-LINK/2 - 2799416

Drilling diagram



Drilling diagram F-SMA panel feed-through

Dimensional drawing



Dimensional drawing F-SMA coupling

Classifications

eCl@ss

eCl@ss 10.0.1	19170116
eCl@ss 4.0	24010400
eCl@ss 4.1	24010400
eCl@ss 5.0	19030300
eCl@ss 5.1	19030300
eCl@ss 6.0	27061800
eCl@ss 7.0	19170116
eCl@ss 8.0	19170116

Fiber optic coupling - PSM-SET-FSMA-LINK/2 - 2799416

Classifications

eCl@ss

eCl@ss 9.0	19170116
------------	----------

ETIM

ETIM 2.0	EC000752
ETIM 3.0	EC000752
ETIM 4.0	EC000752
ETIM 5.0	EC000752
ETIM 6.0	EC000752
ETIM 7.0	EC000752

UNSPSC

UNSPSC 6.01	26121607
UNSPSC 7.0901	26121607
UNSPSC 11	26121607
UNSPSC 12.01	26121607
UNSPSC 13.2	26121607
UNSPSC 18.0	26121607
UNSPSC 19.0	26121607
UNSPSC 20.0	26121607
UNSPSC 21.0	26121607

Approvals

Approvals

Approvals

EAC

Ex Approvals

Approval details

EAC		B.01687
-----	--	---------

Accessories

Accessories

Adapter

Fiber optic coupling - PSM-SET-FSMA-LINK/2 - 2799416

Accessories

Fiber optic coupling - FL COUPLER SC-DUPLEX - 2901788



Coupling, SC duplex/SC duplex, compatible with multi-mode and single mode glass fibers, PCF, and polymer fibers

Fiber optics connector (device side)

SC-RJ female insert - VS-SCRJ-GOF-BU/BU - 1652978



SC-RJ socket insert, duplex, for VS-A-F-IP67 panel mounting frame, can be used for fiberglass (multi-mode and single mode), PCF, and polymer fibers

Fiber optic coupling - PSM-SET-BFOC-LINK/2 - 2799429



Coupling; set consisting of 2 couplings for connecting B-FOC plugs

Fiber optic coupling - FL MM PATCH COUPLER LC-LC - 2700312



Coupling, LC/LC, can be used for multi-mode glass fibers

Fiber optic coupling - FL SM PATCH COUPLER LC-LC - 2700313



Coupling, LC/LC, can be used for single mode glass fibers

Fiber optic coupling - PSM-SET-FSMA-LINK/2 - 2799416

Accessories

FO connectors - PSM-SET-FSMA/4-HCS - 2799487



F-SMA plug set for PCF fiber, for self assembly consisting of 4 quick mounting connectors with bend protection sleeve

FO connectors - PSM-SET-FSMA/4-KT - 2799720



F-SMA plug set for polymer fiber, for self assembly consisting of 4 quick mounting connectors with bend protection sleeve

Phoenix Contact 2020 © - all rights reserved
<http://www.phoenixcontact.com>

PHOENIX CONTACT GmbH & Co. KG
Flachsmarktstr. 8
32825 Blomberg
Germany
Tel. +49 5235 300
Fax +49 5235 3 41200
<http://www.phoenixcontact.com>