

## EMC filter - NEF 1- 6 - 2783082

Please be informed that the data shown in this PDF Document is generated from our Online Catalog. Please find the complete data in the user's documentation. Our General Terms of Use for Downloads are valid (<http://phoenixcontact.com/download>)




Mains interference filter, with universal foot for mounting on NS 32 and NS 35/7.5, nominal current: 6 A

### Your advantages

- For single-phase circuits
- DIN rail module



### Key Commercial Data

Packing unit	5 pc
GTIN	 4 017918 069803
GTIN	4017918069803

### Technical data

#### Dimensions

Height	79.4 mm
Width	40 mm
Depth	90.2 mm

#### Ambient conditions

Ambient temperature (operation)	-25 °C ... 100 °C (HMF)
Degree of protection	IP20

#### General

Housing material	PA
Flammability rating according to UL 94	V-2
Color	black
Standards for clearances and creepage distances	VDE 0110-1
Mounting type	DIN rail: 35 mm
Type	DIN rail module, one-piece

# EMC filter - NEF 1- 6 - 2783082

## Technical data

### General

Number of positions	2
Direction of action	1L-N & N-PE

### Protective circuit

Maximum continuous voltage $U_C$	264 V AC (L-N)
	264 V AC (L-PE)
Nominal frequency $f_N$	50 Hz (60 Hz)
Rated current	6 A (40 °C)
Operating effective current $I_C$ at $U_C$	$\leq 0.25$ mA
Residual current $I_{PE}$	$\leq 0.5$ mA
Input attenuation aE, sym.	$> 70$ dB (50 $\Omega$ / 1 MHz)
Input attenuation aE, asym.	$> 40$ dB (50 $\Omega$ / 1 MHz)
Capacity	2x 470 nF (X2)
	2x 2.2 nF (Y2)
Inductivity in series	2x 2.7 mH (with current compensation)
Max. required back-up fuse	6.3 A (gL/C)

### Connection data

Connection method	Screw connection
Connection method IN	Screw terminal blocks
Connection method OUT	Screw terminal blocks
Screw thread	M3
Tightening torque	0.8 Nm
Stripping length	8 mm
Conductor cross section flexible	0.2 mm <sup>2</sup> ... 2.5 mm <sup>2</sup>
Conductor cross section solid	0.2 mm <sup>2</sup> ... 4 mm <sup>2</sup>
Conductor cross section AWG	24 ... 12

### Standards and Regulations

Standards/specifications	IEC 60939-2
	EN 60939-2
	IEC 60664-1

### Protective circuit, filter

Discharge resistance	1 M $\Omega$
----------------------	--------------

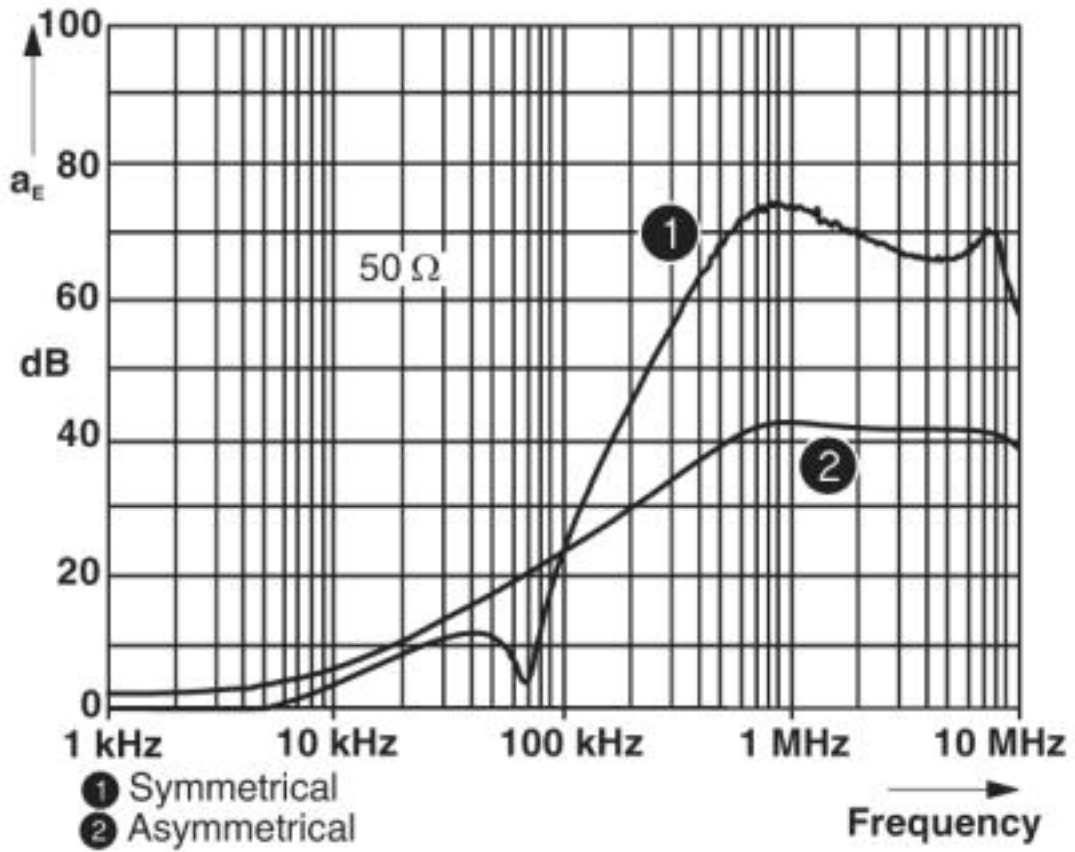
### Environmental Product Compliance

REACH SVHC	Lead 7439-92-1
China RoHS	Environmentally Friendly Use Period = 50 years
	For details about hazardous substances go to tab "Downloads", Category "Manufacturer's declaration"

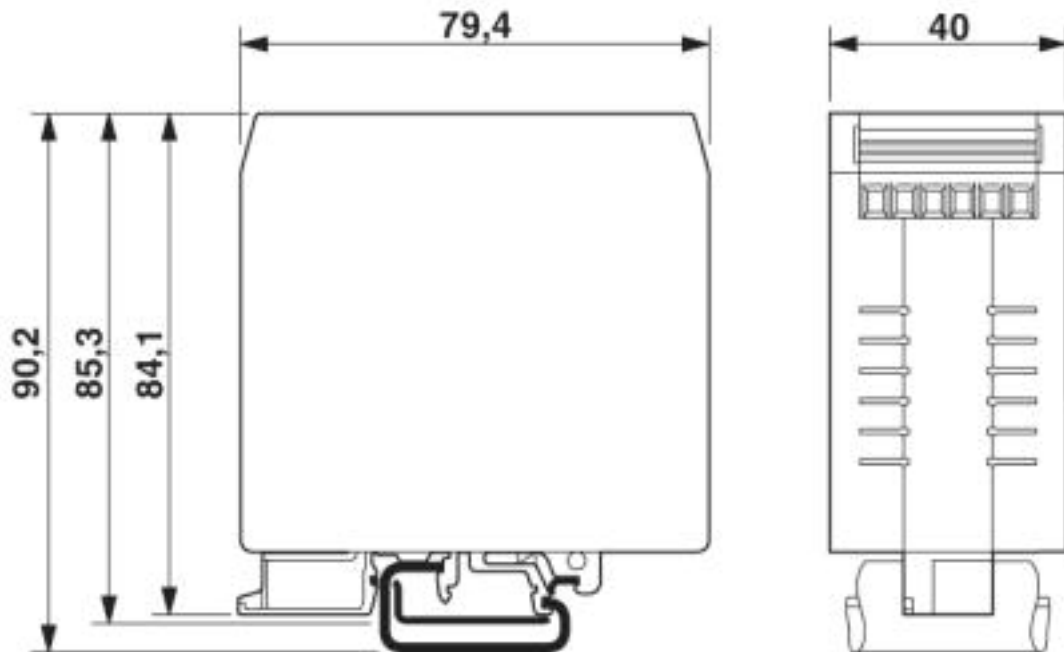
## Drawings

# EMC filter - NEF 1- 6 - 2783082

Diagram

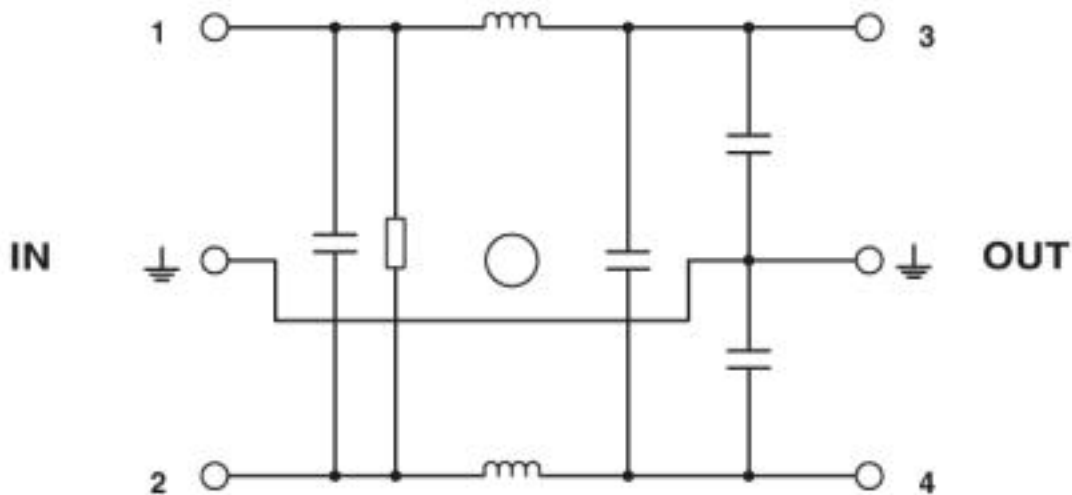


Dimensional drawing



# EMC filter - NEF 1- 6 - 2783082

Circuit diagram



## Classifications

eCl@ss

eCl@ss 10.0.1	27130806
eCl@ss 4.0	27130800
eCl@ss 4.1	27130800
eCl@ss 5.0	27130800
eCl@ss 5.1	27130800
eCl@ss 6.0	27130800
eCl@ss 7.0	27130806
eCl@ss 8.0	27130806
eCl@ss 9.0	27130806

ETIM

ETIM 2.0	EC000942
ETIM 3.0	EC000942
ETIM 4.0	EC000942
ETIM 5.0	EC000942
ETIM 6.0	EC000942
ETIM 7.0	EC000942

UNSPSC

UNSPSC 6.01	30212010
UNSPSC 7.0901	39121610
UNSPSC 11	39121610
UNSPSC 12.01	39121610
UNSPSC 13.2	39121620
UNSPSC 18.0	39121620
UNSPSC 19.0	39121620

# EMC filter - NEF 1- 6 - 2783082

## Classifications

### UNSPSC

UNSPSC 20.0	39121620
UNSPSC 21.0	39121620

## Approvals

### Approvals

#### Approvals

GL / GL-SW / VDE Zeichengenehmigung / EAC / EAC / GL

#### Ex Approvals

### Approval details

GL		<a href="https://approvalfinder.dnvgl.com/">https://approvalfinder.dnvgl.com/</a>	2427504 HH
----	--	---	------------

GL-SW			2427504 HH
-------	--	--	------------

VDE Zeichengenehmigung		<a href="http://www2.vde.com/de/Institut/Online-Service/VDE-gepruefteProdukte/Seiten/Online-Suche.aspx">http://www2.vde.com/de/Institut/Online-Service/VDE-gepruefteProdukte/Seiten/Online-Suche.aspx</a>	40008521
Nominal voltage UN		250 V	
Nominal current IN		6 A	
mm <sup>2</sup> /AWG/kcmil		2.5	

EAC			EAC-Zulassung
-----	--	--	---------------

EAC			RU C- DE.A*30.B01561
-----	--	--	-------------------------

GL			
----	--	--	--

Phoenix Contact 2020 © - all rights reserved  
<http://www.phoenixcontact.com>

PHOENIX CONTACT GmbH & Co. KG  
Flachmarktstr. 8  
32825 Blomberg  
Germany  
Tel. +49 5235 300  
Fax +49 5235 3 41200  
<http://www.phoenixcontact.com>