

D-SUB bus connector - SUBCON 15/F-SH - 2761596

Please be informed that the data shown in this PDF Document is generated from our Online Catalog. Please find the complete data in the user's documentation. Our General Terms of Use for Downloads are valid (<http://phoenixcontact.com/download>)



D-SUB connector, 15-pos. female connector, one cable entry < 35°, universal type for all systems, pin assignment: 1, 2, 3, ..., 14, 15 to screw connection terminal block

Product Description

The 9-pos. version of the SUBCON-... connector range is not just suitable for INTERBUS, but is positively ideal. A whole host of further applications are opened up by having all the connections assigned to their own 1 mm² screw terminal block.

The range covers SUBCON plugs for point-to-point connections with a cable infed in 9, 15 and 25-pos. male or female versions.


The optional fastening screw SUBCON-SHORT-SCREW is available as an accessory for narrow installation conditions. The screw is completely integrated into the housing by not having a knurl.

Your advantages

- ✓ Easy assembly thanks to knurled screws
- ✓ Flexibility in terms of cable entry selection
- ✓ Assembly under field conditions
- ✓ High level of EMC
- ✓ For universal use
- ✓ Change to the D-SUB orientation through a reversible connection block



Key Commercial Data

Packing unit	1 pc
GTIN	 4 017918 104818
GTIN	4017918104818
Sales Key	07

Technical data

Dimensions

Max. cable diameter	10 mm
Min. cable diameter	4 mm
Width	16 mm
Height	55 mm
Length	65 mm

D-SUB bus connector - SUBCON 15/F-SH - 2761596

Technical data

Ambient conditions

Ambient temperature (operation)	-20 °C ... 75 °C
Ambient temperature (storage/transport)	-25 °C ... 80 °C
Altitude	≤ 5000 m (For restrictions, see the manufacturer's declaration for altitude operation)
Degree of protection	IP20
	IP20

General

Nominal voltage U_N	50 V DC
Nominal current I_N	100 mA
Signal	Modbus
Insertion/withdrawal cycles	> 200
SUBCON fixing screws	4-40 UNC
Tightening torque	0.4 Nm
Housing material	ABS, metal-plated
Pin assignment	All connections are 1:1 on the screw terminal block
MTTF	6706 Years (SN 29500 standard, temperature 25°C, operating cycle 21%)
	1817 Years (SN 29500 standard, temperature 40°C, operating cycle 34.25%)
	155 Years (SN 29500 standard, temperature 40°C, operating cycle 100%)

Connection data

Connection	D-SUB connection
Number of positions	15
Connection method	D-SUB socket
Connection	PCB connection
Connection method	Screw connection
Conductor cross section flexible min.	0.14 mm ²
Conductor cross section flexible max.	1 mm ²
Conductor cross section solid min.	0.14 mm ²
Conductor cross section solid max.	1.5 mm ²
Min. AWG conductor cross section, flexible	26
Max. AWG conductor cross section, flexible	18
Conductor cross section AWG min.	26
Conductor cross section AWG max.	16
Stripping length	5 mm
Tightening torque	0.4 Nm

Conformance/approvals

Designation	EAC
Identification	EAC
Designation	ATEX

D-SUB bus connector - SUBCON 15/F-SH - 2761596

Technical data

Conformance/approvals

Identification	# II 3 G Ex nA IIC T4 Gc X
Additional text	Please follow the special installation instructions in the documentation!
Designation	Corrosive gas test
Identification	ISA-S71.04-1985 G3 Harsh Group A

Standards and Regulations

Free from substances that could impair the application of coating	according to P-VW 3.10.7 57 65 0 VW-AUDI-Seat central standard
Connection in acc. with standard	CUL

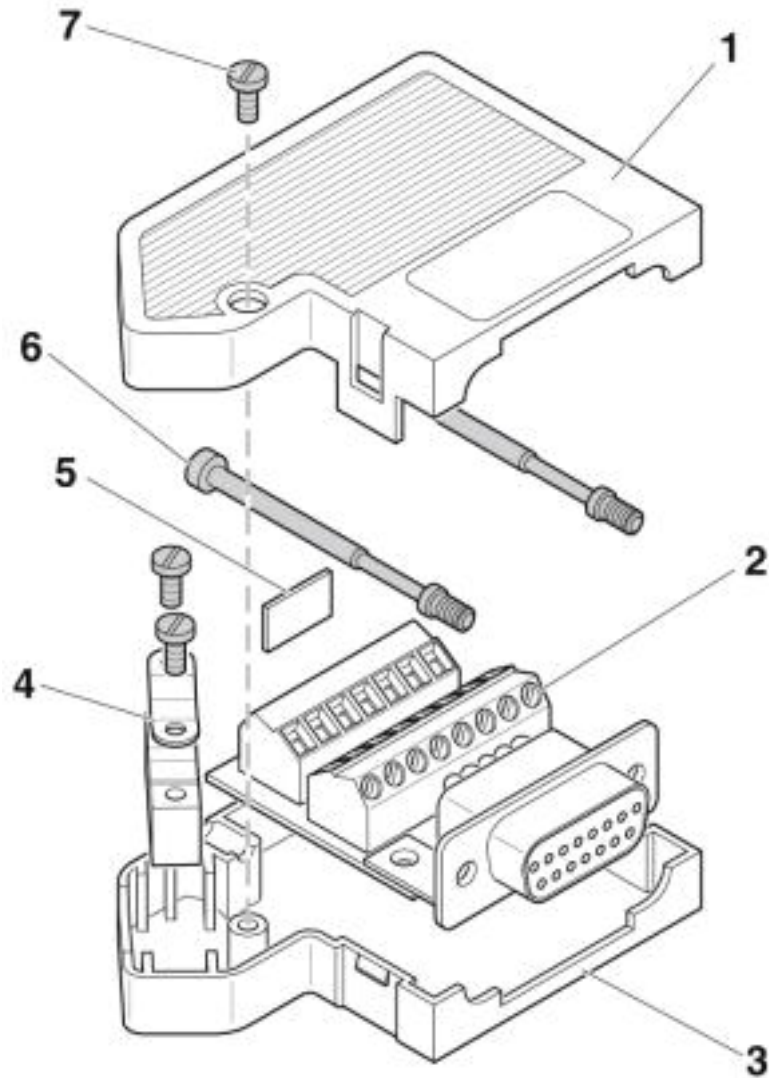
Environmental Product Compliance

REACH SVHC	Lead 7439-92-1
China RoHS	Environmentally Friendly Use Period = 50 years
	For details about hazardous substances go to tab "Downloads", Category "Manufacturer's declaration"

Drawings

D-SUB bus connector - SUBCON 15/F-SH - 2761596

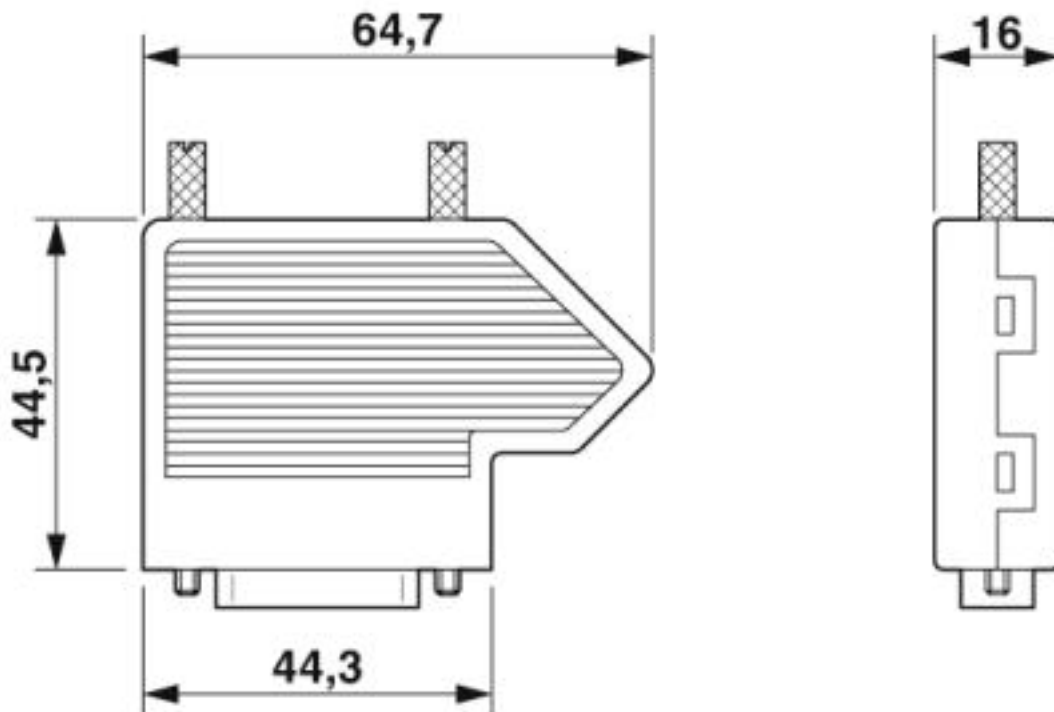
Schematic diagram



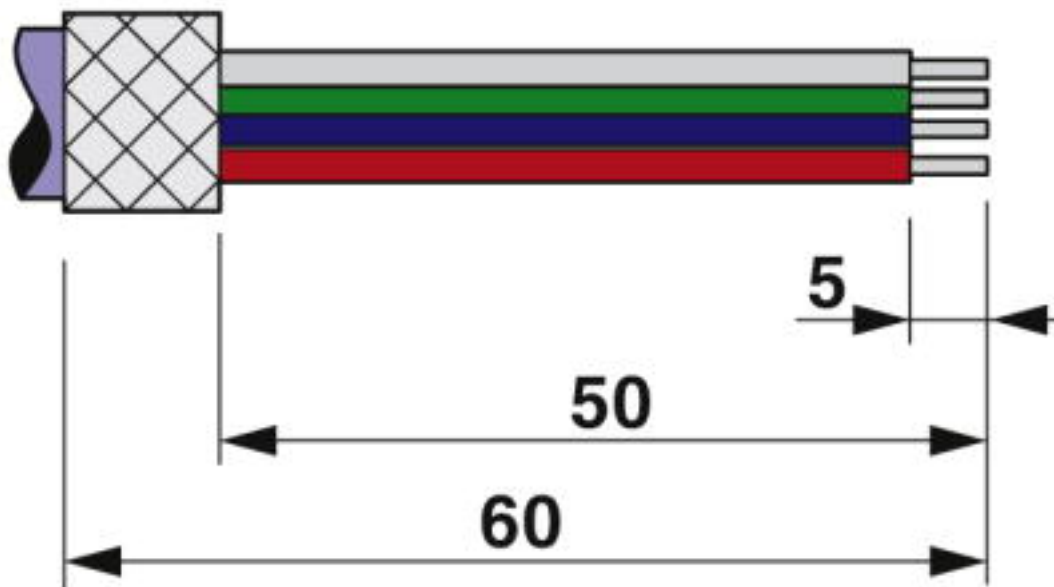
Function elements

D-SUB bus connector - SUBCON 15/F-SH - 2761596

Dimensional drawing



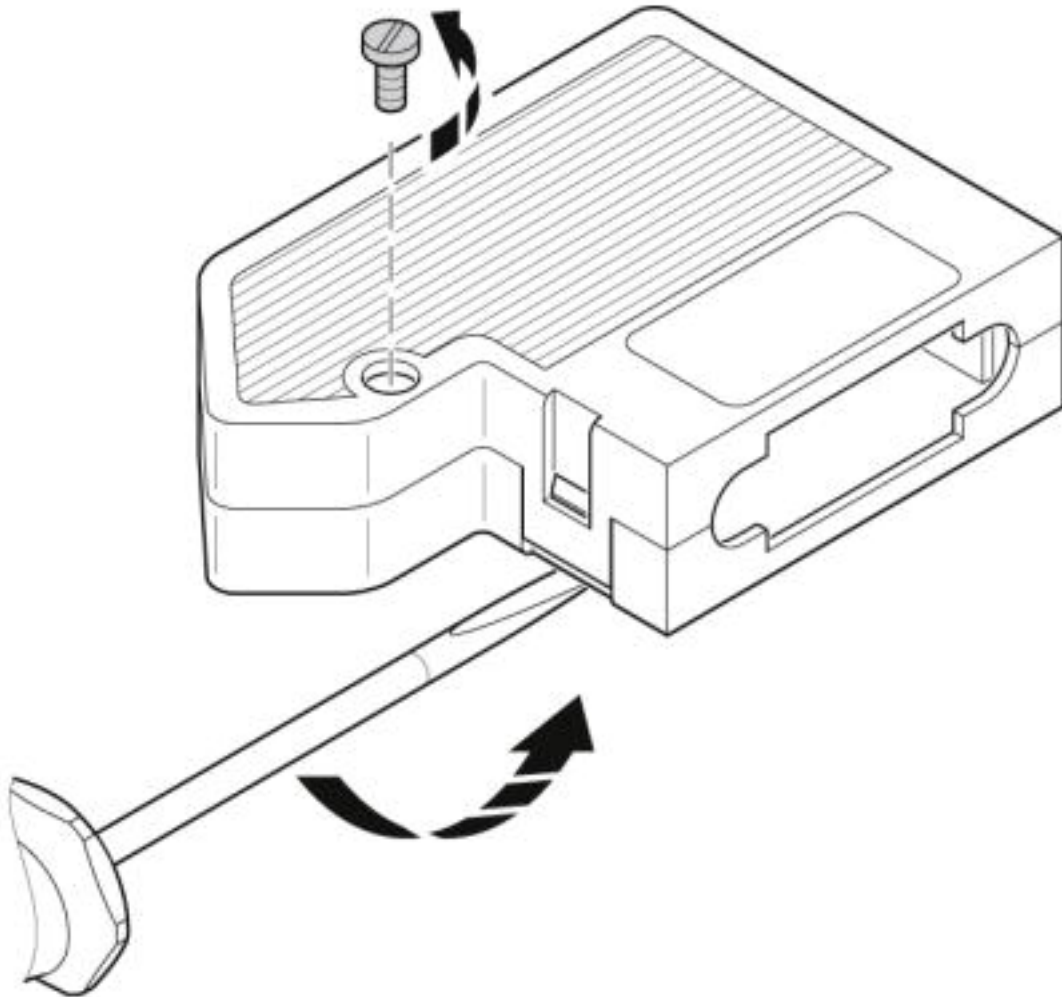
Schematic diagram



Stripping specifications

D-SUB bus connector - SUBCON 15/F-SH - 2761596

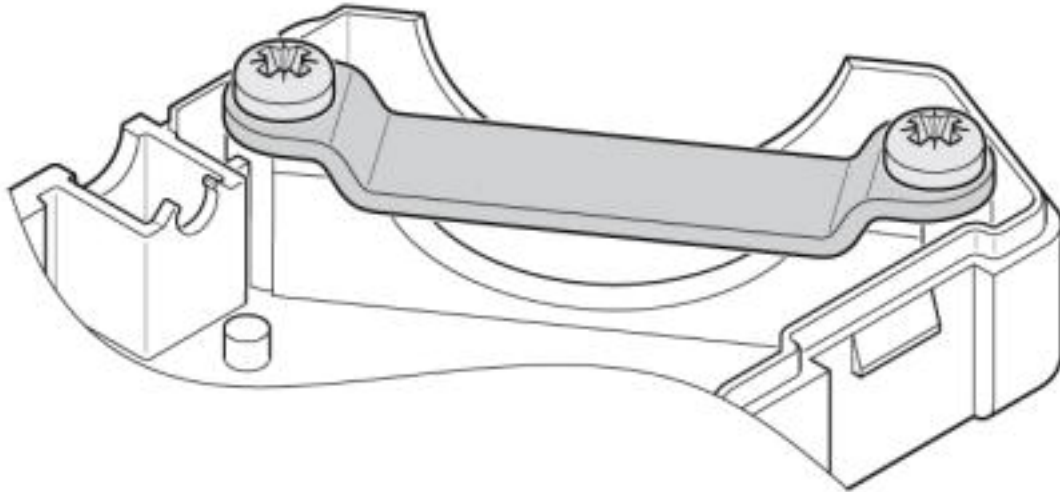
Schematic diagram



Opening the housing

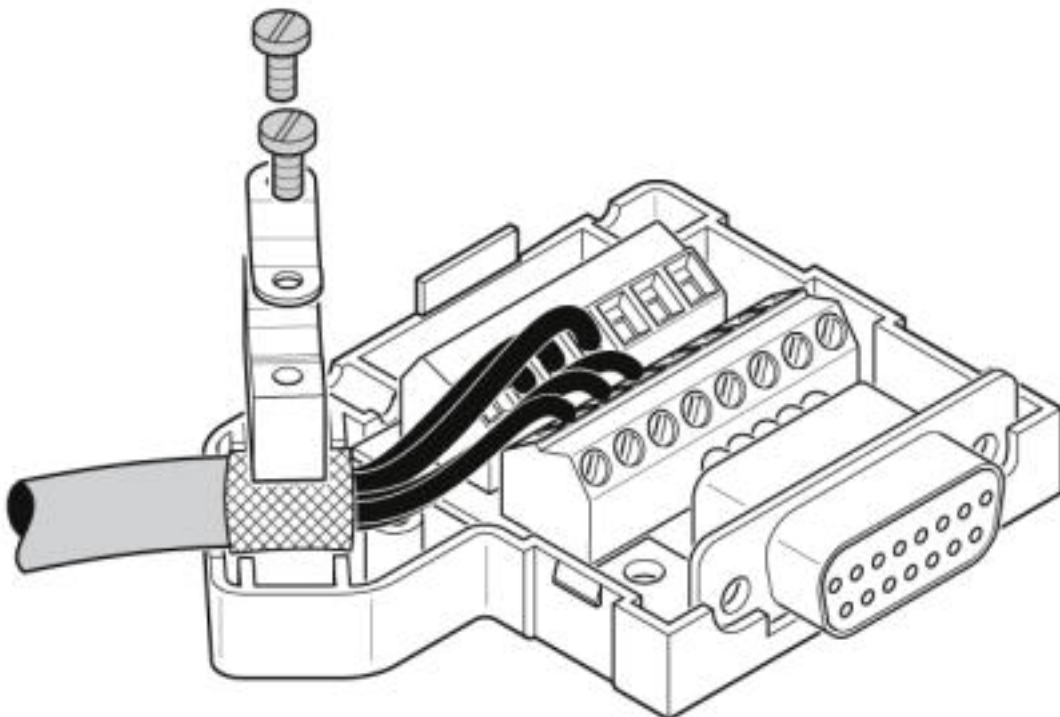
D-SUB bus connector - SUBCON 15/F-SH - 2761596

Schematic diagram



Clip bracket

Schematic diagram



Connection of the cables

D-SUB bus connector - SUBCON 15/F-SH - 2761596

Classifications

eCl@ss

eCl@ss 10.0.1	27440302
eCl@ss 4.0	27140800
eCl@ss 4.1	27140800
eCl@ss 5.0	27143400
eCl@ss 5.1	27143400
eCl@ss 6.0	27143400
eCl@ss 7.0	27440302
eCl@ss 8.0	27440302
eCl@ss 9.0	27440302

ETIM

ETIM 2.0	EC001132
ETIM 3.0	EC001132
ETIM 4.0	EC001132
ETIM 5.0	EC001132
ETIM 6.0	EC001132
ETIM 7.0	EC001132

UNSPSC

UNSPSC 6.01	30211802
UNSPSC 7.0901	39121402
UNSPSC 11	39121402
UNSPSC 12.01	39121402
UNSPSC 13.2	39121522
UNSPSC 18.0	39121522
UNSPSC 19.0	39121522
UNSPSC 20.0	39121522
UNSPSC 21.0	39121522

Approvals

Approvals

Approvals

CSA / UL Recognized / cUL Recognized / EAC / cULus Recognized

Ex Approvals

ATEX

Approval details

D-SUB bus connector - SUBCON 15/F-SH - 2761596

Approvals

CSA		http://www.csagroup.org/services-industries/product-listing/	2437602
UL Recognized		http://database.ul.com/cgi-bin/XYV/template/LISEXT/1FRAME/index.htm	FILE E 238705
cUL Recognized		http://database.ul.com/cgi-bin/XYV/template/LISEXT/1FRAME/index.htm	FILE E 238705
EAC			EAC-Zulassung
cULus Recognized			

Accessories

Accessories

Data plug

D-SUB bus connector - SUBCON 15/M-SH - 2761606



D-SUB connector, 15-pos, male connector, one cable entry < 35°, universal type for all systems, pin assignment: 1, 2, 3, ..., 14, 15 to screw connection terminal block

D-SUB gender changer - VS-15-GC-ST/ST - 1652677



D-SUB contact insert, shell size 2, with 15 signal contacts, type of contact pin, gender changer, fixing with 4-40 UNC thread

D-SUB bus connector - SUBCON 15/F-SH - 2761596

Accessories

D-SUB gender changer - VS-15-GC-BU/BU - 1652664



D-SUB contact insert, shell size 2, with 15 signal contacts, type of contact socket, gender changer, fixing with 4-40 UNC thread

Mounting material

Screw - SUBCON-SHORT-SCREW - 2799694



Optional mounting screw, without knurl for narrow installation conditions, slotted head, length: 40 mm, UNC 4-40 thread Supplied as standard: 1 bag of 20 screws

Screw - SUBCON-RAENDEL-SCREW-3MM - 2310387



Optional mounting screw, with knurl for mounting by hand or using a screwdriver, bladed, length: 56 mm, metric M3 thread

Screwdriver tools

Screwdriver - SZF 0-0,4X2,5 - 1204504



Actuation tool, for ST terminal blocks, also suitable for use as a bladed screwdriver, size: 0.4 x 2.5 x 75 mm, 2-component grip, with non-slip grip