

# Antenna - PSI-GSM-STUB-ANT - 2313342


Please be informed that the data shown in this PDF Document is generated from our Online Catalog. Please find the complete data in the user's documentation. Our General Terms of Use for Downloads are valid (<http://phoenixcontact.com/download>)



Mobile communication antenna for direct mounting on the device, SMA (male) antenna connector with articulated joint. The antenna is suitable for installation in plastic control cabinets not visible from the outside.



## Key Commercial Data

Packing unit	1 pc
GTIN	 4 046356 353212
GTIN	4046356353212

## Technical data

### Dimensions

Height	86 mm
Diameter	10 mm

### Ambient conditions

Ambient temperature (operation)	-40 °C ... 105 °C
---------------------------------	-------------------

### General

With connecting cable	No
Frequency range	850 MHz 900 MHz 1800 MHz 1900 MHz 2100 MHz
Gain	typ. 0 dB
Connection method	SMA (male)
Mounting type	Direct assembly on the device interface

## Environmental Product Compliance

REACH SVHC	Lead 7439-92-1
------------	----------------

# Antenna - PSI-GSM-STUB-ANT - 2313342

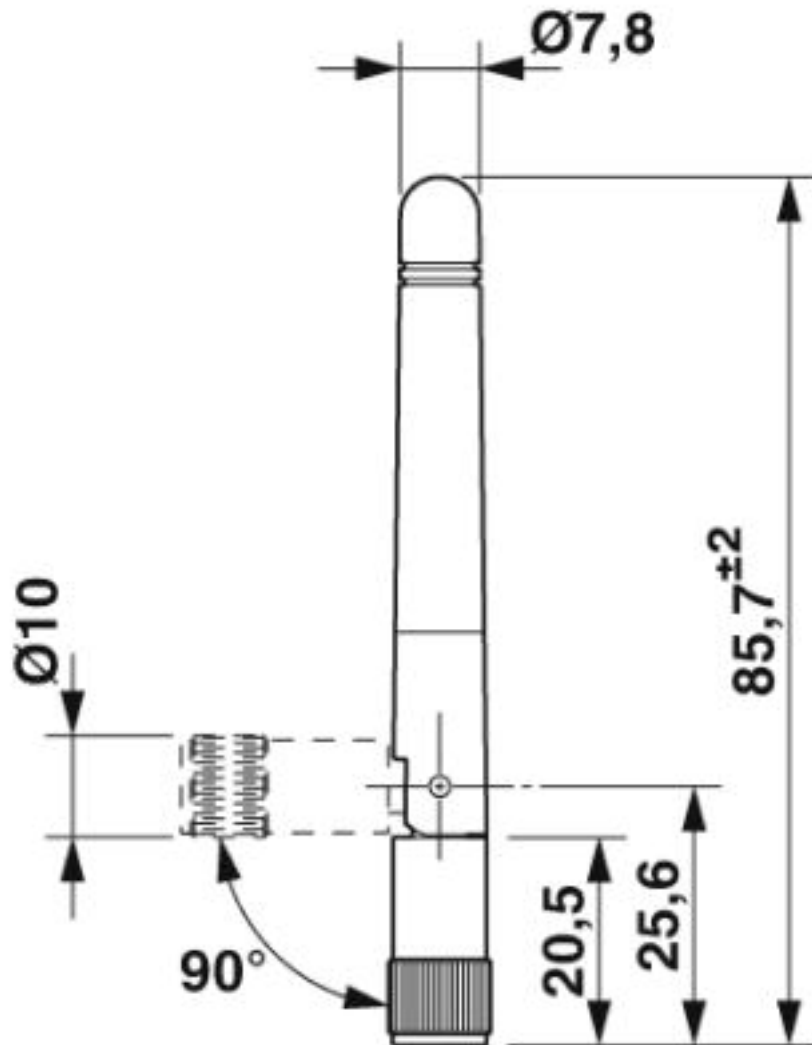
## Technical data

### Environmental Product Compliance

China RoHS	Environmentally friendly use period: unlimited = EFUP-e
	No hazardous substances above threshold values

## Drawings

Dimensional drawing



## Classifications

eCl@ss

eCl@ss 10.0.1	19070105
eCl@ss 4.0	27060800
eCl@ss 4.1	27060800

## Antenna - PSI-GSM-STUB-ANT - 2313342

### Classifications

#### eCl@ss

eCl@ss 5.0	27061800
eCl@ss 5.1	27061800
eCl@ss 6.0	27061800
eCl@ss 7.0	19070105
eCl@ss 8.0	19070105
eCl@ss 9.0	19070105

#### ETIM

ETIM 2.0	EC000416
ETIM 3.0	EC000416
ETIM 4.0	EC000416
ETIM 5.0	EC001698
ETIM 6.0	EC001698
ETIM 7.0	EC001698

#### UNSPSC

UNSPSC 6.01	43171611
UNSPSC 7.0901	43221706
UNSPSC 11	43171611
UNSPSC 12.01	43221706
UNSPSC 13.2	43221715
UNSPSC 18.0	43221715
UNSPSC 19.0	43221715
UNSPSC 20.0	43221715
UNSPSC 21.0	43221715

Phoenix Contact 2020 © - all rights reserved  
<http://www.phoenixcontact.com>

PHOENIX CONTACT GmbH & Co. KG  
Flachsmarktstr. 8  
32825 Blomberg  
Germany  
Tel. +49 5235 300  
Fax +49 5235 3 41200  
<http://www.phoenixcontact.com>