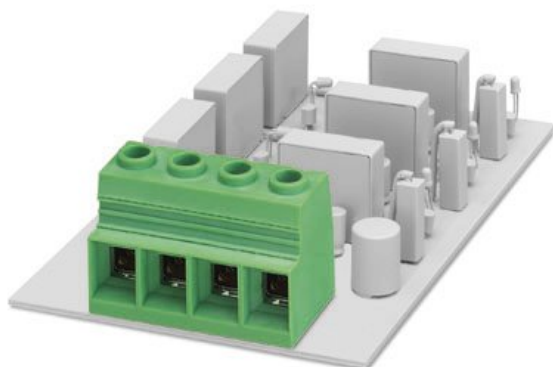


Please note that the data given here has been taken from the online catalog. For comprehensive information and data, please refer to the user documentation at <http://www.download.phoenixcontact.com>. The General Terms and Conditions of Use apply to Internet downloads.

## ► Extract from the online catalog



Printed circuit terminal block, nominal current: 125 A, rated voltage: 1000 V, pitch: 15.0 mm, no. of positions: 6, mounting: Soldering, type of connection: Screw connection, connection direction from the conductor to the PCB: 0°

The illustration shows a 4-position version

Order No.	1932627
Ord designation	MKDSP 25/ 6-15,00
EAN	4017918902124
Pack	25 Pcs.
Customs tariff	85369010
Catalog page information	Page 245 (CC-2005)

## ► Technical data

### Dimensions / positions

Pitch	15 mm
Number of positions	6
Pin dimensions	1,2 x 1,2 mm
Hole diameter	1.6 mm
Screw thread	M 5
Tightening torque, min	2.5 Nm

---

**Technical data**

Insulating material group	I
Rated voltage (III/2)	1000 V
Rated voltage (II/2)	1000 V
Connection in acc. with standard	EN-VDE
Nominal current $I_N$	125 A
Nominal voltage $U_N$	1000 V
Nominal cross section	25 mm <sup>2</sup>
Maximum load current	125 A (with 35 mm <sup>2</sup> conductor cross section)
Insulating material	PA
Inflammability class acc. to UL 94	V0
Internal cylindrical gage	B7
Stripping length	18 mm

---

**Connection data**

Conductor cross section, rigid min.	0.5 mm <sup>2</sup>
Conductor cross section, rigid max.	35 mm <sup>2</sup>
Conductor cross section flexible min.	0.5 mm <sup>2</sup>
Conductor cross section, flexible max.	25 mm <sup>2</sup>
Conductor cross section flexible, with ferrule without plastic sleeve min.	1 mm <sup>2</sup>
Conductor cross section flexible, with ferrule without plastic sleeve max.	25 mm <sup>2</sup>
Conductor cross section flexible, with ferrule with plastic sleeve min.	1.5 mm <sup>2</sup>
Conductor cross section flexible, with ferrule with plastic sleeve max.	25 mm <sup>2</sup>
Conductor cross section AWG/kcmil min.	20
Conductor cross section AWG/kcmil max	2
2 conductors with same cross section, solid min.	0.5 mm <sup>2</sup>
2 conductors with same cross section, solid max.	6 mm <sup>2</sup>
2 conductors with same cross section, flexible, min.	0.5 mm <sup>2</sup>
2 conductors with same cross section, flexible max.	6 mm <sup>2</sup>
2 conductors with same cross section, flexible, ferrules without plastic sleeve min.	0.5 mm <sup>2</sup>
2 conductors with same cross section, flexible, ferrules without plastic sleeve, max.	4 mm <sup>2</sup>
2 conductors with same cross section, flexible, TWIN ferrules with plastic sleeve, min.	0.5 mm <sup>2</sup>
2 conductors with identical cross section, flexible TWIN ferrules with plastic sleeve, max.	6 mm <sup>2</sup>

---

## ► Certificates

---

### **CUL**

Nominal voltage $U_N$	600 V
Nominal current $I_N$	125 A
AWG/kcmil	20-10
Nominal voltage $U_N$	600 V
Nominal current $I_N$	125 A
AWG/kcmil	8-2

---

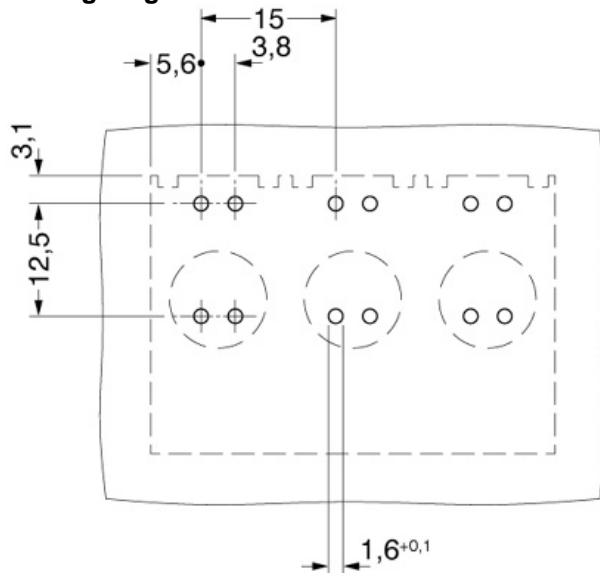
### **UL**

Nominal voltage $U_N$	600 V
Nominal current $I_N$	125 A
AWG/kcmil	20-10
Nominal voltage $U_N$	600 V
Nominal current $I_N$	125 A
AWG/kcmil	8-2

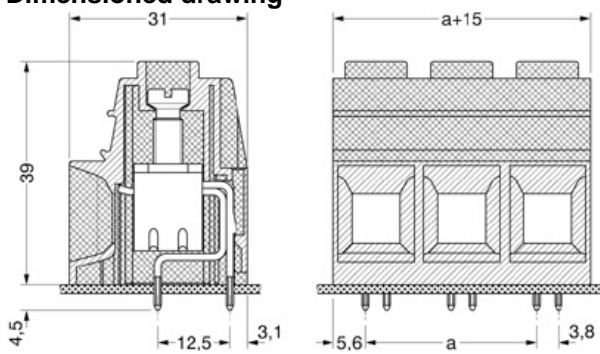
---

► Drawings

Drilling diagram



Dimensioned drawing



Approval logo



---

**► Accessories**

---

Item	Designation	Description
<b>Marking</b>		
0811192	SK 15/5:UNBEDRUCKT	Marker card, unprinted, with 12 pcs., 10-section marker strips, self-adhesive, color: White
0811202	ZBF 15:UNBEDRUCKT	Zack strip, flat, unprinted, 10-section, divisible, for labeling by the customer
<b>Plug/Adapter</b>		
0201647	RPS	Reducing plug, for transition from 4 mm diameter test plug socket, insulation: gray
<b>Tools</b>		
1205079	SZS 1,0X6,5	Screwdriver, bladed, matches all screw terminal blocks with a connection cross section of over 16 mm <sup>2</sup> , blade: 1.0 x 6.5 mm

---

---

## ► Address

---

PHOENIX CONTACT GmbH & Co. KG  
Flachsmarktstr. 8  
32825 Blomberg  
Germany  
Phone +49 5235 3 00  
Fax +49 5235 3 1200  
<http://www.phoenixcontact.com>  
Phoenix Contact  
Technical modifications reserved;