

Contact insert - HC-K 4/8-ESTS - 1679333

Please be informed that the data shown in this PDF Document is generated from our Online Catalog. Please find the complete data in the user's documentation. Our General Terms of Use for Downloads are valid (<http://phoenixcontact.com/download>)



HEAVYCON male insert, K4/8 series, for 4 power and 8 control contacts, screw connection without wire protection



COMPLIANT

Key Commercial Data

| | |
|--------------|---------------|
| Packing unit | 1 pc |
| GTIN | |
| GTIN | 4017918163570 |

Technical data

General

| | |
|-------------------------|--|
| Note | For housing HC-B24 |
| | Connectors may be operated only when there is no load/voltage. |
| Connection method | Screw connection (power contacts) |
| | Screw connection (control contacts) |
| Tightening torque | 2 Nm (Power contact, 2.5 mm ²) |
| | 3 Nm (Power contact, 4 ... 16 mm ²) |
| | 0.5 Nm (control contacts) |
| | 1.2 Nm (Power contact, 1.5 mm ²) |
| Torque | 0.8 Nm ... 1.2 Nm (PE connection) |
| | 0.5 Nm ... 0.8 Nm (Mounting screws for mounting in the HEAVYCON housing) |
| Screwdriver blade | 0.8 x 4.5 mm (power contacts) |
| | 0.5 x 3.5 mm (control contacts) |
| Degree of pollution | 3 |
| Overvoltage category | III |
| Number of positions | 4+8+2PE |
| No. of power contacts | 4 |
| No. of control contacts | 8 |

Contact insert - HC-K 4/8-ESTS - 1679333

Technical data

General

| | |
|---|---|
| Insertion/withdrawal cycles | ≥ 500 |
| Size | B24 |
| | B48 |
| Contact numbering | 1 - 4 |
| Conductor cross section | 1.5 mm ² ... 16 mm ² (power contacts) |
| | 0.5 mm ² ... 2.5 mm ² (control contacts) |
| Connection cross section AWG | 16 ... 6 (power contacts) |
| | 20 ... 14 (control contacts) |
| Stripping length of the individual wire | 14 mm (Power contact) |
| | 7 mm (control contact) |
| Assembly instructions | To ensure correct use, installation in housing with IP54 protection or better is required |
| Connection | Use wire end protection (screw connections do not have wire protection) |

Ambient conditions

| | |
|---------------------------------|-------------------|
| Ambient temperature (operation) | -40 °C ... 125 °C |
|---------------------------------|-------------------|

Material data

| | |
|--|---|
| Contact material | Copper alloy |
| Contact surface material | Ag (alternatively Au) |
| Material of contact surface, power contact | Ag |
| Material of contact surface, control contact | Ag |
| Contact carrier material | PA |
| Standards/regulations | PC: Fire protection in rail vehicles - requirement sets R22, R23, and R24 acc. to DIN EN 45545-2 (Risk level HL1 - HL3) |

Electrical characteristics

| | |
|-----------------------|--------------------------|
| Rated voltage (III/3) | 400 V (power contacts) |
| | 400 V (control contacts) |
| Rated surge voltage | 6 kV (power contacts) |
| | 6 kV (control contacts) |
| Rated current | 80 A (power contacts) |
| | 16 A (control contacts) |

Standards and Regulations

| | |
|--|-----|
| Connection in acc. with standard | CSA |
| Flammability rating according to UL 94 | V0 |

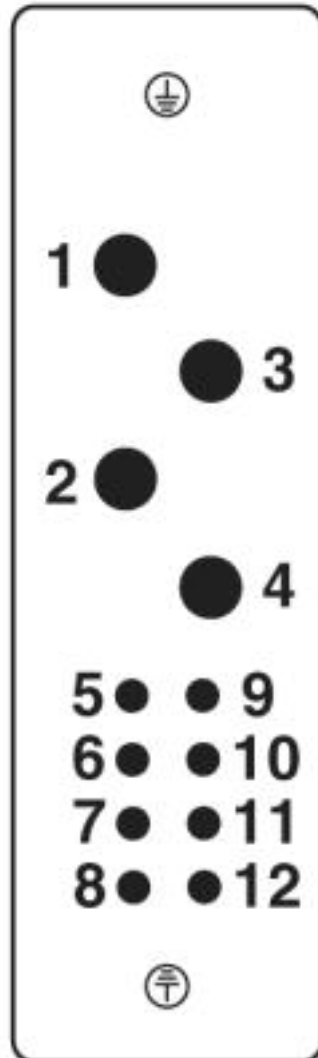
Environmental Product Compliance

| | |
|------------|---|
| China RoHS | Environmentally Friendly Use Period = 50 years |
| | For details about hazardous substances go to tab "Downloads", Category "Manufacturer's declaration" |

Drawings

Contact insert - HC-K 4/8-ESTS - 1679333

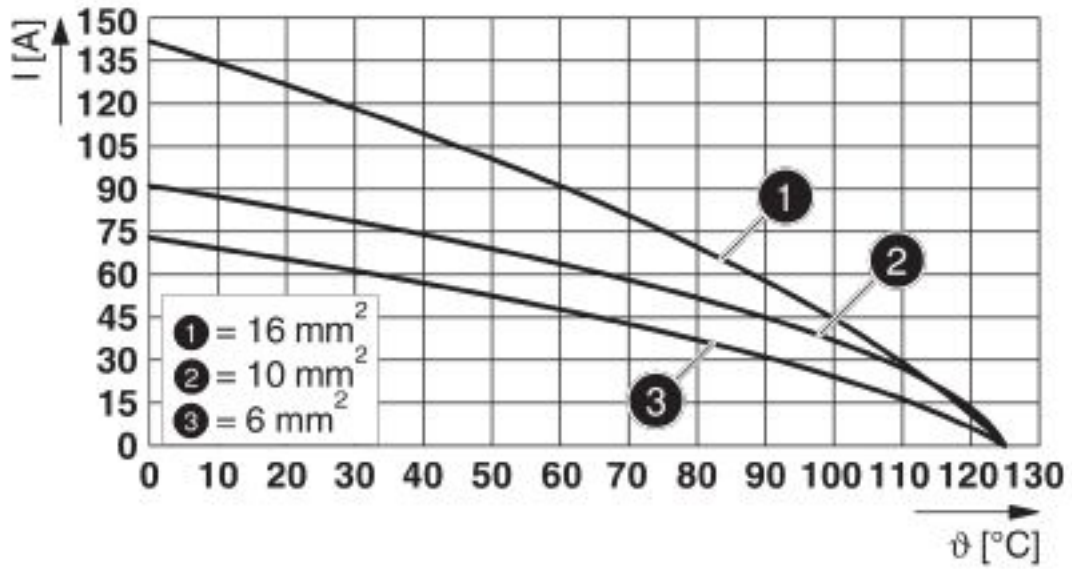
Schematic diagram



Connector pin assignment, connection side

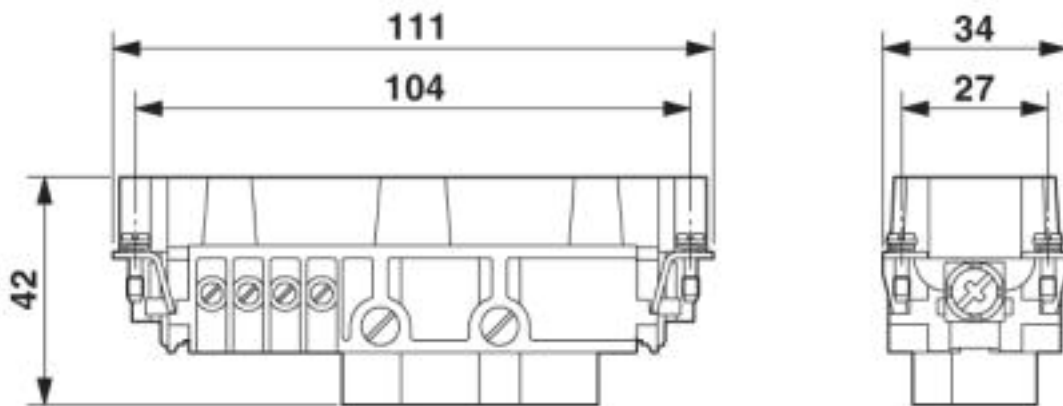
Contact insert - HC-K 4/8-ESTS - 1679333

Diagram



Derating diagram

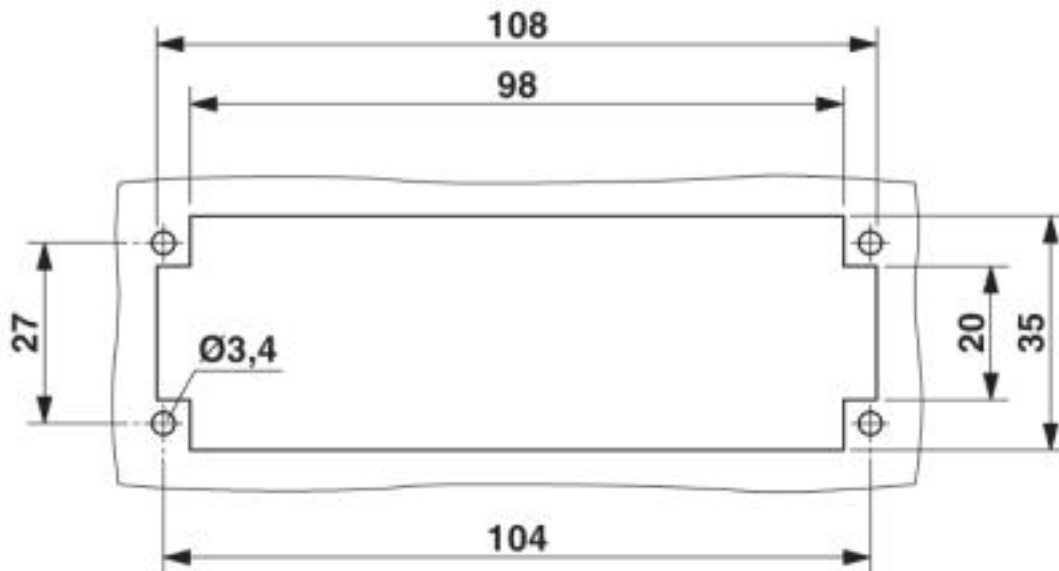
Dimensional drawing



Male insert

Contact insert - HC-K 4/8-ESTS - 1679333

Dimensional drawing



Mounting cutout when used without housing

Classifications

eCl@ss

| | |
|---------------|----------|
| eCl@ss 10.0.1 | 27440205 |
| eCl@ss 4.0 | 27140800 |
| eCl@ss 4.1 | 27140800 |
| eCl@ss 5.0 | 27143400 |
| eCl@ss 5.1 | 27261200 |
| eCl@ss 6.0 | 27261200 |
| eCl@ss 7.0 | 27440205 |
| eCl@ss 8.0 | 27440205 |
| eCl@ss 9.0 | 27440205 |

ETIM

| | |
|----------|----------|
| ETIM 2.0 | EC000438 |
| ETIM 3.0 | EC000438 |
| ETIM 4.0 | EC000438 |
| ETIM 5.0 | EC000438 |
| ETIM 6.0 | EC000438 |
| ETIM 7.0 | EC000438 |

UNSPSC

| | |
|---------------|----------|
| UNSPSC 6.01 | 30211923 |
| UNSPSC 7.0901 | 39121522 |
| UNSPSC 11 | 39121522 |

Contact insert - HC-K 4/8-ESTS - 1679333

Classifications

UNSPSC

| | |
|--------------|----------|
| UNSPSC 12.01 | 39121522 |
| UNSPSC 13.2 | 39121522 |
| UNSPSC 18.0 | 39121522 |
| UNSPSC 19.0 | 39121522 |
| UNSPSC 20.0 | 39121522 |
| UNSPSC 21.0 | 39121522 |

Approvals

Approvals

Approvals


EAC / EAC / UL Recognized

Ex Approvals

Approval details

| | | |
|-----|---|--------------------------|
| EAC |  | RU C- DE.AI30.B.01102 |
|-----|---|--------------------------|

| | | |
|-----|---|--------------------------|
| EAC |  | RU C- DE.BL08.B.00511 |
|-----|---|--------------------------|

| | | | |
|----------------------------|---|---|---------|
| UL Recognized |  | http://database.ul.com/cgi-bin/XYV/template/LISEXT/1FRAME/index.htm | E118976 |
| Nominal voltage UN | 600 V | | |
| Nominal current IN | 16 A | | |
| mm ² /AWG/kcmil | 14 | | |

Accessories

Accessories

Screwdriver tools

Contact insert - HC-K 4/8-ESTS - 1679333

Accessories

Screwdriver - SZF 2-0,8X4,0 - 1204520



Actuation tool, for ST terminal blocks, also suitable for use as a bladed screwdriver, size: 0.8 x 4.0 x 100 mm, 2-component grip, with non-slip grip

Screwdriver - SF-SL 0,6X3,5-100 S-VDE - 1212587



Actuation tool, for ST terminal blocks, VDE insulated, with slimmer insulation integrated in the blade, also suitable for use as a bladed screwdriver, size: 0.6 x 3.5 x 100 mm, 2-component grip, with non-slip grip

Additional products

Contact insert - HC-K 4/8-EBUS - 1679320



HEAVYCON female insert, K4/8 series, for 4 power and 8 control contacts, screw connection without wire protection

Phoenix Contact 2020 © - all rights reserved
<http://www.phoenixcontact.com>

PHOENIX CONTACT GmbH & Co. KG
Flachsmarktstr. 8
32825 Blomberg
Germany
Tel. +49 5235 300
Fax +49 5235 3 41200
<http://www.phoenixcontact.com>