

Panel mounting frames - VS-A-F-IP67-BK - 1658668


Please be informed that the data shown in this PDF Document is generated from our Online Catalog. Please find the complete data in the user's documentation. Our General Terms of Use for Downloads are valid (<http://phoenixcontact.com/download>)



Panel mounting frame, IP67, for Freenet system, for round panel cutout, with grommet, without mounting screws, color: black



Key Commercial Data

Packing unit	5 pc
GTIN	 4 046356 163200
GTIN	4046356163200

Technical data

Mechanical characteristics

Number of slots	1
Degree of pollution	2
Weight	6.39 g

Ambient conditions

Ambient temperature (operation)	-40 °C ... 80 °C
---------------------------------	------------------

Material data

Housing material	PA
Width	36 mm
Height	36 mm
Depth	27.5 mm

Electrical characteristics

Degree of pollution	2
---------------------	---

Standards and Regulations

Flammability rating according to UL 94	V0
--	----

Environmental Product Compliance

Panel mounting frames - VS-A-F-IP67-BK - 1658668

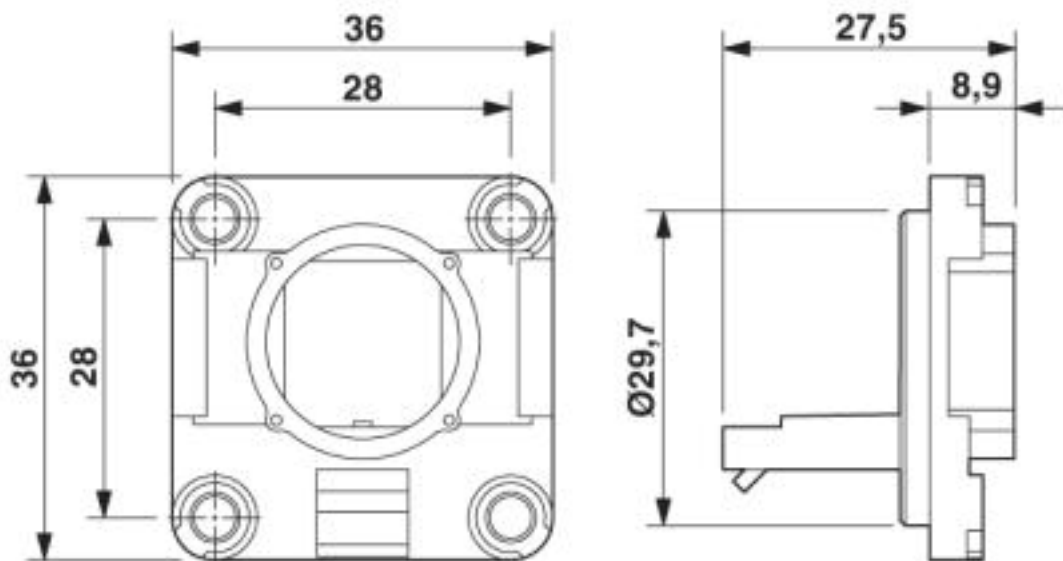
Technical data

Environmental Product Compliance

China RoHS	Environmentally friendly use period: unlimited = EFUP-e
	No hazardous substances above threshold values

Drawings

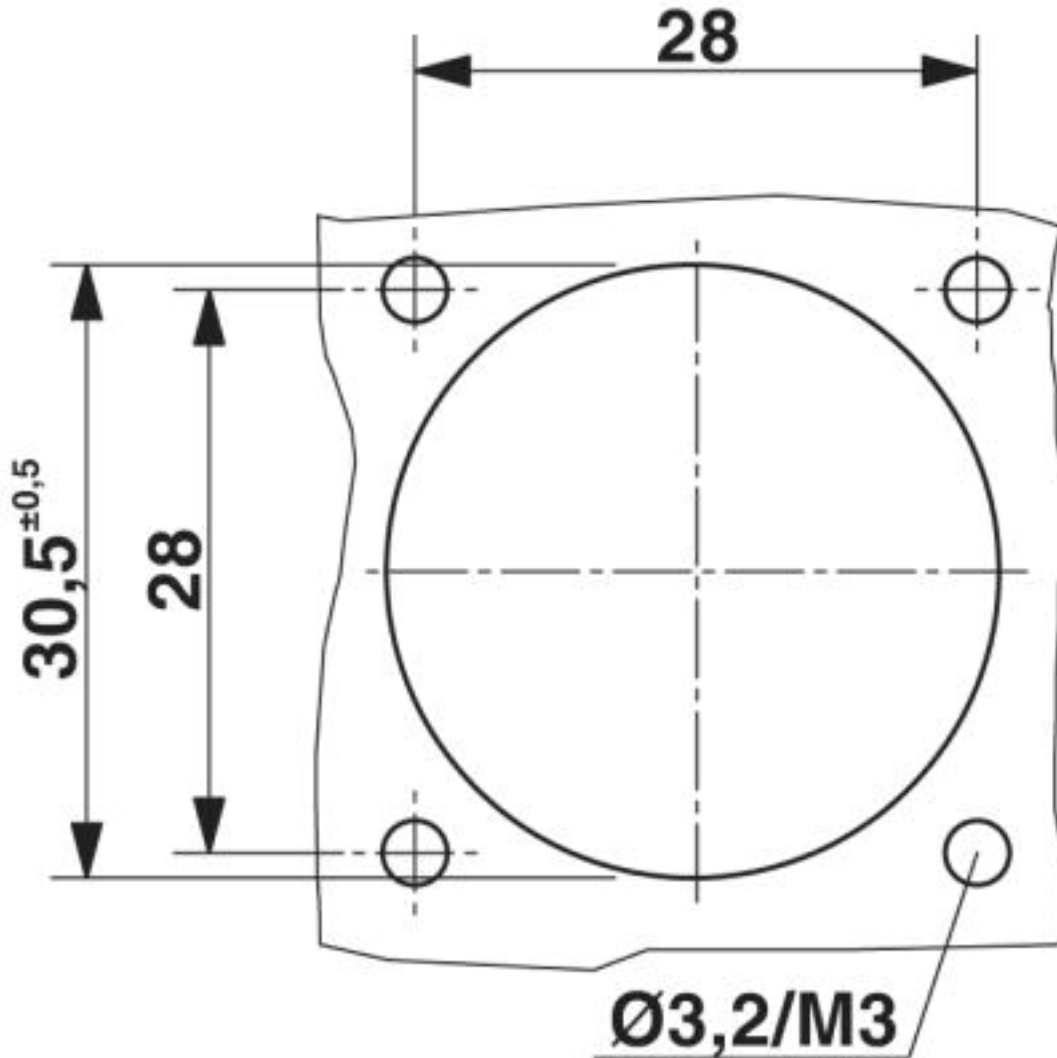
Dimensional drawing



Panel mounting frame for Freenet system

Panel mounting frames - VS-A-F-IP67-BK - 1658668

Dimensional drawing



Mounting cutout

Classifications

eCl@ss

eCl@ss 10.0.1	27440210
eCl@ss 4.0	27260700
eCl@ss 4.1	27260700
eCl@ss 5.0	27260700
eCl@ss 5.1	27260700
eCl@ss 6.0	27261200
eCl@ss 7.0	27440210
eCl@ss 8.0	27440210
eCl@ss 9.0	27440210

Panel mounting frames - VS-A-F-IP67-BK - 1658668

Classifications

ETIM

ETIM 3.0	EC001121
ETIM 4.0	EC001121
ETIM 5.0	EC002310
ETIM 6.0	EC002310
ETIM 7.0	EC002310

UNSPSC

UNSPSC 6.01	31261501
UNSPSC 7.0901	31261501
UNSPSC 11	31261501
UNSPSC 12.01	31261501
UNSPSC 13.2	39121421
UNSPSC 18.0	39121421
UNSPSC 19.0	39121421
UNSPSC 20.0	39121421
UNSPSC 21.0	39121421

Approvals


Approvals

Approvals

EAC

Ex Approvals

Approval details

EAC		B.01742
-----	---	---------

Accessories

Accessories

Female insert

Panel mounting frames - VS-A-F-IP67-BK - 1658668

Accessories

RJ45 PCB connectors - VS-08-BU-RJ45-5-F/PK - 1652936



RJ45 PCB connectors, degree of protection: IP20, number of positions: 8, CAT5 (IEC 11801:2002), material: Copper alloy, connection method: IDC, connection cross section: AWG 24- 22

USB female insert - VS-04-BUA-BUB-F/IP67 - 1653838



USB socket insert, 4-pos., socket USB type A on socket USB type B, for the Freenet system in the panel mounting frame, IP20 terminal outlet, 19" patch panel and service interface, pluggable from both directions

USB female insert - VS-04-BUA-FK-F/IP67 - 1653854



USB socket insert, 4-pos., socket USB type A on flat-ribbon cable terminal strip, pitch 2.54, for the Freenet system in the panel mounting frame, IP20 terminal outlet, 19" patch panel and service interface

USB female insert - VS-04-BUB-FK-F/IP67 - 1653867



USB socket insert, 4-pos., socket USB type B on flat-ribbon cable terminal strip, pitch 2.54, for the Freenet system in the panel mounting frame, IP20 terminal outlet, 19" patch panel and service interface

RJ45 socket insert - CUC-F-J1ZNI-S/R4IDC8 - 1418984



RJ45 socket insert, type: RJ45, degree of protection: IP20, number of positions: 8, 10 Gbps, CAT6_A, material: Zinc die-cast, connection method: IDC connection, connection cross section: AWG 26- 22, Freenet design for use with IP67 panel mounting frame and terminal outlets

Panel mounting frames - VS-A-F-IP67-BK - 1658668

Accessories

RJ45 coupling - CUC-F-D1ZNI-S/R4GCHP8 - 1086111



RJ45 coupling, degree of protection: IP20, number of positions: 8, 10 Gbps, CAT6_A, material: Zinc die-cast, connection method: 2x RJ45, Freenet design for use with IP67 panel mounting frame and terminal outlets

Fiber optics connector (device side)

SC-RJ female insert - VS-SCRJ-GOF-BU/BU - 1652978



SC-RJ socket insert, duplex, for VS-A-F-IP67 panel mounting frame, can be used for fiberglass (multi-mode and single mode), PCF, and polymer fibers

Protective cover

Protective covers - VS-08-SD - 1689200



Protective cover, IP67, tall design

Protective covers - VS-08-SD-F - 1652606



Protective cover, IP67, flat design, to cover the contact insert in the panel mounting frame, color: gray