

Panel mounting frames - VS-SCRJ-A-TC-IP67 - 1658545


Please be informed that the data shown in this PDF Document is generated from our Online Catalog. Please find the complete data in the user's documentation. Our General Terms of Use for Downloads are valid (<http://phoenixcontact.com/download>)



VS-SC-RJ panel mounting frame for transceiver from AVAGO, type: AFBR 5978Z, gray, IP65/67



Key Commercial Data

Packing unit	1 pc
GTIN	 4 046356 163095
GTIN	4046356163095

Technical data

Mechanical characteristics

Weight	8.8 g
--------	-------

Ambient conditions

Ambient temperature (operation)	-40 °C ... 80 °C
---------------------------------	------------------

Material data

Housing material	PA
------------------	----

Standards and Regulations

Flammability rating according to UL 94	V0
--	----

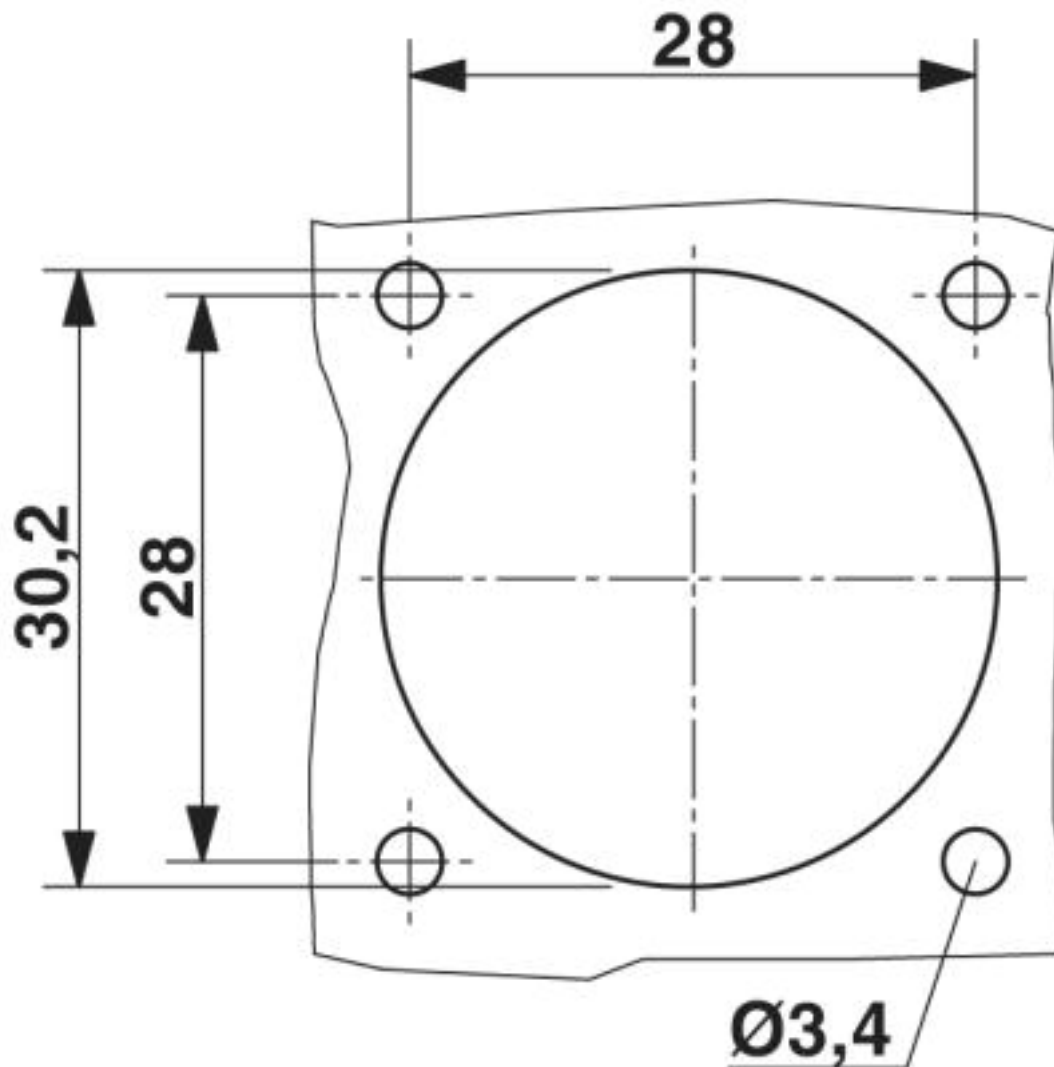
Environmental Product Compliance

China RoHS	Environmentally friendly use period: unlimited = EFUP-e
	No hazardous substances above threshold values

Drawings

Panel mounting frames - VS-SCRJ-A-TC-IP67 - 1658545

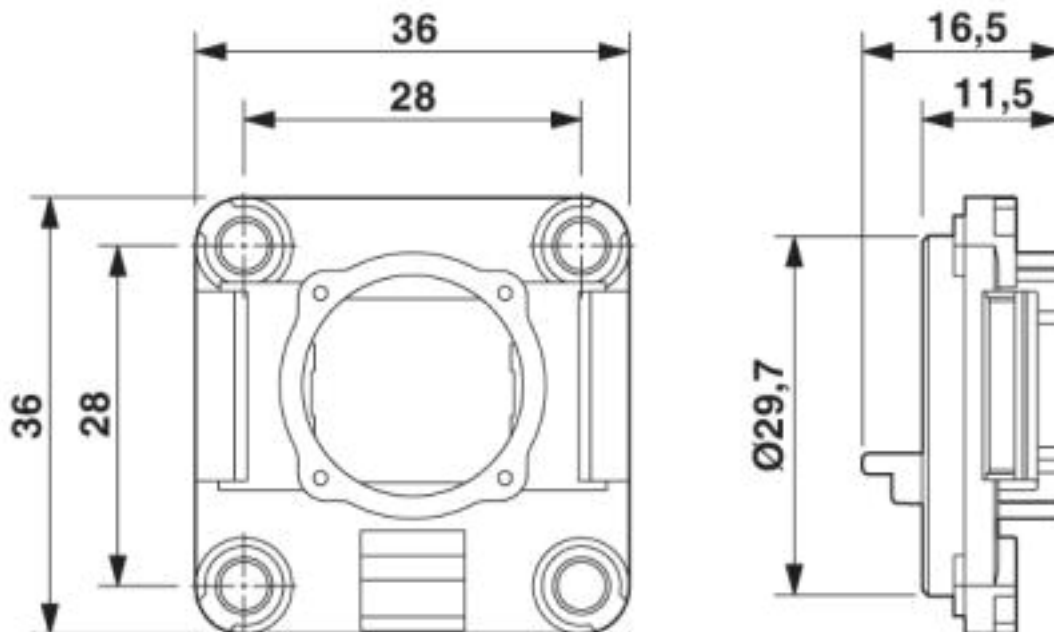
Dimensional drawing



Mounting cutout

Panel mounting frames - VS-SCRJ-A-TC-IP67 - 1658545

Dimensional drawing



Classifications

eCl@ss

eCl@ss 10.0.1	27440210
eCl@ss 4.0	27260700
eCl@ss 4.1	27260700
eCl@ss 5.0	27260700
eCl@ss 5.1	27260700
eCl@ss 6.0	27261200
eCl@ss 7.0	27440210
eCl@ss 8.0	27440210
eCl@ss 9.0	27440210

ETIM

ETIM 3.0	EC001121
ETIM 4.0	EC001121
ETIM 5.0	EC002310
ETIM 6.0	EC002310
ETIM 7.0	EC002310

UNSPSC

UNSPSC 6.01	31261501
UNSPSC 7.0901	31261501
UNSPSC 11	31261501
UNSPSC 12.01	31261501

Panel mounting frames - VS-SCRJ-A-TC-IP67 - 1658545

Classifications

UNSPSC

UNSPSC 13.2	39121421
UNSPSC 18.0	39121421
UNSPSC 19.0	39121421
UNSPSC 20.0	39121421
UNSPSC 21.0	39121421

Accessories

Accessories

Fiber optic connector (cable side)

FO connectors - VS-SCRJ-HCS-FA-IP67 - 1657012



SC-RJ fiber optic connector, IP67, duplex, with fast connection technology, for PCF fiber 200/230 μm, for individual wire diameter 2.9 mm, for cable cross section 5.0 mm ... 8.5 mm

FO connectors - VS-SCRJ-POF-FA-IP67 - 1657009



SC-RJ fiber optic connector, IP67, duplex, with fast connection technology, for polymer fiber 980/1000 μm, for individual wire diameter 2.2 mm, for cable cross section 5.0 mm ... 8.5 mm

Protective cover

Protective covers - VS-08-SD-F - 1652606

Protective cover, IP67, flat design, to cover the contact insert in the panel mounting frame, color: gray



Phoenix Contact 2020 © - all rights reserved
<http://www.phoenixcontact.com>

PHOENIX CONTACT GmbH & Co. KG
Flachsmarktstr. 8
32825 Blomberg
Germany
Tel. +49 5235 300
Fax +49 5235 3 41200
<http://www.phoenixcontact.com>