


VS-08-A-RJ45/MOD-1-R-IP67 BK

Order No.: 1658053

<http://eshop.phoenixcontact.de/phoenix/treeViewClick.do?UID=1658053>

RJ45 panel mounting frame, IP67, for modular socket inserts (Keystone), for round panel cutout, with grommet, with thread and union nut, color: black

Ethernet**Commercial data**

GTIN (EAN)	
sales group	D510
Pack	5 pcs.
Customs tariff	85369010
Catalog page information	Page 289 (PC-2011)

Product notes

WEEE/RoHS-compliant since:
06/20/2006



<http://www.download.phoenixcontact.com>
Please note that the data given here has been taken from the online catalog. For comprehensive information and data, please refer to the user documentation. The General Terms and Conditions of Use apply to Internet downloads.

Technical data**Mechanical characteristics**

Number of slots	1
Insertion/withdrawal cycles	≥ 1000
Color	black
Ambient temperature (operation)	-40 °C ... 80 °C

Material data

Inflammability class acc. to UL 94	V0
Housing material	PA
Material	Plastic
Sealing material	NBR
Seal material	NBR
Degree of protection	IP67

Electrical characteristics

Pollution degree	2
------------------	---

Accessories

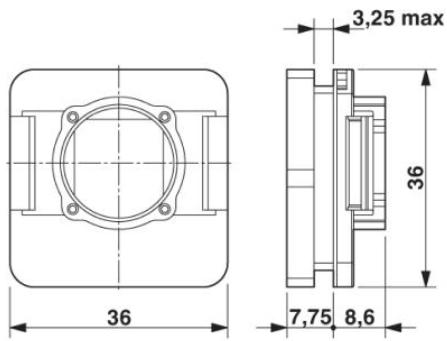
Item	Designation	Description
Female insert		
1653155	VS-08-BU-RJ45-6-MOD/BU	RJ45 socket insert, modular (Keystone), CAT6 (Link test), 8-position, shielded, socket on socket
1653168	VS-08-BU-RJ45-6/KA/LSA	RJ45 socket insert, modular (Keystone), CAT6, 8-pos., shielded, with cable connection (LSA), for litz and solid wires AWG 26 ... 22
1689064	VS-08-BU-RJ45/BU	RJ45 socket insert, modular (Keystone), CAT5e, 8-pos., shielded, socket on socket
1689459	VS-08-BU-RJ45/KA/LSA	RJ45 socket insert, modular (Keystone), CAT5e, 8-pos., shielded, with cable connection (LSA), for solid wires AWG 26 ... 22
1656356	VS-RJ11-BU-MOD/BU	Socket insert RJ11, modular system (Keystone), 6-pos., unshielded

Protective covers

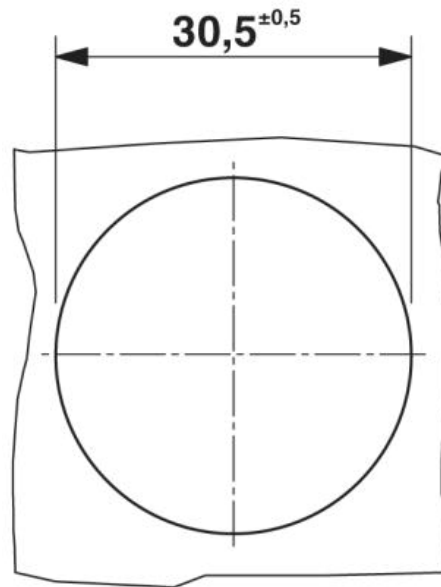
1658066	VS-08-SD-F-BK	Protective cover, IP67, flat design, to cover the contact insert in the panel mounting frame, color: black
---------	---------------	------------------------------------------------------------------------------------------------------------

Diagrams/Drawings

Dimensioned drawing

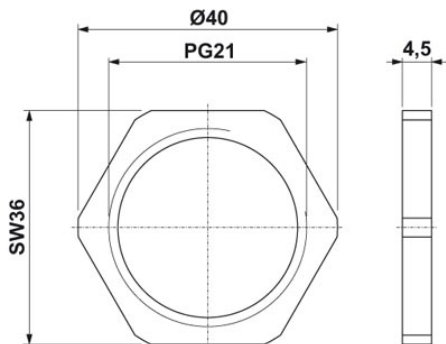


RJ45 panel mounting frame, IP67



Panel cutout

Union nut



Address

PHOENIX CONTACT Inc., USA
586 Fulling Mill Road
Middletown, PA 17057, USA
Phone (800) 888-7388
Fax (717) 944-1625
<http://www.phoenixcon.com>



© 2011 Phoenix Contact
Technical modifications reserved;