

## D-SUB cable - VS-09-DSUB-20-LI-5,0 - 1656259

Please be informed that the data shown in this PDF Document is generated from our Online Catalog. Please find the complete data in the user's documentation. Our General Terms of Use for Downloads are valid (<http://phoenixcontact.com/download>)



Assembled D-SUB cable, shielded, 9-pos., stranded (7-wire), cable color: RAL 7000 (gray), secured using 4-40 UNC thread, IP20 protection, head 1 with socket shell 1 and straight cable outlet, head 2 with pin shell 1 and straight cable outlet, length: 5 m



### Key Commercial Data

Packing unit	1 pc
GTIN	
GTIN	4046356029735

### Technical data

#### Ambient conditions

Degree of protection	IP20
Ambient temperature (operation)	0 °C ... 70 °C

#### General data

Number of positions	9
Overvoltage category	III
Degree of pollution	2
Contact material	Copper alloy
Contact surface material	gold-plated
Housing material	PVC
Degree of protection	IP20
Rated current	1 A

#### Characteristics head 1

Outer sheath, material	PVC
------------------------	-----

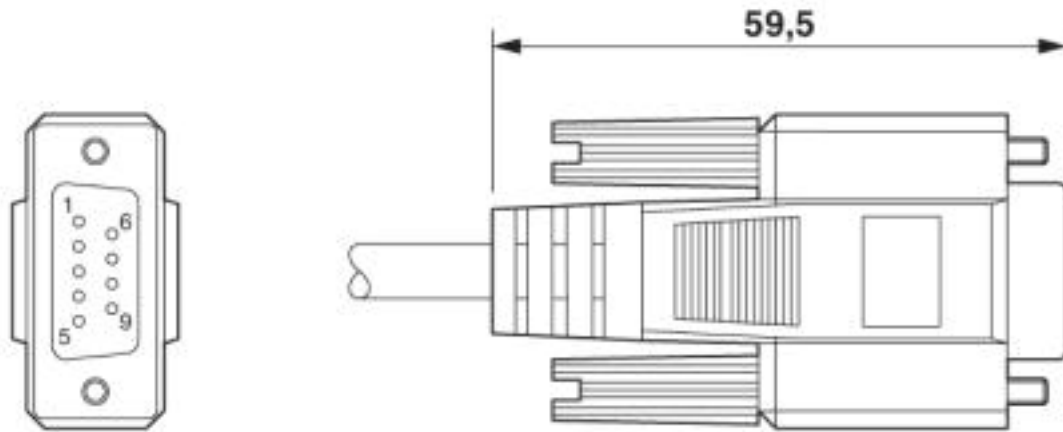
#### Environmental Product Compliance

China RoHS	Environmentally friendly use period: unlimited = EFUP-e
	No hazardous substances above threshold values

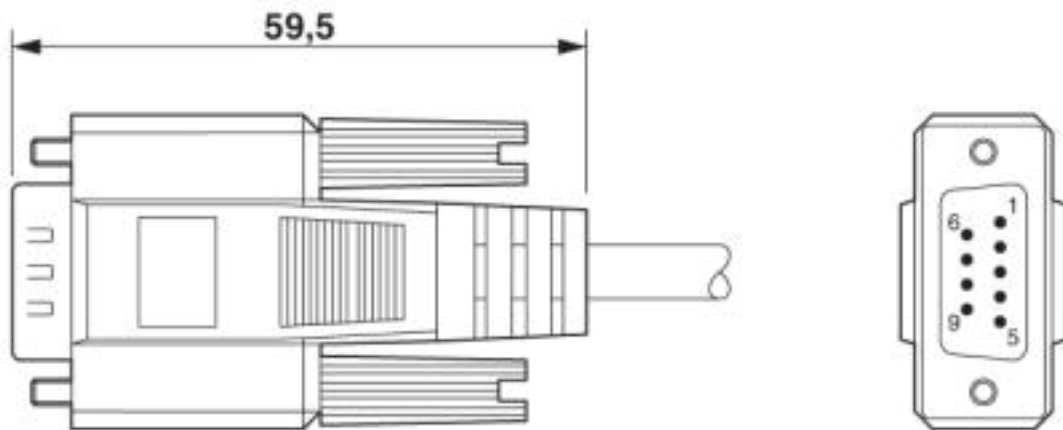
# D-SUB cable - VS-09-DSUB-20-LI-5,0 - 1656259

## Drawings

Dimensional drawing



Dimensional drawing



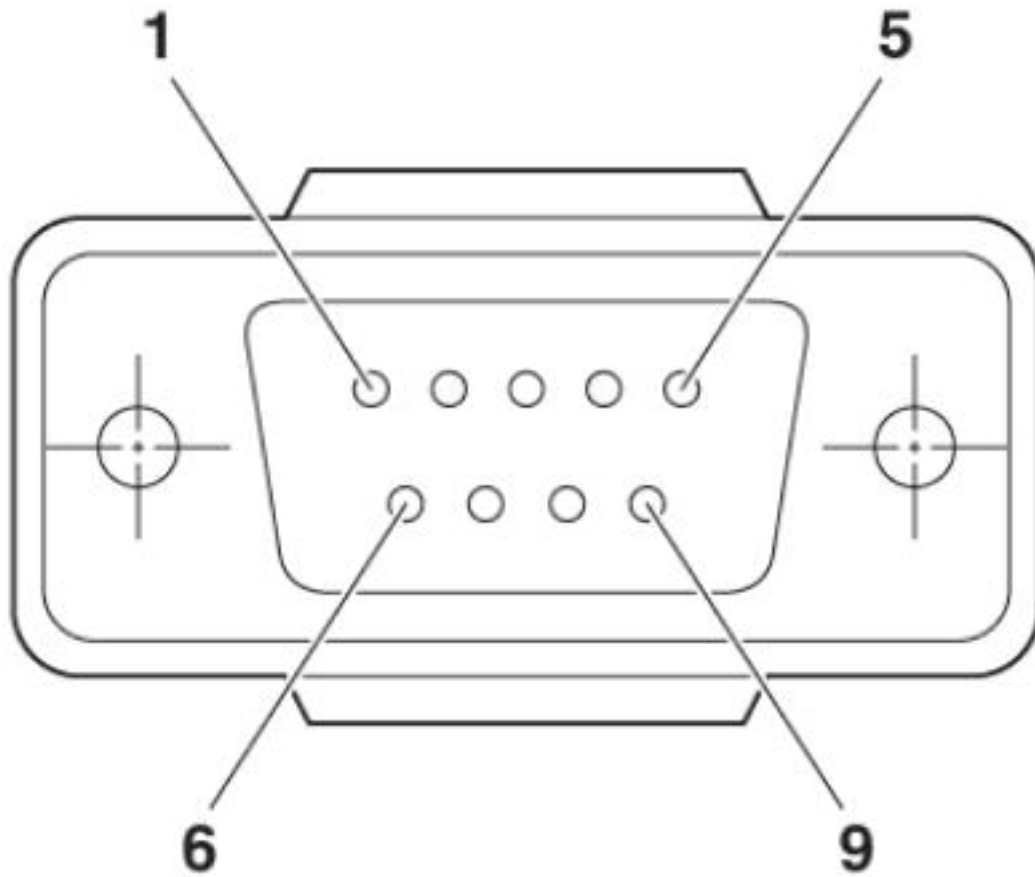
# D-SUB cable - VS-09-DSUB-20-LI-5,0 - 1656259

Circuit diagram



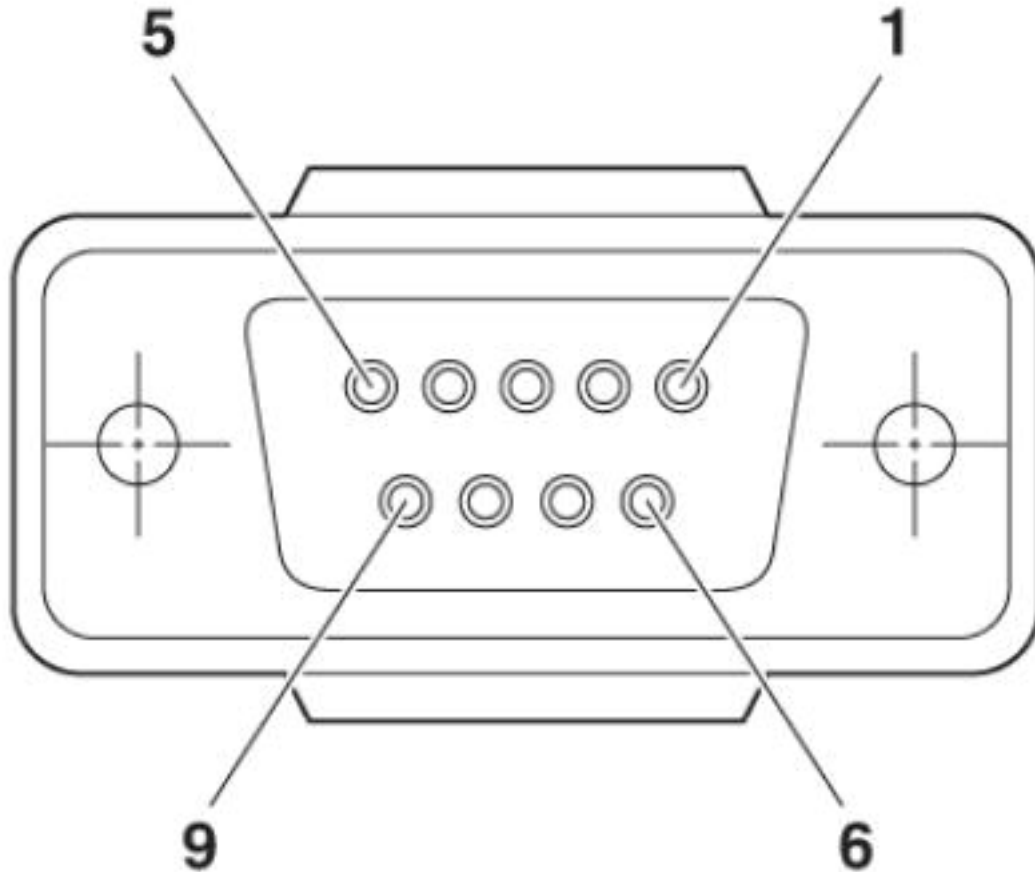
## D-SUB cable - VS-09-DSUB-20-LI-5,0 - 1656259

Schematic diagram



# D-SUB cable - VS-09-DSUB-20-LI-5,0 - 1656259

Schematic diagram



## Classifications

### eCl@ss

eCl@ss 10.0.1	27060390
eCl@ss 4.0	24010400
eCl@ss 4.1	24010400
eCl@ss 5.0	19030300
eCl@ss 5.1	19030300
eCl@ss 6.0	27060300
eCl@ss 7.0	27060390
eCl@ss 8.0	27060390
eCl@ss 9.0	27060390

### ETIM

ETIM 2.0	EC000830
ETIM 3.0	EC001855
ETIM 4.0	EC001855
ETIM 5.0	EC001408

## D-SUB cable - VS-09-DSUB-20-LI-5,0 - 1656259

### Classifications

#### ETIM

ETIM 6.0	EC000748
ETIM 7.0	EC000748

#### UNSPSC

UNSPSC 6.01	31261501
UNSPSC 7.0901	31261501
UNSPSC 11	31261501
UNSPSC 12.01	31261501
UNSPSC 13.2	26121604
UNSPSC 18.0	26121604
UNSPSC 19.0	26121604
UNSPSC 20.0	26121604
UNSPSC 21.0	26121604

### Approvals

#### Approvals

---

#### Approvals


#### EAC

---

#### Ex Approvals

---

#### Approval details

EAC		19060508
-----	---	----------

---

Phoenix Contact 2020 © - all rights reserved  
<http://www.phoenixcontact.com>

PHOENIX CONTACT GmbH & Co. KG  
Flachsmarktstr. 8  
32825 Blomberg  
Germany  
Tel. +49 5235 300  
Fax +49 5235 3 41200  
<http://www.phoenixcontact.com>