

Nut - Q-MU M20 - 1640702


Please be informed that the data shown in this PDF Document is generated from our Online Catalog. Please find the complete data in the user's documentation. Our General Terms of Use for Downloads are valid (<http://phoenixcontact.com/download>)



Nut (plastic) to lock the contact carrier from the inside of the device



Key Commercial Data

Packing unit	25 pc
Minimum order quantity	25 pc
GTIN	 4 017918 176815
GTIN	4017918176815

Technical data

General

Color	green
-------	-------

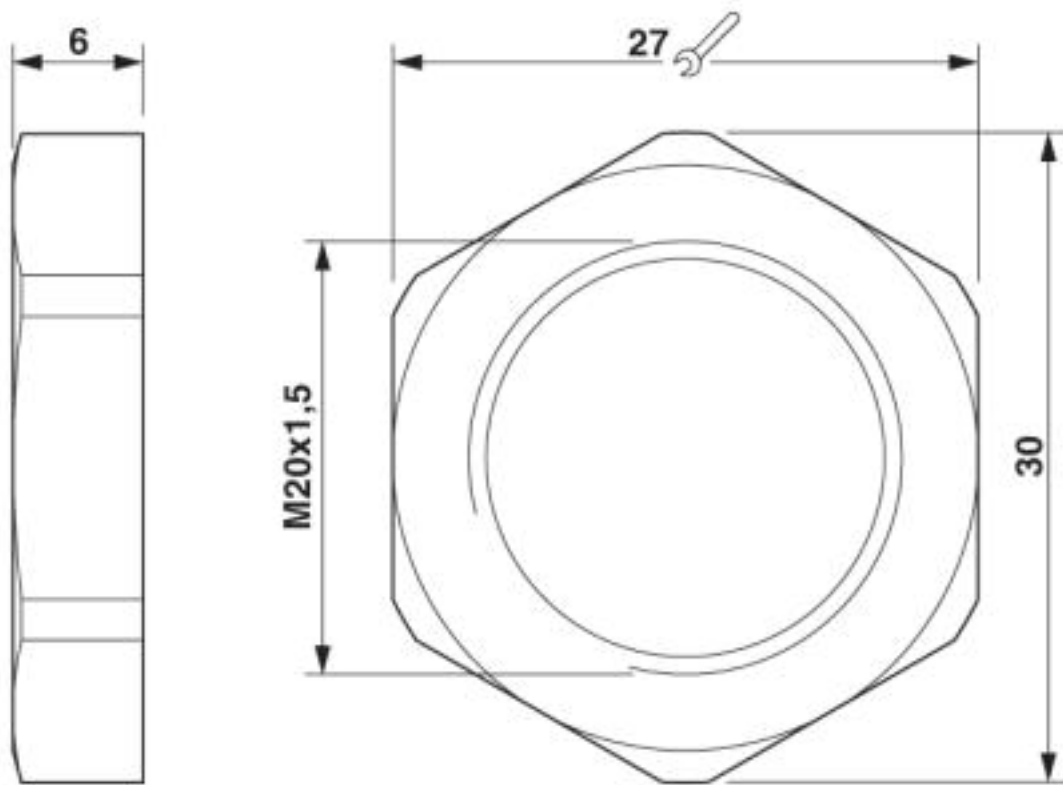
Environmental Product Compliance

China RoHS	Environmentally Friendly Use Period = 50 years
	For details about hazardous substances go to tab "Downloads", Category "Manufacturer's declaration"

Drawings

Nut - Q-MU M20 - 1640702

Dimensional drawing



Classifications

eCl@ss

eCl@ss 10.0.1	27440691
eCl@ss 4.0	23110700
eCl@ss 4.1	23110700
eCl@ss 5.0	23110700
eCl@ss 5.1	23110700
eCl@ss 6.0	23110700
eCl@ss 7.0	27069219
eCl@ss 8.0	27069219
eCl@ss 9.0	27440691

ETIM

ETIM 2.0	EC000940
ETIM 3.0	EC000940
ETIM 4.0	EC002382
ETIM 5.0	EC002382
ETIM 6.0	EC000940
ETIM 7.0	EC000940

Nut - Q-MU M20 - 1640702

Classifications

UNSPSC

UNSPSC 6.01	30211923
UNSPSC 7.0901	39121522
UNSPSC 11	39121522
UNSPSC 12.01	39121522
UNSPSC 13.2	31161716
UNSPSC 18.0	39121421
UNSPSC 19.0	39121421
UNSPSC 20.0	39121421
UNSPSC 21.0	39121421

Phoenix Contact 2020 © - all rights reserved
<http://www.phoenixcontact.com>

PHOENIX CONTACT GmbH & Co. KG
Flachsmarktstr. 8
32825 Blomberg
Germany
Tel. +49 5235 300
Fax +49 5235 3 41200
<http://www.phoenixcontact.com>