

Connector - HC-M-EMV-ST/3-9,5 - 1636088


Please be informed that the data shown in this PDF Document is generated from our Online Catalog. Please find the complete data in the user's documentation. Our General Terms of Use for Downloads are valid (<http://phoenixcontact.com/download>)



HEAVYCON EMC connector, pin version, 4-pos., for connecting shielded conductors with 3 ... 9.5 mm external conductor diameter. For use in the HC-M-02-EMC-M plastic module



Key Commercial Data

Packing unit	1 pc
GTIN	 4 017918 962920
GTIN	4017918962920

Technical data

Dimensions

Height	15.5 mm
Width	18 mm
Length	46 mm

Electrical characteristics

Rated voltage (III/3)	50 V
Rated current	10 A
Rated surge voltage	0.8 kV
Connection profile	4

Ambient conditions

Ambient temperature (operation)	-40 °C ... 85 °C
---------------------------------	------------------

Mechanical characteristics

Conductor cross section	0.14 mm ² ... 2.5 mm ²
Connection cross section AWG	26 ... 14
Stripping length of the individual wire	8 mm (6 mm (for 2.5 mm ²))
External cable diameter	3 mm ... 9.5 mm
Contact diameter	1.6 mm

Connector - HC-M-EMV-ST/3-9,5 - 1636088

Technical data

Mechanical characteristics

Wire diameter including insulation	2.4 mm
Insertion/withdrawal cycles	≥ 500

General

Note	The potential of the EMC connector housing is isolated from the potential of the heavy connector.
	for CK 1,6...ED... crimp contacts (note in scope of delivery)
	Clamps for the clamping range of 3 mm - 6 mm and 6 mm - 9.5 mm
Series	HC-M-EMV
Connection method	Crimp connection
Contact type	turned
Flammability rating according to UL 94	V0
Degree of pollution	3
Overvoltage category	III
Assembly instructions	Housing height ≥ 72 mm. Plug-in connections may only be operated only when there is no load/voltage.
Connection	For use in HC-M-EMV-MOD-ST plastic module, usable CK1,6-ED-... crimp contacts

Material data

Contact material	Copper alloy
Contact surface material	Ag (alternatively Au)
Contact carrier material	PC

Standards and Regulations

Connection in acc. with standard	CUL
Flammability rating according to UL 94	V0

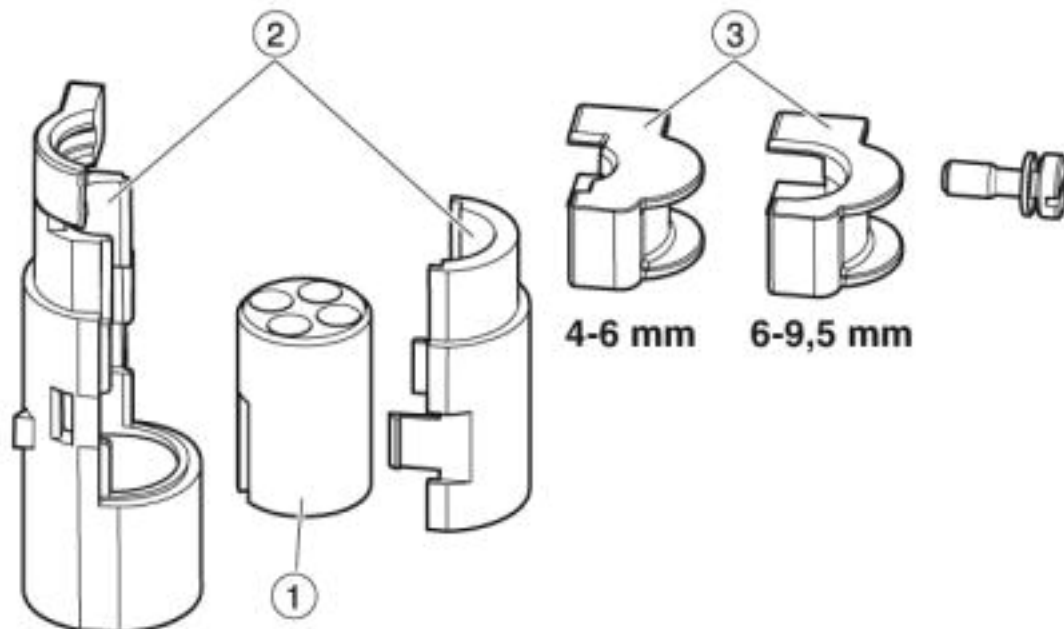
Environmental Product Compliance

China RoHS	Environmentally friendly use period: unlimited = EFUP-e
	No hazardous substances above threshold values

Drawings

Connector - HC-M-EMV-ST/3-9,5 - 1636088

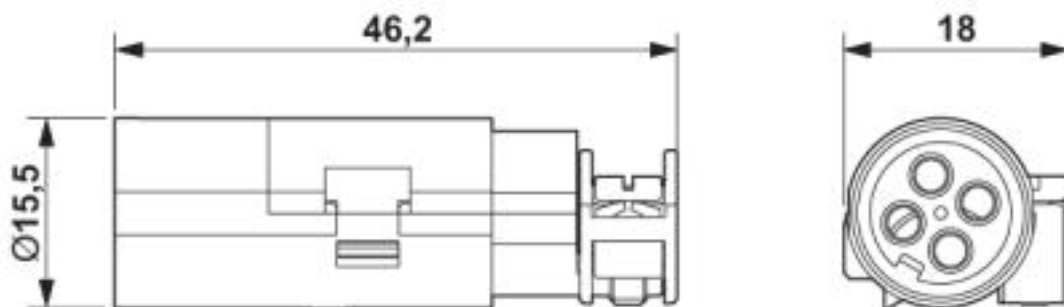
Functional drawing



Assembly instruction:

Strip the cable as shown. Lay the braided shield around the cable sheath, and secure with shrink sleeve. Mount the contact carrier in the EMC connector and put on the metal half-shells. Crimp the wires with crimp contacts and snap the contacts into the contact carrier (check to ensure position assignment is correct). Mount the clip and snap the EMC connector into the EMC module. Lastly, place the module in the snap-in frame.

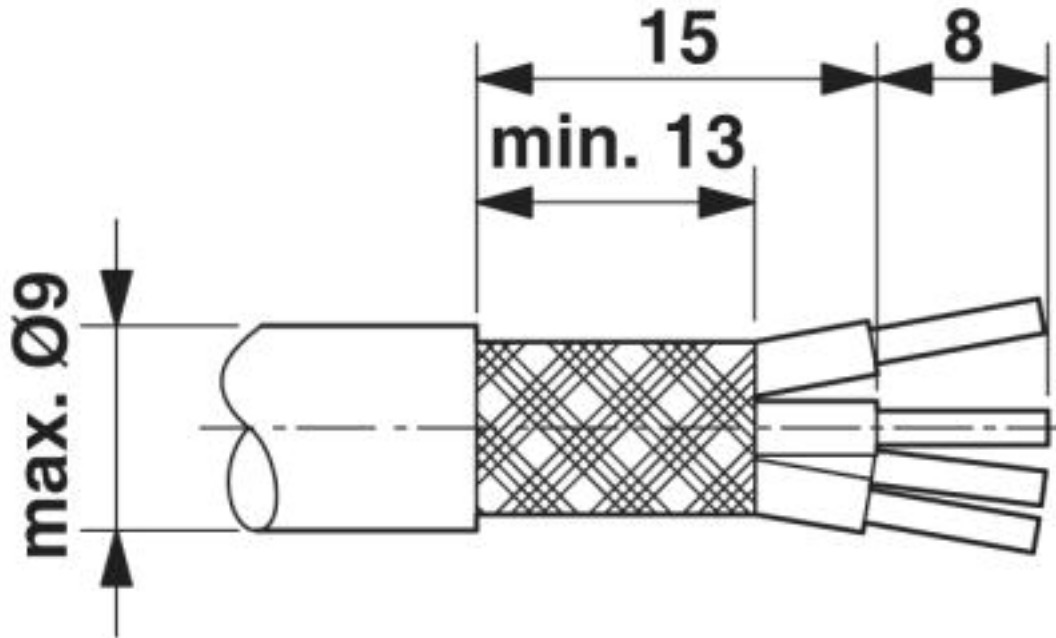
Dimensional drawing



Male insert

Connector - HC-M-EMV-ST/3-9,5 - 1636088

Dimensional drawing



Stripping specifications

Classifications

eCl@ss

eCl@ss 10.0.1	27440205
eCl@ss 4.0	27140800
eCl@ss 4.1	27140800
eCl@ss 5.0	27143400
eCl@ss 5.1	27261200
eCl@ss 6.0	27261200
eCl@ss 7.0	27440207
eCl@ss 8.0	27440207
eCl@ss 9.0	27440205

ETIM

ETIM 3.0	EC000438
ETIM 4.0	EC000438
ETIM 5.0	EC000438
ETIM 6.0	EC000438
ETIM 7.0	EC000438

UNSPSC

UNSPSC 6.01	30211923
UNSPSC 7.0901	39121522

Connector - HC-M-EMV-ST/3-9,5 - 1636088

Classifications

UNSPSC

UNSPSC 11	39121522
UNSPSC 12.01	39121522
UNSPSC 13.2	39121522
UNSPSC 18.0	39121522
UNSPSC 19.0	39121522
UNSPSC 20.0	39121522
UNSPSC 21.0	39121522

Approvals


Approvals


Approvals


UL Recognized / cUL Recognized / EAC / cULus Recognized

Ex Approvals

Approval details

UL Recognized		http://database.ul.com/cgi-bin/XYV/template/LISEXT/1FRAME/index.htm	FILE E 118976
Nominal voltage UN	42 V		
Nominal current IN	10 A		
mm ² /AWG/kcmil	16		

cUL Recognized		http://database.ul.com/cgi-bin/XYV/template/LISEXT/1FRAME/index.htm	FILE E 118976
Nominal voltage UN	42 V		
Nominal current IN	9 A		
mm ² /AWG/kcmil	16		

EAC		RU C- DE.AI30.B.01102
-----	---	--------------------------

Connector - HC-M-EMV-ST/3-9,5 - 1636088

Approvals

cULus Recognized



Accessories

Accessories

Adapter

Adapter - HC-M-ADP-EMC - 1420486



Adapter, application: Shield adapters

Assembly tool

Contact removal tool - VC-EW 1,6 - 1884869



Contact removal tool, for turned and rolled CK- 1.6-... contacts

Crimp contact

Crimp contact - CK1,6-ED-0,37ST AG - 1663336



Turned 1.6 crimp contact, individual male contact, core diameter 0.14 to 0.37 mm², silver-plated

Crimp contact - CK1,6-ED-0,50ST AG - 1663349



Turned 1.6 crimp contact, individual male contact, core diameter 0.5 mm², silver-plated

Connector - HC-M-EMV-ST/3-9,5 - 1636088

Accessories

Crimp contact - CK1,6-ED-0,75ST AG - 1663352



Turned 1.6 crimp contact, individual male contact, core diameter 0.75 mm², silver-plated

Crimp contact - CK1,6-ED-1,00ST AG - 1663365



Turned 1.6 crimp contact, individual male contact, core diameter 0.75 to 1.00 mm², silver-plated

Crimp contact - CK1,6-ED-1,50ST AG - 1663378



Turned 1.6 crimp contact, individual male contact, core diameter 1.5 mm², silver-plated

Crimp contact - CK1,6-ED-2,50ST AG - 1663381



Turned 1.6 crimp contact, individual male contact, core diameter 2.5 mm², silver-plated

Crimp contact - CK1,6-ED-0,37ST AU - 1674901



Turned 1.6 crimp contact, individual male contact, core diameter 0.14 to 0.37 mm², gold-plated

Connector - HC-M-EMV-ST/3-9,5 - 1636088

Accessories

Crimp contact - CK1,6-ED-0,50ST AU - 1672453



Turned 1.6 crimp contact, individual male contact, core diameter 0.5 mm², gold-plated

Crimp contact - CK1,6-ED-0,75ST AU - 1674914



Turned 1.6 crimp contact, individual male contact, core diameter 0.75 mm², gold-plated

Crimp contact - CK1,6-ED-1,00ST AU - 1674888



Turned 1.6 crimp contact, individual male contact, core diameter 0.75 to 1.00 mm², gold-plated

Crimp contact - CK1,6-ED-1,50ST AU - 1674875



Turned 1.6 crimp contact, individual male contact, core diameter 1.5 mm², gold-plated

Crimp contact - CK1,6-ED-2,50ST AU - 1674927



Turned 1.6 crimp contact, individual male contact, core diameter 2.5 mm², gold-plated

Crimping tool

Connector - HC-M-EMV-ST/3-9,5 - 1636088

Accessories

Crimping pliers - CRIMPFOX-TC 4 - 1212113



Crimping pliers, for CK 1,6-ED..., CK 2,5-ED..., CK 4,0-ED... turned contacts, 4 marked die stations, unlockable pressure lock, lateral entry, incl. positioning tool

EMC insert, modular

Contact insert module - HC-M-02-EMC-M - 1417374



Contact insert module, number of positions: 2, Pin, Crimp connection, 50 V, 10 A, 0.14 mm² ... 2.5 mm², application: Data/signal, for using two HC-M-EMV-ST/3-9,5 EMC connectors (pin version, each 4-pos.)

Additional products

Connector - HC-M-EMV-BU/3-9,5 - 1636091



HEAVYCON EMC connector, socket version, 4-pos., for connecting shielded conductors with 3 - 9.5 mm external conductor diameter. For use in the HC-M-02-EMC-F plastic module

Phoenix Contact 2020 © - all rights reserved
<http://www.phoenixcontact.com>

PHOENIX CONTACT GmbH & Co. KG
Flachsmarktstr. 8
32825 Blomberg
Germany
Tel. +49 5235 300
Fax +49 5235 3 41200
<http://www.phoenixcontact.com>