

Sleeve frame - VC-TR2/3M-PEA - 1607062

Please be informed that the data shown in this PDF Document is generated from our Online Catalog. Please find the complete data in the user's documentation. Our General Terms of Use for Downloads are valid (<http://phoenixcontact.com/download>)



Sleeve frame, with PE connection to housing, for contact insert modules, type 2, number of insert modules: 3

The figure shows the version VC-TR 1/2 M-PEA

Your advantages

- Compact design
- Universal connection
- Proven COMBICON technology
- Can be keyed to prevent incorrect connection



Key Commercial Data

Packing unit	5 pc
GTIN	
GTIN	4017918940898

Technical data

Dimensions

Height	27.5 mm
Width	65.2 mm
Length	32 mm

Ambient conditions

Ambient temperature (operation)	-40 °C ... 100 °C
---------------------------------	-------------------

General

Size	VC2
Material	PA-GF
Housing material	PA 6.6
Flammability rating according to UL 94	V0

Sleeve frame - VC-TR2/3M-PEA - 1607062

Technical data

Standards and Regulations

Halogen-free	yes
Flammability rating according to UL 94	V0
Safety note	WARNING: The connectors may not be plugged in or disconnected under load. Ignoring the warning or improper use may damage persons and/or property.
	<ul style="list-style-type: none"> • WARNING: Commission properly functioning products only. The products must be regularly inspected for damage. Decommission defective products immediately. Replace damaged products. Repairs are not possible.
	<ul style="list-style-type: none"> • WARNING: Only electrically qualified personnel may install and operate the product. They must observe the following safety notes. The qualified personnel must be familiar with the basics of electrical engineering. They must be able to recognize and prevent danger. The relevant symbol on the packaging indicates that only personnel familiar with electrical engineering are allowed to install and operate the product.
	<ul style="list-style-type: none"> • The products are suitable for applications in plant, controller, and electrical device engineering.
	<ul style="list-style-type: none"> • When operating the connectors in outdoor applications, they must be separately protected against environmental influences.
	<ul style="list-style-type: none"> • Assembled products may not be manipulated or improperly opened.
	<ul style="list-style-type: none"> • Only use mating connectors that are specified in the technical data of the standards listed (e.g. the ones listed in the product accessories online at phoenixcontact.com/products).
	<ul style="list-style-type: none"> • When using the product in direct connection with third-party manufacturers, the user is responsible.
	<ul style="list-style-type: none"> • For operating voltages > 50 V AC, conductive connector housings must be grounded
	<ul style="list-style-type: none"> • Ensure that the protective or functional ground has been properly connected.
	<ul style="list-style-type: none"> • VDE 0100/1.97 § 411.1.3.2 and DIN EN 60 204/11.98 § 14.1.3 are applicable when combining several circuits in a cable and/or connector
	<ul style="list-style-type: none"> • Observe the corresponding technical data. You will find information: <ul style="list-style-type: none"> o On the product o On the packing label o In the supplied documentation o Online at phoenixcontact.com/products under the product
	<ul style="list-style-type: none"> • Only use tools recommended by Phoenix Contact
	<ul style="list-style-type: none"> • The installation notes/Design In documents online on the download page at phoenixcontact.com/products must be observed for this product.
	<ul style="list-style-type: none"> • Use a protective cap to protect connectors that are not in use. The suitable accessories are available online in the accessory section of the product at phoenixcontact.com/products
	<ul style="list-style-type: none"> • Operate the connector only when it is fully plugged in.
	<ul style="list-style-type: none"> • Ensure that when laying the cable, the tensile load on the connectors does not exceed the upper limit specified in the standards.
	<ul style="list-style-type: none"> • Observe the minimum bending radius of the cable. Lay the cable without twisting it.

Environmental Product Compliance

China RoHS	Environmentally friendly use period: unlimited = EFUP-e
------------	---

Sleeve frame - VC-TR2/3M-PEA - 1607062

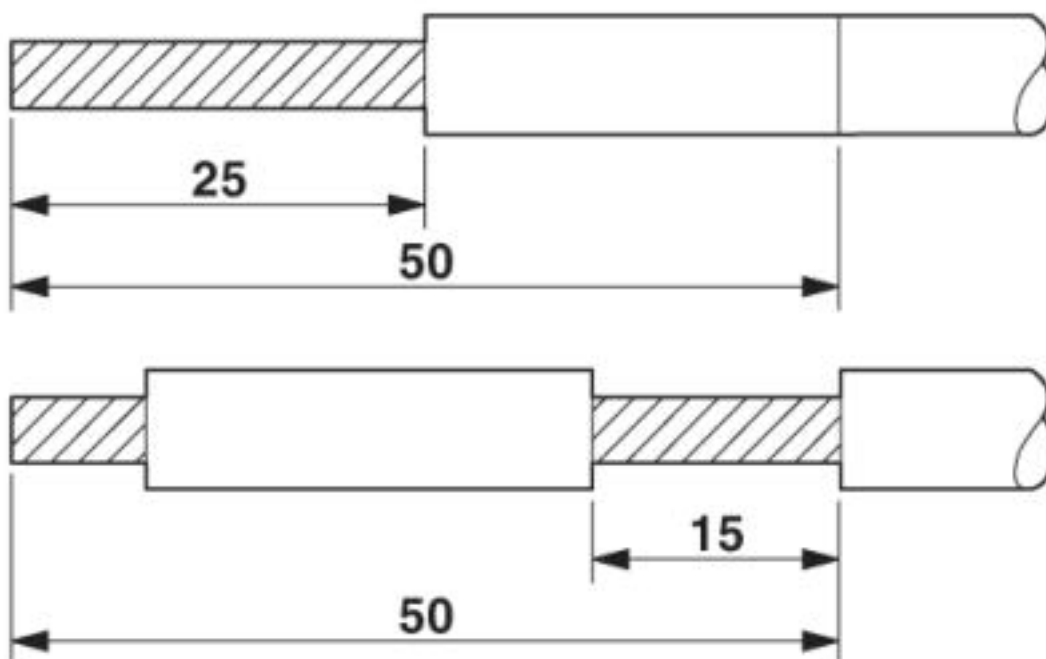
Technical data

Environmental Product Compliance

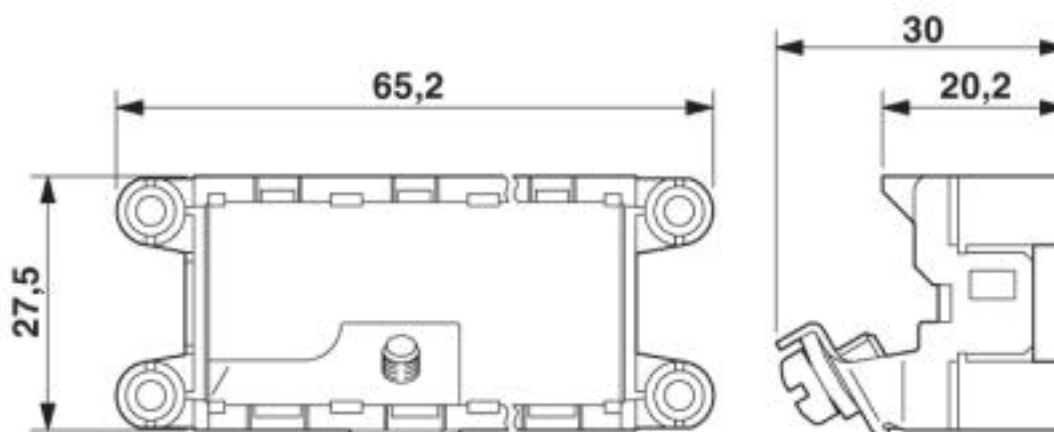
	No hazardous substances above threshold values
--	--

Drawings

Functional drawing



Dimensional drawing



Classifications

eCl@ss

eCl@ss 10.0.1	27440210
---------------	----------

Sleeve frame - VC-TR2/3M-PEA - 1607062

Classifications

eCl@ss

eCl@ss 4.0	27140800
eCl@ss 4.1	27140800
eCl@ss 5.0	27189200
eCl@ss 5.1	27189200
eCl@ss 6.0	27261200
eCl@ss 7.0	27440210
eCl@ss 8.0	27440210
eCl@ss 9.0	27440210

ETIM

ETIM 2.0	EC000007
ETIM 3.0	EC000007
ETIM 4.0	EC000007
ETIM 5.0	EC002310
ETIM 6.0	EC002310
ETIM 7.0	EC002310

UNSPSC

UNSPSC 6.01	43172601
UNSPSC 7.0901	31261501
UNSPSC 11	43172601
UNSPSC 12.01	31261501
UNSPSC 13.2	39121421
UNSPSC 18.0	39121421
UNSPSC 19.0	39121421
UNSPSC 20.0	39121421
UNSPSC 21.0	39121421

Approvals

Approvals

Approvals

EAC

Ex Approvals

Approval details

Sleeve frame - VC-TR2/3M-PEA - 1607062

Approvals

EAC



B.01742

Accessories

Accessories

Contact insert

Contact insert - VC-TFOS 2 - 1855814



Contact insert module, for sleeve frames for connecting 2 POF optical fibers with integrated FSMA quick mounting connectors

Contact insert - VC-TFS 6 - 1853476



Contact insert module, for sleeve frames, with screw connection, 6-pos., 250 V / 10 A

Contact insert - VC-TFS 6-PE - 1583526



Contact insert module, for sleeve frames, with screw connection, 5-pos. + PE connection, 250 V / 10 A

Contact insert - VC-TFS 8 - 1852820



Contact insert module, for sleeve frames, with screw connection, 8-pos., 160 V / 10 A

Sleeve frame - VC-TR2/3M-PEA - 1607062

Accessories

Contact insert - VC-TFS 8-PE - 1583536



Contact insert module, for sleeve frames, with screw connection, 7-pos. + PE connection, 160 V / 10 A

Contact insert - VC-TFS 2 - 1852846



Contact insert, Contact insert, housing material: PA, number of positions: 2, nom. voltage: 400, rated current: 20 A, Connection method: Screw connection, Type of contact: Socket. Connectors may only be connected/disconnected when under no load.

Contact insert - VC-TFS 2-PE - 1583513



Contact insert, Contact insert, housing material: PA 6.6, number of positions: 2, nom. voltage: 400, rated current: 20 A, Connection method: Screw connection, Type of contact: Socket. Connectors may only be connected/disconnected when under no load.

Phoenix Contact 2020 © - all rights reserved
<http://www.phoenixcontact.com>

PHOENIX CONTACT GmbH & Co. KG
Flachsmarktstr. 8
32825 Blomberg
Germany
Tel. +49 5235 300
Fax +49 5235 3 41200
<http://www.phoenixcontact.com>