

Connector set - DC-B 6-SET-WF-M20R-M-7X4-UT - 1602232


Please be informed that the data shown in this PDF Document is generated from our Online Catalog. Please find the complete data in the user's documentation. Our General Terms of Use for Downloads are valid (<http://phoenixcontact.com/download>)



Duplicon, aluminum panel feed-through set with a panel mounting base, with a stackable housing with M20 cable screw connection thread (without cable screw connection), with two contact inserts 6 x 4 mm² + PE, 400/690 V, 25 A, screw connection and a housing cover, type B6, IP67 protection



Key Commercial Data

Packing unit	1 pc
GTIN	 4 046356 027939
GTIN	4046356027939

Technical data

Dimensions

Height	77 mm
Length of the assembly cutout	55 mm
Width of the assembly cutout	55 mm

Ambient conditions

Degree of protection	IP65/IP66/IP67
Ambient temperature (operation)	-40 °C ... 100 °C

Electrical characteristics

Rated voltage (III/3)	400 V (L-PE)
	690 V (L-L)
Rated surge voltage	6 kV
Rated current	25 A (with 4 mm ² conductor cross section)
Maximum load current	32 A (L1/L2/L3)
Overvoltage category	III
Degree of pollution	3

Material data

Connector set - DC-B 6-SET-WF-M20R-M-7X4-UT - 1602232

Technical data

Material data

Contact material	Copper alloy
Contact surface material	Ag
Contact carrier material	PA
Housing material	Aluminum die-cast
Housing surface material	uncoated
Seal material	NBR
Locking latch material	Stainless steel
Material grip body interlock	PA

General

Type	DC-B6
Color	pearl gray
Insertion/withdrawal cycles	≥ 100
Number of positions	6
Stripping length of the individual wire	10 mm
Conductor cross section	0.2 mm ² ... 4 mm ² (6 mm ² without ferrule)
Connection cross section AWG	24 ... 12 (AWG 10 without ferrule)
Tightening torque	0.5 Nm ... 0.6 Nm
Pg screw connection	none
Type of the screw connection	with M20 thread
Cable outlet	lateral

Standards and Regulations

Connection in acc. with standard	CUL
Flammability rating according to UL 94	V0

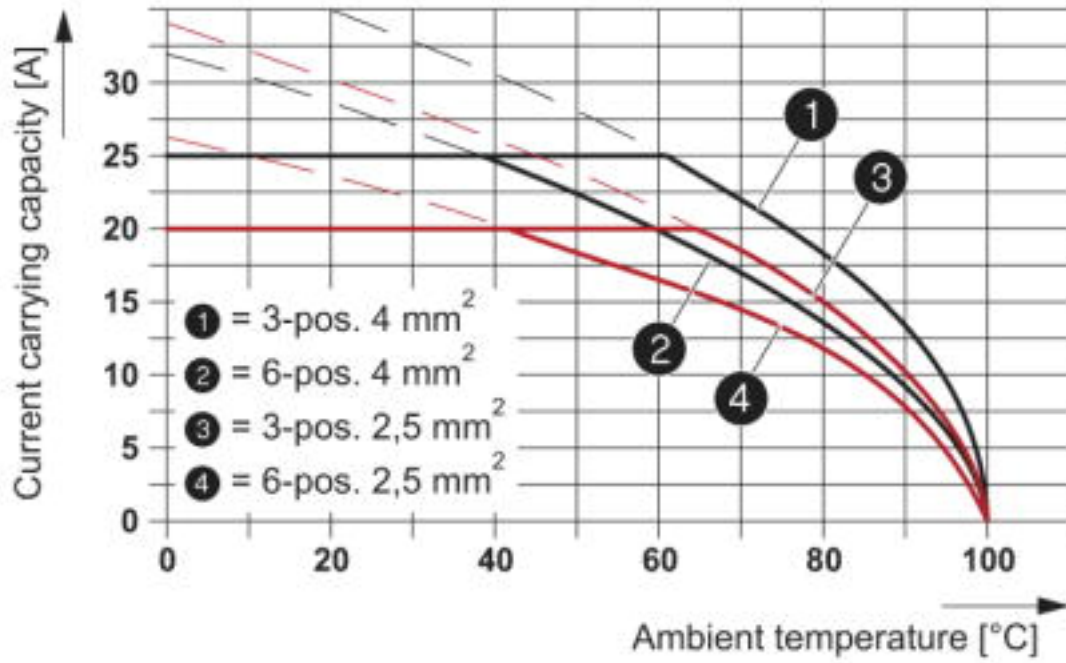
Environmental Product Compliance

REACH SVHC	Lead 7439-92-1
China RoHS	Environmentally Friendly Use Period = 50 years
	For details about hazardous substances go to tab "Downloads", Category "Manufacturer's declaration"

Drawings

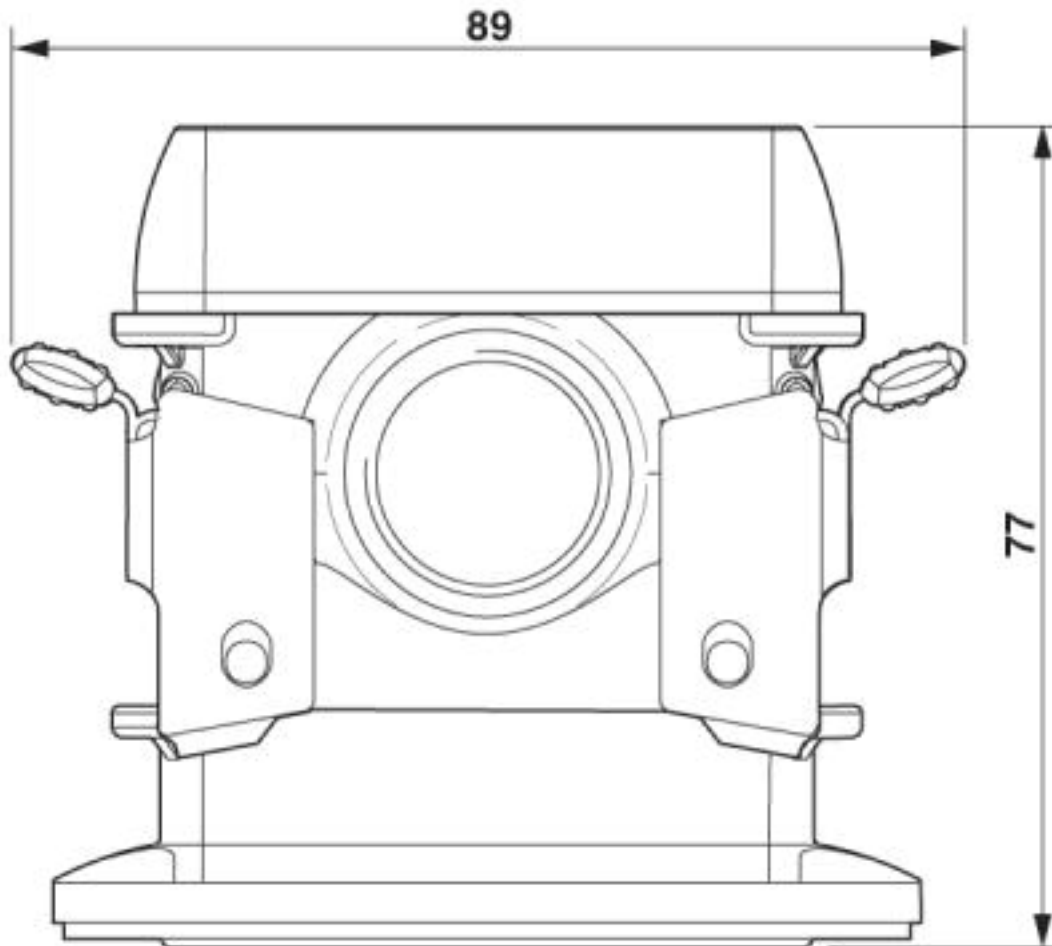
Connector set - DC-B 6-SET-WF-M20R-M-7X4-UT - 1602232

Diagram



Connector set - DC-B 6-SET-WF-M20R-M-7X4-UT - 1602232

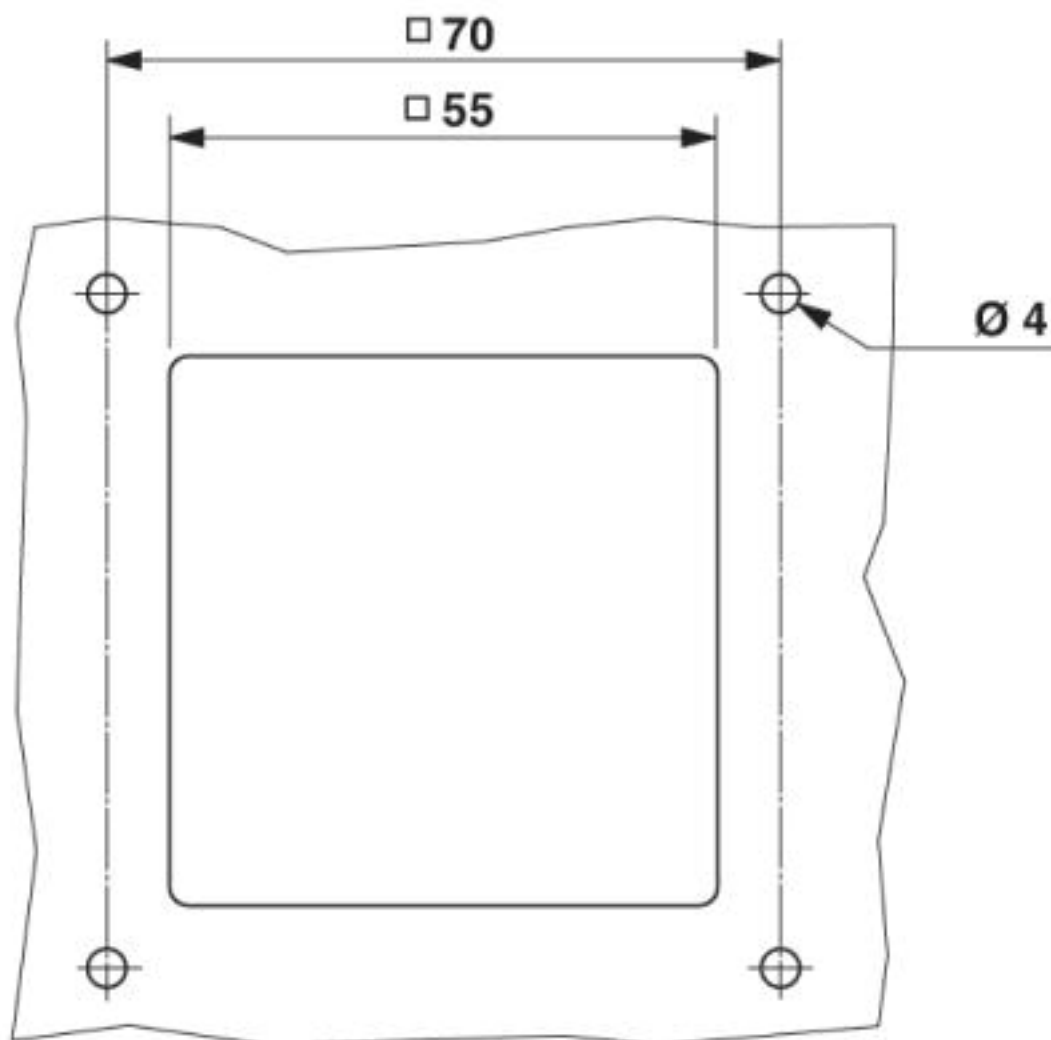
Dimensional drawing



Dimensional drawing

Connector set - DC-B 6-SET-WF-M20R-M-7X4-UT - 1602232

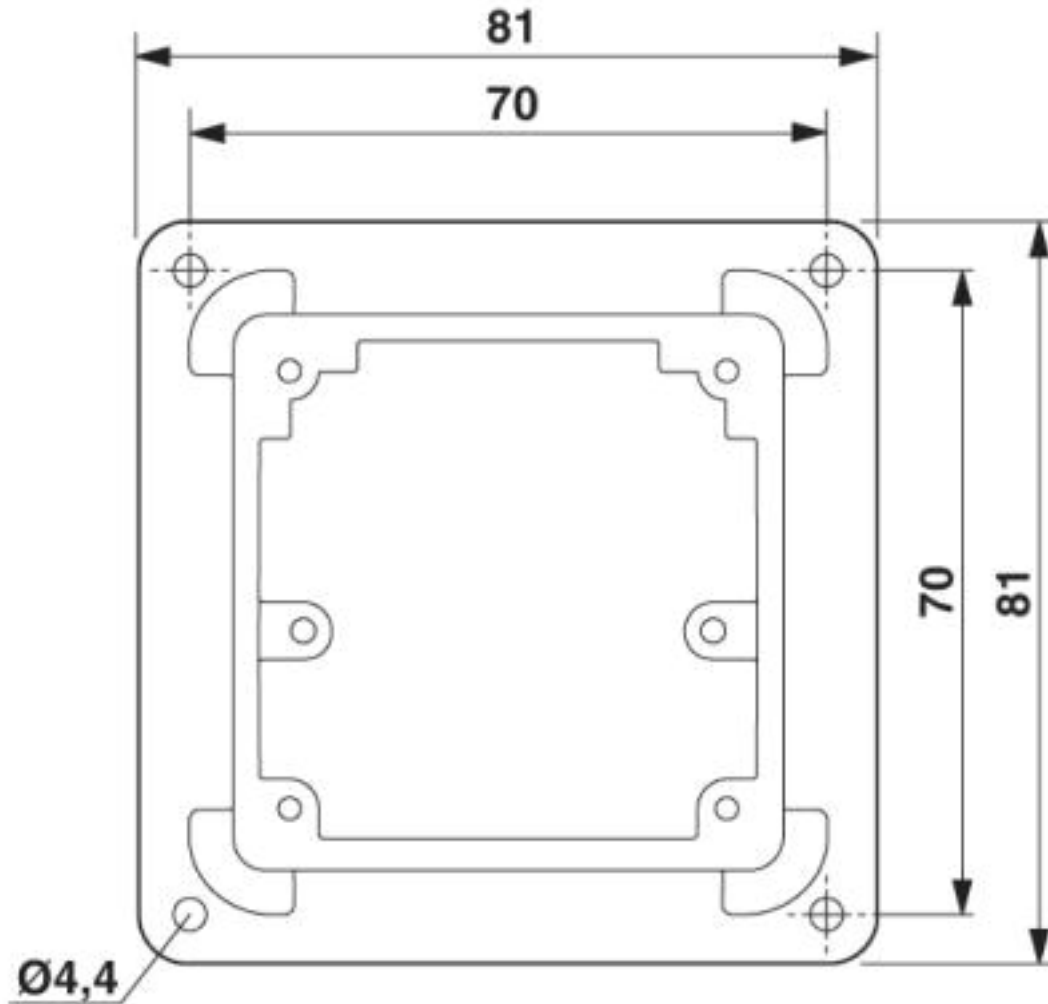
Dimensional drawing



Panel cutout: DC-B 6-SET-WF...

Connector set - DC-B 6-SET-WF-M20R-M-7X4-UT - 1602232

Dimensional drawing



Dimensional drawing (lateral view)

Articles in set

Stackable housing - DC-B 6-HD-M20-M - 1602041



DUPLICON, aluminum stackable housing for DUPLICON contact inserts, type B6, IP67 protection, with two locking latches, gasket and an M20 cable screw connection thread (without cable screw connection)

Connector set - DC-B 6-SET-WF-M20R-M-7X4-UT - 1602232

Articles in set

Contact insert - DC-B 6-ID-7X4-UT - 1602203



DUPLICON, connector contact insert, 6 x 4 mm² + PE, 400/690 V, 25 A, screw connection, type B6, IP20 protection

Housing cover - DC-B 6-CT-M - 1602025



DUPLICON, aluminum housing cover, type B6, IP67 protection, with two M3 screws, V2A, captive, gasket and hole for retaining cord, for self-tapping M3 screw

Classifications

eCl@ss

eCl@ss 10.0.1	27440101
eCl@ss 4.0	27140800
eCl@ss 4.1	27140800
eCl@ss 5.0	27143400
eCl@ss 5.1	27261200
eCl@ss 6.0	27261200
eCl@ss 7.0	27440202
eCl@ss 8.0	27440101
eCl@ss 9.0	27440101

ETIM

ETIM 2.0	EC001121
ETIM 3.0	EC000437
ETIM 4.0	EC000437
ETIM 5.0	EC000437
ETIM 6.0	EC002636
ETIM 7.0	EC002636

UNSPSC

UNSPSC 6.01	30211923
UNSPSC 7.0901	39121522
UNSPSC 11	39121522
UNSPSC 12.01	39121522
UNSPSC 13.2	31261501

Connector set - DC-B 6-SET-WF-M20R-M-7X4-UT - 1602232

Classifications

UNSPSC

UNSPSC 18.0	39121409
UNSPSC 19.0	39121409
UNSPSC 20.0	39121409
UNSPSC 21.0	39121409

Approvals


Approvals


Approvals


UL Recognized / cUL Recognized / VDE Gutachten mit Fertigungsüberwachung / EAC / cULus Recognized

Ex Approvals

Approval details

UL Recognized		http://database.ul.com/cgi-bin/XYV/template/LISEXT/1FRAME/index.htm	FILE E 118976
Nominal voltage UN	600 V		
Nominal current IN	25 A		
mm²/AWG/kcmil	12		

cUL Recognized		http://database.ul.com/cgi-bin/XYV/template/LISEXT/1FRAME/index.htm	FILE E 118976
Nominal voltage UN	600 V		
Nominal current IN	25 A		
mm²/AWG/kcmil	12		

VDE Gutachten mit Fertigungsüberwachung		http://www2.vde.com/de/Institut/Online-Service/VDE-gepruefteProdukte/Seiten/Online-Suche.aspx	40017400
Nominal voltage UN	690 V		
Nominal current IN	25 A		

Connector set - DC-B 6-SET-WF-M20R-M-7X4-UT - 1602232

Approvals

EAC		RU C- DE.BL08.B.00511
-----	--	--------------------------

cULus Recognized	
------------------	--

Accessories

Accessories

Coding element

Coding star - PC - 3040588



Coding star, length: 3 mm, width: 3 mm, height: 6 mm, color: red

Full screw connection

Cable gland - G-INSEC-M20-S68N-NCRS-S - 1411189



Cable gland, cable gland material: Nickel-plated brass, external cable diameter 9 mm ... 13 mm, shielding: yes, connecting thread: M20 x 1.5, color: silver, with O-ring

Cable gland - HC-M-KV-M20(11-16) - 1645998



Metal screw connection up to 5 bar, thread length: 6 mm, cable diameter: 11 - 16 mm, WAF 27, screw connection: M20

Cable gland - G-INS-M20-S68N-NNES-S - 1411163



Cable gland, cable gland material: Nickel-plated brass, external cable diameter 6 mm ... 12 mm, shielding: no, connecting thread: M20 x 1.5, color: silver, with O-ring

Connector set - DC-B 6-SET-WF-M20R-M-7X4-UT - 1602232

Accessories

Insertion bridge

Insertion bridge - EB 2- 6 - 0201155



Insertion bridge, pitch: 6.2 mm, number of positions: 2, color: gray

Protective cover

Dust protection cover - DC-B 6-CT-P - 1581078



DUPLICON snap-on dust protection cover, polyamide (can be coated)

Seal

Seal - DC-B 6-A-HD-G - 1602326



DUPLICON, profile gasket for stackable housing, made of conductive EPDM

Seal - DC-B 6-A-HB-G - 1602339



DUPLICON, flat gasket for panel mounting base, made of conductive NBR

Phoenix Contact 2020 © - all rights reserved
<http://www.phoenixcontact.com>

PHOENIX CONTACT GmbH & Co. KG
Flachsmarktstr. 8
32825 Blomberg
Germany
Tel. +49 5235 300
Fax +49 5235 3 41200
<http://www.phoenixcontact.com>