

Crimp contact - CK2,5-ED-0,5BU FE - 1585773

Please be informed that the data shown in this PDF Document is generated from our Online Catalog. Please find the complete data in the user's documentation. Our General Terms of Use for Downloads are valid (<http://phoenixcontact.com/download>)



Turned 2.5 crimp contact, individual Fe female contact, core cross section 0.5 mm², Au surface

RoHS

Key Commercial Data

| | |
|--------------|---------------|
| Packing unit | 25 pc |
| GTIN | |
| GTIN | 4046356308373 |

Technical data

Electrical characteristics

| | |
|---------------|------|
| Rated current | 16 A |
|---------------|------|

Ambient conditions

| | |
|---------------------------------|-------------------|
| Ambient temperature (operation) | -40 °C ... 125 °C |
|---------------------------------|-------------------|

Mechanical characteristics

| | |
|---|---|
| Conductor cross section | 0.5 mm ² ... 0.5 mm ² |
| Connection cross section AWG | 20 |
| Stripping length of the individual wire | 7.5 mm (9.5 mm at HC-M-HV...) |
| Contact diameter | 2.5 mm |
| Insertion/withdrawal cycles | ≥ 500 |

General

| | |
|-------------------|--|
| Note | For HC-M-06, HC-M-HV, HC-M-08, HC-A, HC-BB, HC-B and HC-HV contact inserts, the quality of a crimp connection is determined by the DIN EN 60 352-2 |
| Type | Individual male contact |
| Series | HC-M-06; HC-M-HV; HC-M-08; HC-A; HC-BB; HC-B; HC-HV |
| Connection method | Crimp connection |
| Contact type | turned |

Crimp contact - CK2,5-ED-0,5BU FE - 1585773

Technical data

Material data

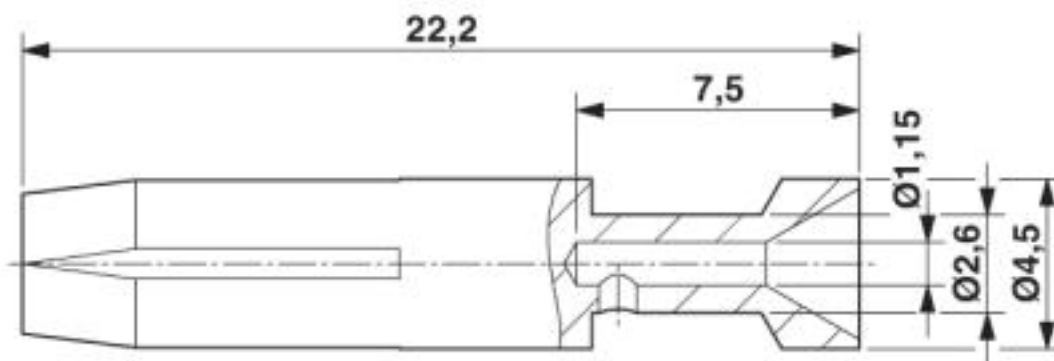
| | |
|--------------------------|------------------|
| Contact material | Iron |
| Contact surface material | Hard gold-plated |

Environmental Product Compliance

| | |
|------------|---|
| China RoHS | Environmentally friendly use period: unlimited = EFUP-e |
| | No hazardous substances above threshold values |

Drawings

Dimensional drawing



Dimensional drawing

Classifications

eCl@ss

| | |
|---------------|----------|
| eCl@ss 10.0.1 | 27440204 |
| eCl@ss 4.0 | 27140800 |
| eCl@ss 4.1 | 27140800 |
| eCl@ss 5.0 | 27143400 |
| eCl@ss 5.1 | 27261200 |
| eCl@ss 6.0 | 27261200 |
| eCl@ss 7.0 | 27440204 |
| eCl@ss 8.0 | 27440204 |
| eCl@ss 9.0 | 27440204 |

ETIM

| | |
|----------|----------|
| ETIM 3.0 | EC000796 |
| ETIM 4.0 | EC000796 |
| ETIM 5.0 | EC000796 |
| ETIM 6.0 | EC000796 |
| ETIM 7.0 | EC000796 |

Crimp contact - CK2,5-ED-0,5BU FE - 1585773

Classifications

UNSPSC

| | |
|---------------|----------|
| UNSPSC 6.01 | 30211923 |
| UNSPSC 7.0901 | 39121522 |
| UNSPSC 11 | 39121522 |
| UNSPSC 12.01 | 39121522 |
| UNSPSC 13.2 | 39121522 |
| UNSPSC 18.0 | 39121522 |
| UNSPSC 19.0 | 39121522 |
| UNSPSC 20.0 | 39121522 |
| UNSPSC 21.0 | 39121522 |

Accessories

Accessories

Assembly tool

Assembly tool - UNIFOX MT-CK 1.6/2.5 - 1089092



Assembly tool, for CK 1.6... crimp contacts for small conductor cross sections

Crimping tool

Crimping pliers - CRIMPFOX-TC 4 - 1212113



Crimping pliers, for CK 1,6-ED..., CK 2,5-ED..., CK 4,0-ED... turned contacts, 4 marked die stations, unlockable pressure lock, lateral entry, incl. positioning tool

Universal tools

Contact removal tool - UNIFOX RT-CK 2.5 - 1072067



Contact removal tool, for turned CK 2,5... contacts

Additional products

Crimp contact - CK2,5-ED-0,5BU FE - 1585773

Accessories

Crimp contact - CK2,5-ED-0,5ST FE - 1585760



Turned 2.5 crimp contact, individual Fe male contact, core cross section 0.5 mm², Au surface

Phoenix Contact 2020 © - all rights reserved
<http://www.phoenixcontact.com>

PHOENIX CONTACT GmbH & Co. KG
Flachsmarktstr. 8
32825 Blomberg
Germany
Tel. +49 5235 300
Fax +49 5235 3 41200
<http://www.phoenixcontact.com>