

SAC-3P- 4,0-410/MINFR

Order No.: 1532593

<http://eshop.phoenixcontact.de/phoenix/treeViewClick.do?UID=1532593>

Sensor/Actuator cable, 3-position, PVC, Yellow RAL 1021, Free conductor end, on Socket, angled 7/8" 16UNF, A-coded, Cable length: 4 m

Commercial data

GTIN (EAN)	4046356025522
Note	Made-to-order
sales group	D140
Pack	1 pcs.
Customs tariff	85444290
Weight/Piece	0.6068 KG
Catalog page information	Page 102 (PC-2007)

<http://www.download.phoenixcontact.com>
Please note that the data given here has been taken from the online catalog. For comprehensive information and data, please refer to the user documentation. The General Terms and Conditions of Use apply to Internet downloads.

Technical data

General data

Rated current at 40°C	13 A
Rated voltage	600 V
Number of positions	3
Volume resistance	≤ 5 mΩ
Insulation resistance	≥ 10 MΩ
Length of cable	4 m

General characteristics

Coding	A - standard
Surge voltage category	II
Pollution degree	2
Degree of protection	IP68
Contact material	CuSn
Contact surface material	Au
Contact carrier material	PUR
Material of grip body	PUR
Material, knurls	Nickel-plated brass
Status display	No
Test voltage	4000 V

Conductor data

Cable type	PVC yellow U.S. color code
Conductor cross section	1.5 mm ²
AWG signal line	16
Conductor structure signal line	65x 0.16 mm
External cable diameter	10.24 mm
Wire colors	Green, black, white
External sheath, color	Yellow RAL 1021
Outer sheath, material	PVC

Certificates / Approvals

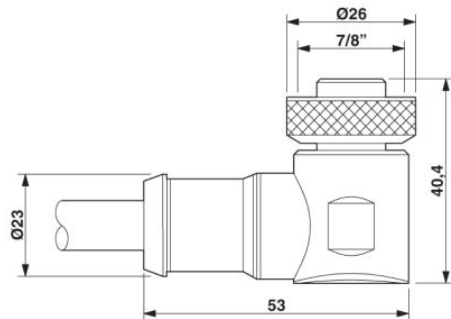


Certification

CUL Listed, UL Listed

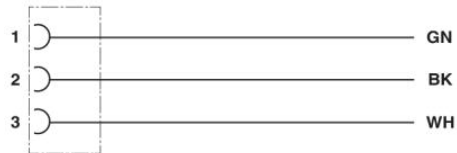
Diagrams/Drawings

Dimensioned drawing



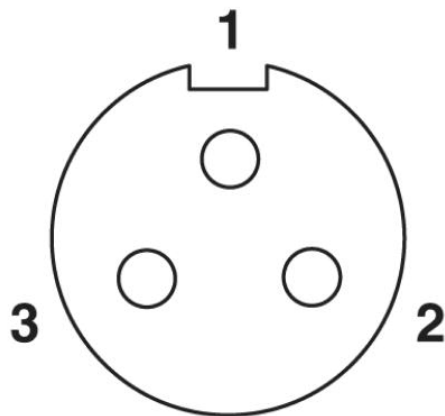
7/8"-16UNF socket, angled

Circuit diagram



Contact assignment of 7/8" plugs/sockets, cable type 410

Schematic diagram



Pin assignment, socket, 7/8"-16UNF, 3-pos., view of female side

Address

PHOENIX CONTACT Inc., USA
586 Fulling Mill Road
Middletown, PA 17057, USA
Phone (800) 888-7388
Fax (717) 944-1625
<http://www.phoenixcon.com>



© 2010 Phoenix Contact
Technical modifications reserved;