

Flush-type connector - SACC-E-MINFS-3CON-PG13/0,5 - 1521407

Please be informed that the data shown in this PDF Document is generated from our Online Catalog. Please find the complete data in the user's documentation. Our General Terms of Use for Downloads are valid (<http://phoenixcontact.com/download>)



Sensor/actuator flush-type socket, 3-pos., 7/8", front mounting with Pg13.5 thread, with 0.5 m PVC litz wire, 3 x 0.75 mm²



Key Commercial Data

Packing unit	1 pc
GTIN	
GTIN	4017918949624

Technical data

Dimensions

Length of cable	0.5 m
-----------------	-------

Ambient conditions

Ambient temperature (operation)	-40 °C ... 85 °C (Socket)
Degree of protection	IP67

General

Rated current at 40°C	12 A
Rated voltage	250 V
Number of positions	3
Insulation resistance	≥ 100 MΩ
Coding	A - standard
Status display	No
Overvoltage category	II
Degree of pollution	3
Connection method	Individual wires
Mounting type	Front mounting Pg13.5

Material

Flush-type connector - SACC-E-MINFS-3CON-PG13/0,5 - 1521407

Technical data

Material

Flammability rating according to UL 94	HB
Contact material	CuZn
Contact surface material	Au
Contact carrier material	PUR
Material, knurls	Zinc die-cast, nickel-plated
Sealing material	Viton

Cable

Cable type	PVC litz wire
Conductor cross section	0.75 mm ²
AWG signal line	18
Conductor structure signal line	24x 0.20 mm
Core diameter including insulation	2.7 mm
Thickness, insulation	0.85 mm (Core insulation)
Wire colors	green/yellow, brown, blue
Material conductor insulation	PE
Ambient temperature (operation)	-40 °C ... 85 °C (cable, fixed installation)

Standards and Regulations

Connection in acc. with standard	CUL
Flammability rating according to UL 94	HB

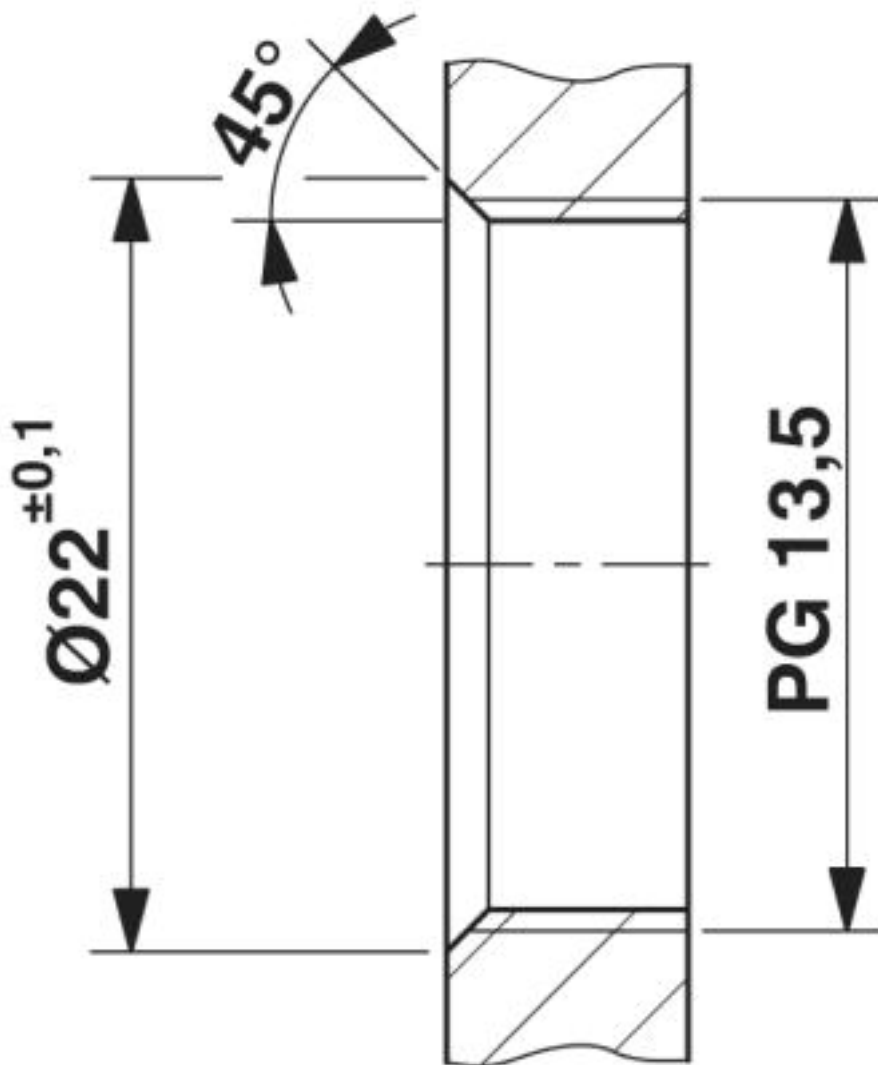
Environmental Product Compliance

China RoHS	Environmentally Friendly Use Period = 25;
	For details about hazardous substances go to tab "Downloads", Category "Manufacturer's declaration"

Drawings

Flush-type connector - SACC-E-MINFS-3CON-PG13/0,5 - 1521407

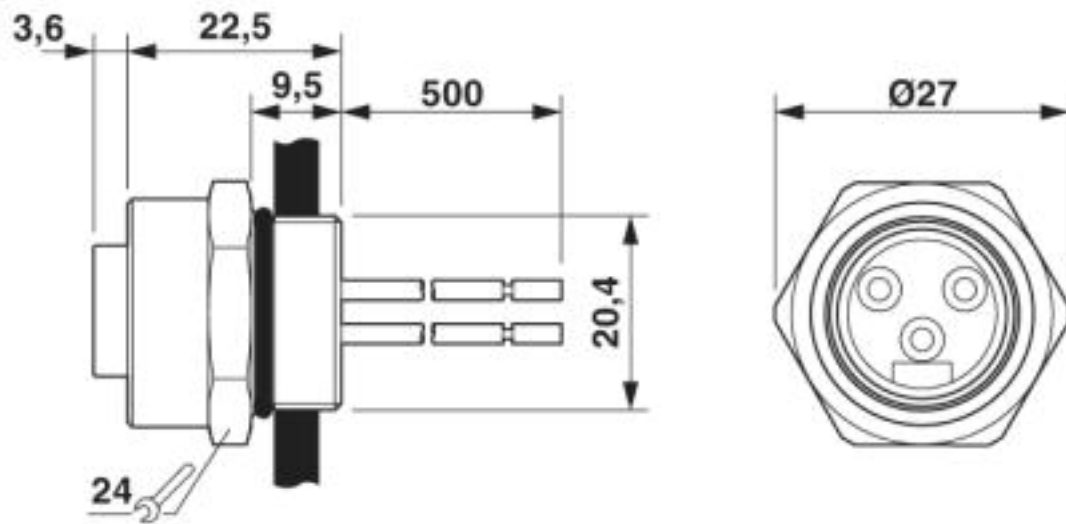
Dimensional drawing



Mounting panel with thread

Flush-type connector - SACC-E-MINFS-3CON-PG13/0,5 - 1521407

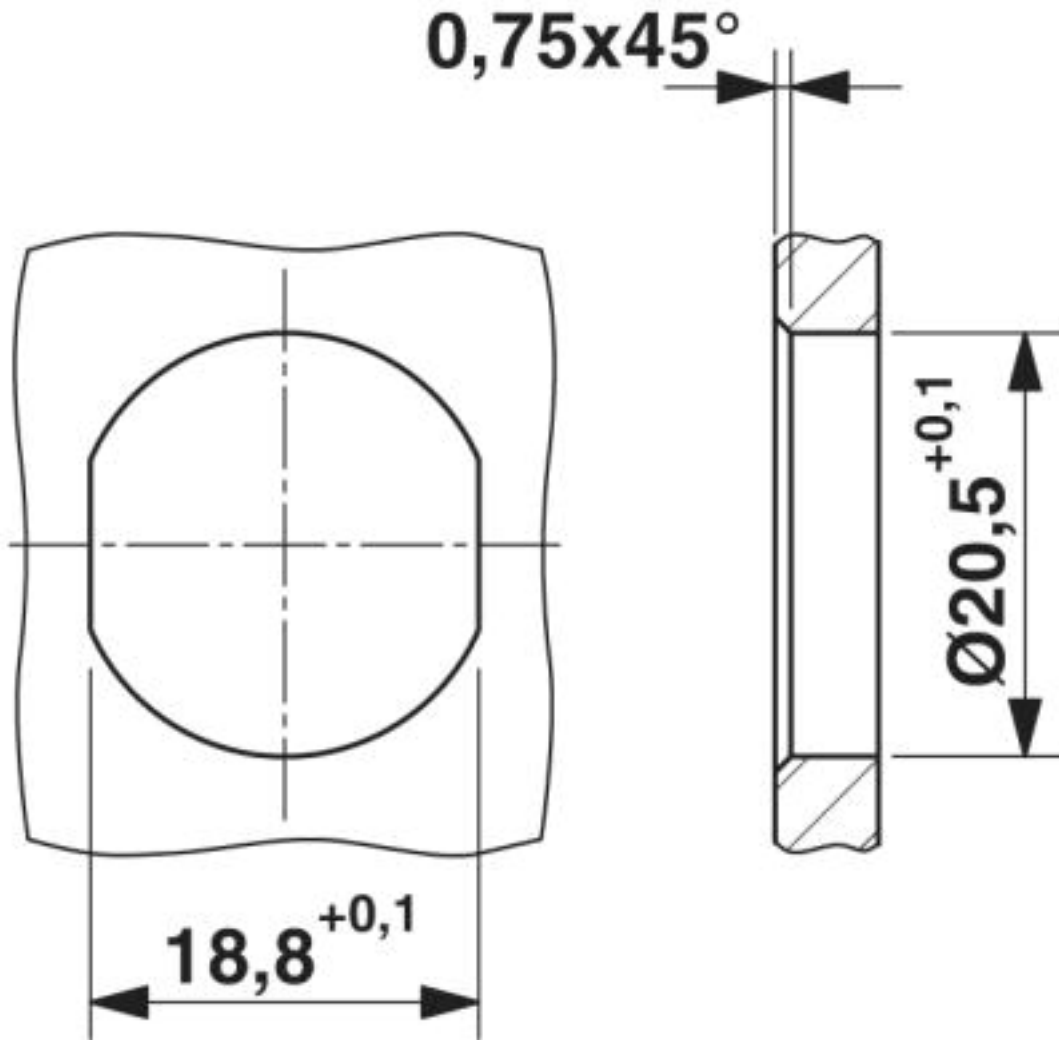
Dimensional drawing



7/8" flush-type plug

Flush-type connector - SACC-E-MINFS-3CON-PG13/0,5 - 1521407

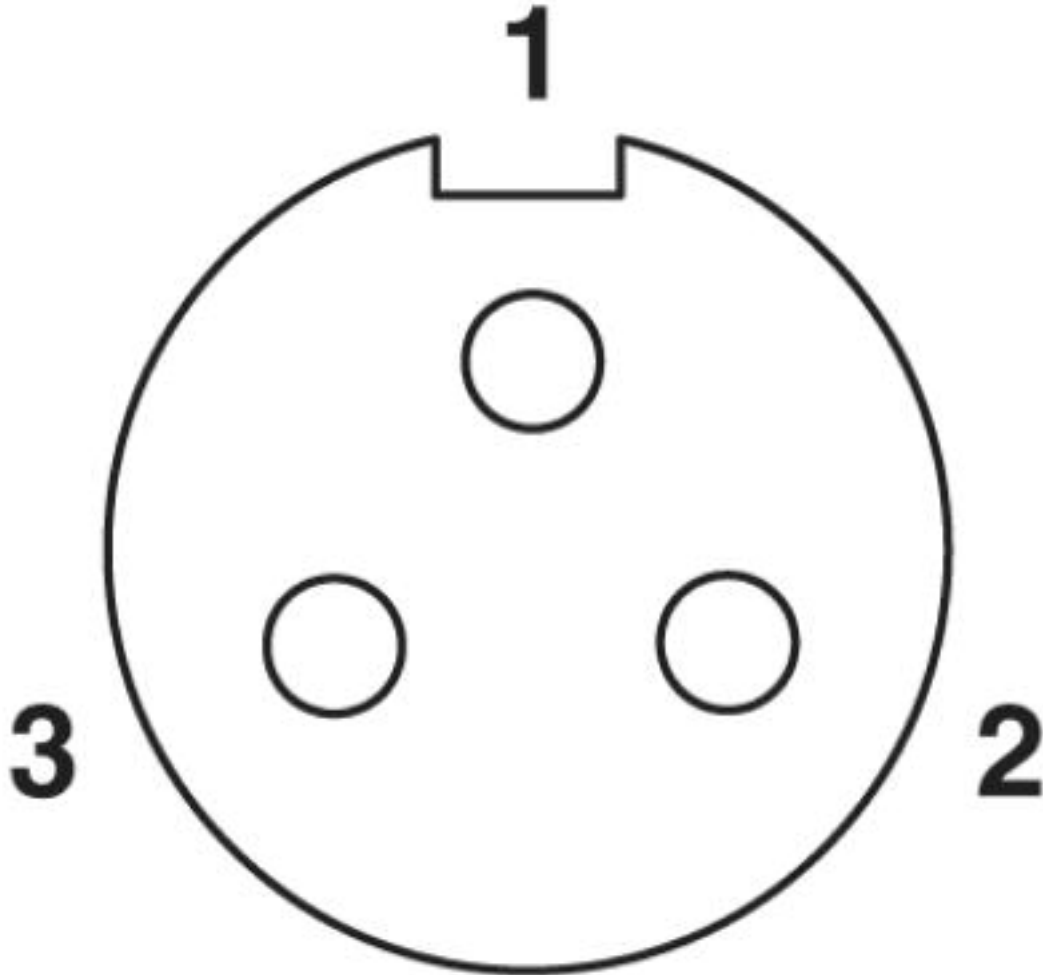
Dimensional drawing



Mounting panel with feed-through hole

Flush-type connector - SACC-E-MINFS-3CON-PG13/0,5 - 1521407

Schematic diagram



Pin assignment, socket, 7/8"-16UNF, 3-pos., view of female side

Classifications

eCl@ss

eCl@ss 4.0	27140815
eCl@ss 4.1	27140815
eCl@ss 5.0	27143423
eCl@ss 5.1	27143400
eCl@ss 6.0	27279200
eCl@ss 7.0	27440103
eCl@ss 8.0	27440103
eCl@ss 9.0	27440102

Flush-type connector - SACC-E-MINFS-3CON-PG13/0,5 - 1521407

Classifications

ETIM

ETIM 2.0	EC001297
ETIM 3.0	EC002061
ETIM 4.0	EC002062
ETIM 5.0	EC002061
ETIM 6.0	EC002061

UNSPSC

UNSPSC 6.01	31251501
UNSPSC 7.0901	31251501
UNSPSC 11	31251501
UNSPSC 12.01	31251501
UNSPSC 13.2	39121413
UNSPSC 19.0	39121413

Phoenix Contact 2020 © - all rights reserved
<http://www.phoenixcontact.com>

PHOENIX CONTACT GmbH & Co. KG
Flachsmarktstr. 8
32825 Blomberg
Germany
Tel. +49 5235 300
Fax +49 5235 3 41200
<http://www.phoenixcontact.com>