

Counter nut - A-INL-PG7-P-LG - 1424548

Please be informed that the data shown in this PDF Document is generated from our Online Catalog. Please find the complete data in the user's documentation. Our General Terms of Use for Downloads are valid (<http://phoenixcontact.com/download>)

Counter nut, material: PA 6 GF 30, connecting thread: Pg7, color: lightgrey RAL 7035



RoHS

Key Commercial Data

Packing unit	10 pc
GTIN	
GTIN	4055626374529

Technical data

Dimensions

Length	5 mm
Connecting thread diameter	12.5 mm
Wrench size, counter nut	19 mm
Hexagon angular dimension	21 mm

Ambient conditions

Ambient temperature (operation)	-40 °C ... 100 °C
---------------------------------	-------------------

General

Material	PA 6 GF 30
Flammability rating according to UL 94	V2
Color	lightgrey RAL 7035

Standards and Regulations

Halogen-free	yes
Flammability rating according to UL 94	V2

Environmental Product Compliance

China RoHS	Environmentally friendly use period: unlimited = EFUP-e
------------	---

Counter nut - A-INL-PG7-P-LG - 1424548

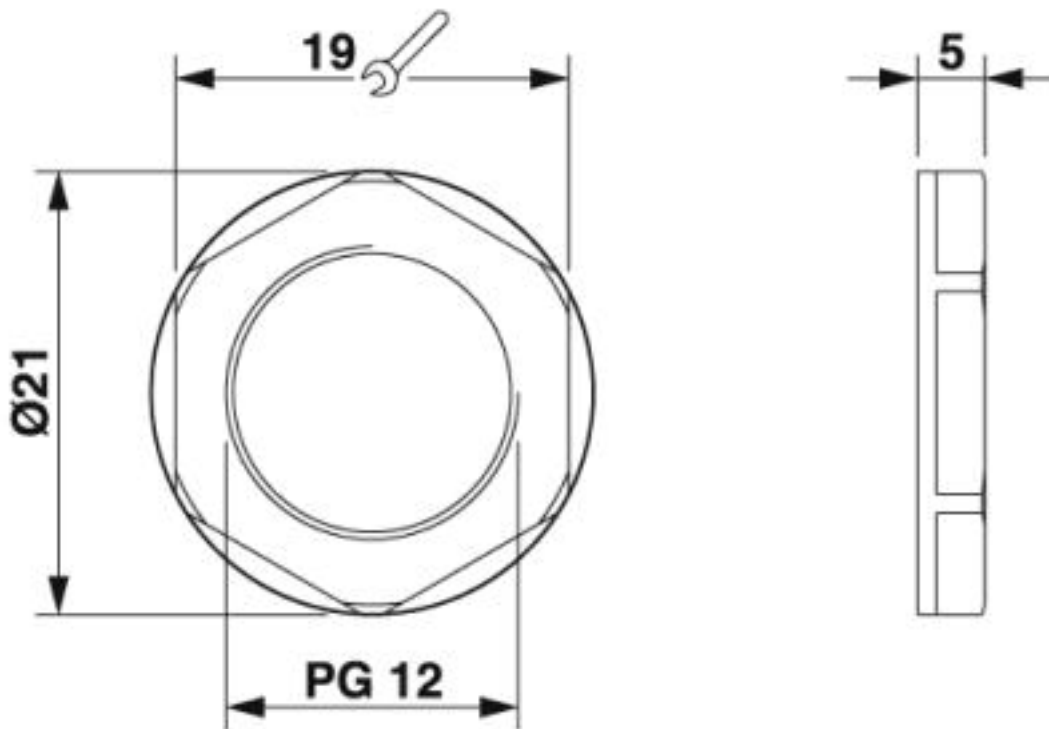
Technical data

Environmental Product Compliance

	No hazardous substances above threshold values
--	--

Drawings

Dimensional drawing



Dimensional drawing

Classifications

eCl@ss

eCl@ss 10.0.1	27144424
eCl@ss 5.1	27149109
eCl@ss 6.0	27149109
eCl@ss 7.0	27069219
eCl@ss 8.0	27069219
eCl@ss 9.0	27144424

ETIM

ETIM 5.0	EC000129
ETIM 6.0	EC000940
ETIM 7.0	EC000940

Phoenix Contact 2020 © - all rights reserved
<http://www.phoenixcontact.com>

PHOENIX CONTACT GmbH & Co. KG
Flachsmarktstr. 8
32825 Blomberg
Germany
Tel. +49 5235 300
Fax +49 5235 3 41200
<http://www.phoenixcontact.com>