

## Flush-type connector - SACC-E-M8MS-5CON-M10/0,5 DN - 1424234

Please be informed that the data shown in this PDF Document is generated from our Online Catalog. Please find the complete data in the user's documentation. Our General Terms of Use for Downloads are valid (<http://phoenixcontact.com/download>)



Flush-type connector, DeviceNet™, 5-position, Plug, straight, M8, Front mounting, M10, Individual wires, cable length: 0.5 m, 0.25 mm², PVC litz wire

### Your advantages

- ✓ Pre-assembled with litz wires for immediate use
- ✓ Customer-specific assemblies and litz wire lengths available
- ✓ Sealed on the litz wire side for optimum leak-tightness
- ✓ Standard pin assignments and codings for signal transmission with a uniform design-in design

### Key Commercial Data

|              |               |
|--------------|---------------|
| Packing unit | 1 pc          |
| GTIN         |               |
| GTIN         | 4046356712460 |

### Technical data

#### Dimensions

|                 |       |
|-----------------|-------|
| Length of cable | 0.5 m |
|-----------------|-------|

#### Ambient conditions

|                                 |                                  |
|---------------------------------|----------------------------------|
| Ambient temperature (operation) | -25 °C ... 85 °C (Plug / socket) |
| Degree of protection            | IP67                             |

#### General

|                       |             |
|-----------------------|-------------|
| Rated current at 40°C | 3 A         |
| Rated voltage         | 30 V AC     |
|                       | 30 V DC     |
| Number of positions   | 5           |
| Insulation resistance | ≥ 100 MΩ    |
| Coding                | B - inverse |

# Flush-type connector - SACC-E-M8MS-5CON-M10/0,5 DN - 1424234

## Technical data

### General

|                       |                              |
|-----------------------|------------------------------|
| Standards/regulations | M8 connector IEC 61076-2-104 |
| Status display        | No                           |
| Overvoltage category  | II                           |
| Degree of pollution   | 3                            |
| Connection method     | Individual wires             |
| Mounting type         | Front mounting M10           |

### Material

|  |                              |
|--|------------------------------|
| Flammability rating according to UL 94 | HB                           |
| Contact material                       | Cu alloy                     |
| Contact surface material               | Au                           |
| Contact carrier material               | PA 6.6                       |
| Material, knurls                       | Zinc die-cast, nickel-plated |

### Cable

|                                    |   |
|------------------------------------|---|
| Cable type                         | PVC litz wire                                 |
| Conductor cross section            | 0.25 mm <sup>2</sup>                          |
| AWG signal line                    | 24  |
| Conductor structure signal line    | 7x 0.20 mm                                    |
| Core diameter including insulation | 1.5 mm ±0.1 mm                                |
| Thickness, insulation              | 0.21 mm                                       |
| Wire colors                        | gray, red, white, black, blue                 |
| Material conductor insulation      | PVC / UL                                      |
| Conductor material                 | Tin-plated Cu litz wires                      |
| Standards/specifications           | M8 connector IEC 61076-2-104                  |
| Insulation resistance              | ≥ 20 MΩ*km                                    |
| Conductor resistance               | ≥ 80 Ω/km                                     |
| Nominal voltage, cable             | 300 V   |
| Test voltage, cable                | 2000 V AC                                     |
| Ambient temperature (operation)    | -40 °C ... 105 °C (cable, fixed installation) |
|                                    | -10 °C ... 105 °C                             |

### Standards and Regulations

|  |                              |
|--|------------------------------|
| Standards/specifications               | M8 connector IEC 61076-2-104 |
| Flammability rating according to UL 94 | HB                           |

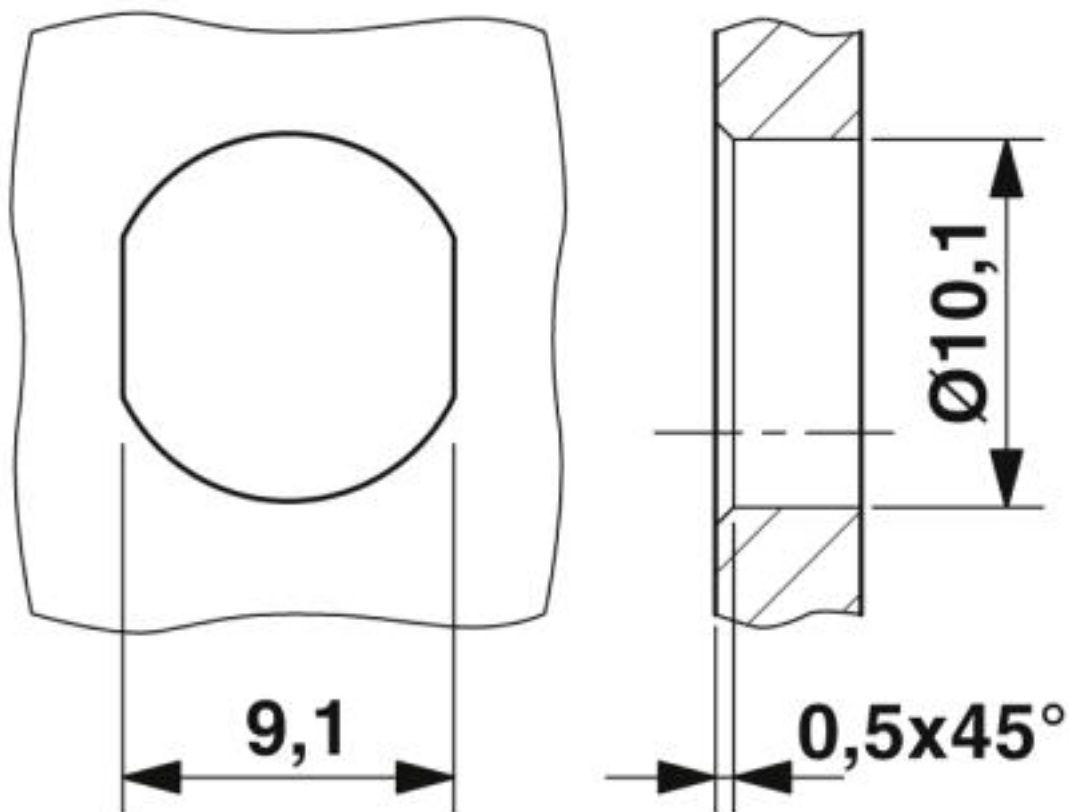
### Environmental Product Compliance

|            |   |
|------------|---|
| China RoHS | Environmentally Friendly Use Period = 25;   |
|            | For details about hazardous substances go to tab "Downloads", Category "Manufacturer's declaration" |

## Drawings

# Flush-type connector - SACC-E-M8MS-5CON-M10/0,5 DN - 1424234

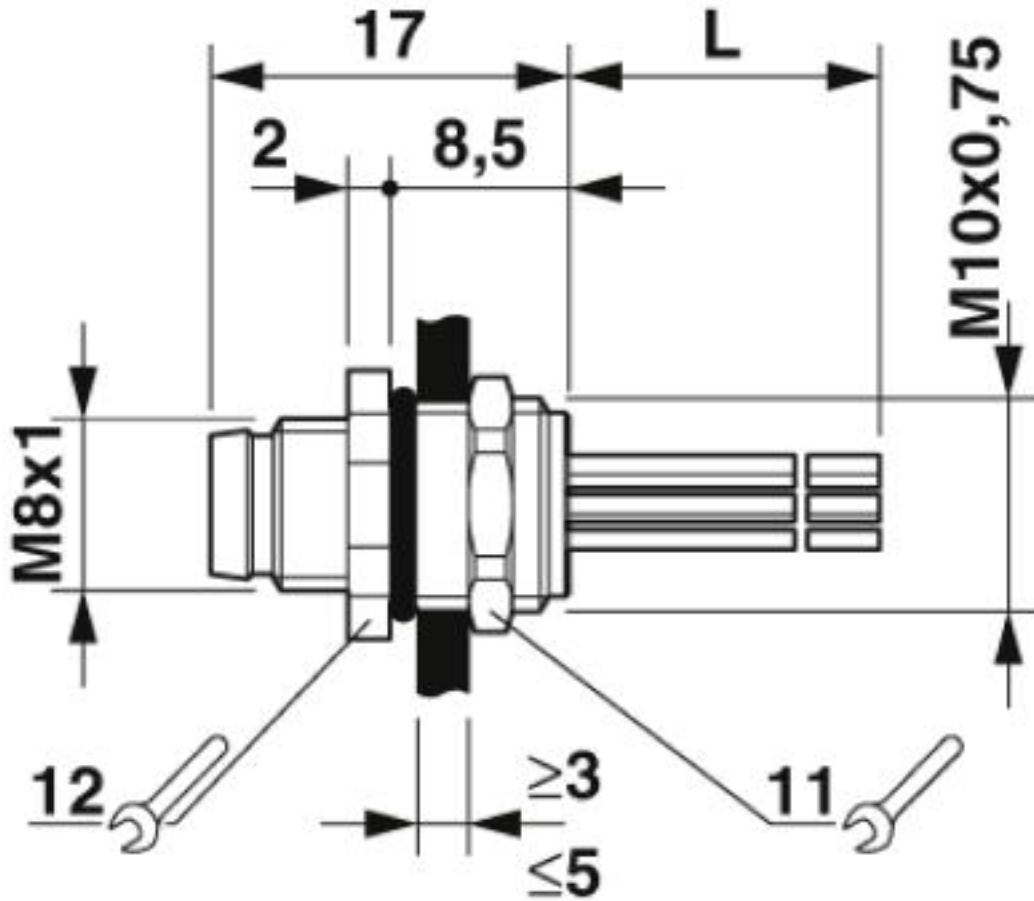
Dimensional drawing



Mounting panel with feed-through hole

# Flush-type connector - SACC-E-M8MS-5CON-M10/0,5 DN - 1424234

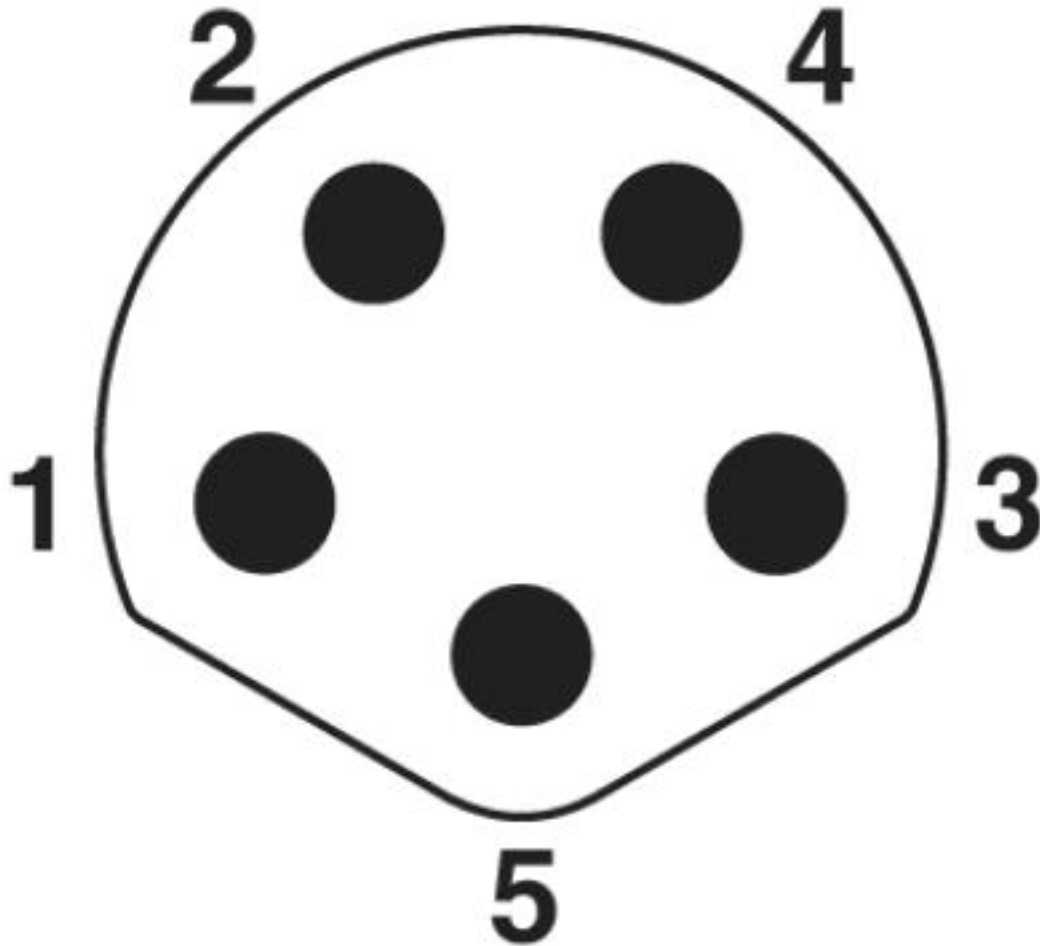
Dimensional drawing



M8 flush-type plug

# Flush-type connector - SACC-E-M8MS-5CON-M10/0,5 DN - 1424234

Schematic diagram



Pin assignment M8 plug, 5-pos., B-coded, view plug side

## Classifications

eCl@ss

|               |          |
|---------------|----------|
| eCl@ss 10.0.1 | 27440102 |
| eCl@ss 4.0    | 27140800 |
| eCl@ss 4.1    | 27140800 |
| eCl@ss 5.0    | 27143400 |
| eCl@ss 5.1    | 27143400 |
| eCl@ss 6.0    | 27279200 |
| eCl@ss 7.0    | 27440103 |
| eCl@ss 8.0    | 27440103 |
| eCl@ss 9.0    | 27440102 |

# Flush-type connector - SACC-E-M8MS-5CON-M10/0,5 DN - 1424234

## Classifications

### ETIM

|          |          |
|----------|----------|
| ETIM 3.0 | EC002061 |
| ETIM 4.0 | EC002635 |
| ETIM 5.0 | EC002061 |
| ETIM 6.0 | EC002061 |

### UNSPSC

|               |          |
|---------------|----------|
| UNSPSC 6.01   | 31251501 |
| UNSPSC 7.0901 | 31251501 |
| UNSPSC 11     | 31251501 |
| UNSPSC 12.01  | 31251501 |
| UNSPSC 13.2   | 39121413 |
| UNSPSC 18.0   | 39121413 |
| UNSPSC 19.0   | 39121413 |
| UNSPSC 20.0   | 39121413 |
| UNSPSC 21.0   | 39121413 |

## Approvals


### Approvals


#### Approvals

UL Recognized / cUL Recognized / EAC / cULus Recognized

#### Ex Approvals

### Approval details

|                            |   |   |               |
|----------------------------|---|---|---------------|
| UL Recognized              |  | <a href="http://database.ul.com/cgi-bin/XYV/template/LISEXT/1FRAME/index.htm">http://database.ul.com/cgi-bin/XYV/template/LISEXT/1FRAME/index.htm</a> | FILE E 221474 |
| Nominal voltage UN         | 30 V  |   |               |
| Nominal current IN         | 4 A   |   |               |
| mm <sup>2</sup> /AWG/kcmil | 24  |   |               |

|                    |   |   |               |
|--------------------|---|---|---------------|
| cUL Recognized     |  | <a href="http://database.ul.com/cgi-bin/XYV/template/LISEXT/1FRAME/index.htm">http://database.ul.com/cgi-bin/XYV/template/LISEXT/1FRAME/index.htm</a> | FILE E 221474 |
| Nominal voltage UN | 30 V  |   |               |

## Flush-type connector - SACC-E-M8MS-5CON-M10/0,5 DN - 1424234

### Approvals

|                                |     |
|--------------------------------|-----|
| Nominal current I <sub>N</sub> | 4 A |
| mm <sup>2</sup> /AWG/kcmil     | 24  |

|     |   |         |
|-----|---|---------|
| EAC |  | B.01687 |
|-----|---|---------|

|                  |   |
|------------------|---|
| cULus Recognized |  |
|------------------|---|

Phoenix Contact 2020 © - all rights reserved  
<http://www.phoenixcontact.com>

PHOENIX CONTACT GmbH & Co. KG  
Flachsmarktstr. 8  
32825 Blomberg  
Germany  
Tel. +49 5235 300  
Fax +49 5235 3 41200  
<http://www.phoenixcontact.com>