

# Flush-type connector - SACC-E-MINF-3CON-NPT12-547/1,0 - 1420948


Please be informed that the data shown in this PDF Document is generated from our Online Catalog. Please find the complete data in the user's documentation. Our General Terms of Use for Downloads are valid (<http://phoenixcontact.com/download>)



Flush-type connector, 3-position, Socket, straight, 7/8"-16UNF, on free cable end, Front mounting, with 1/2 inch-14 NPT mounting thread, Individual wires, cable length: 1 m, 0.75 mm<sup>2</sup>, PVC litz wire

RoHS

## Key Commercial Data

Packing unit	1 pc
Minimum order quantity	10 pc
GTIN	 4 055626 403557
GTIN	4055626403557

## Technical data

### Note

Trade restriction	The products are offered exclusively for export outside the EU and the European Economic Area.
-------------------	--

### Dimensions

Length of cable	1 m
-----------------	-----

### Ambient conditions

Degree of protection	IP68
----------------------	------

### General

Rated current at 40°C	13 A
Rated voltage	600 V AC
	600 V DC
Number of positions	3
Insulation resistance	≥ 100 MΩ
Standards/regulations	7/8-inch connector UL 2238 Suitable for use in Class I, Division 2 Groups A, B, C, D hazardous locations according to ISA standard 12.12.01-2015, section 8.2 and 8.8.3
Status display	No

# Flush-type connector - SACC-E-MINF-3CON-NPT12-547/1,0 - 1420948

## Technical data

### General

Degree of pollution	3
Connection method	Individual wires
Insertion/withdrawal cycles	> 500
Torque	10 lb <sub>F</sub> -in.
	1.12 Nm
Mounting type	Front mounting, with 1/2 inch-14 NPT mounting thread

### Material

Flammability rating according to UL 94	V-0
Contact material	Copper alloy
Contact surface material	Au
Contact carrier material	PVC
Material, knurls	Anodized aluminum

### Cable

Cable type	PVC litz wire
Conductor cross section	0.75 mm <sup>2</sup>
AWG signal line	18
Conductor structure signal line	16 x AWG 30
Core diameter including insulation	1.78 mm
Thickness, insulation	Core insulation
Wire colors	Black 1, brown 2, blue 3
Material conductor insulation	PVC
Standards/specifications	7/8-inch connector UL 2238 Suitable for use in Class I, Division 2 Groups A, B, C, D hazardous locations according to ISA standard 12.12.01-2015, section 8.2 and 8.8.3

### Standards and Regulations

Standards/specifications	7/8-inch connector UL 2238 Suitable for use in Class I, Division 2 Groups A, B, C, D hazardous locations according to ISA standard 12.12.01-2015, section 8.2 and 8.8.3
Flammability rating according to UL 94	V-0

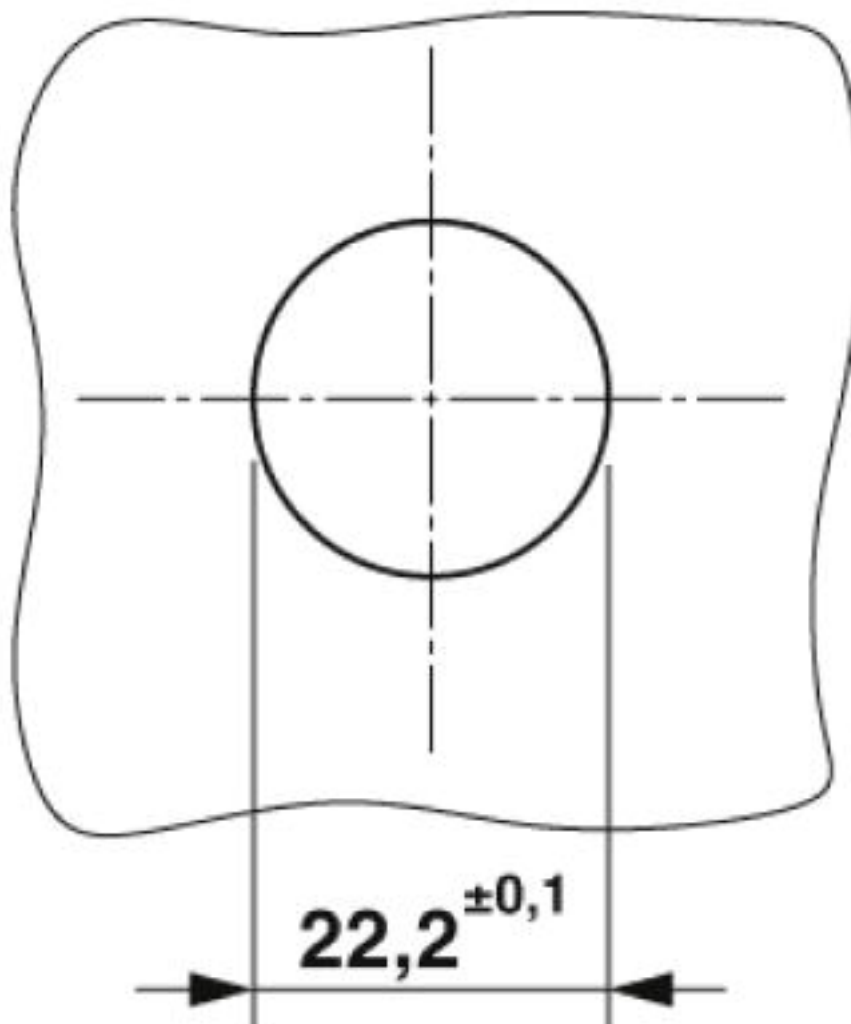
### Environmental Product Compliance

China RoHS	Environmentally Friendly Use Period = 50 years
	For details about hazardous substances go to tab "Downloads", Category "Manufacturer's declaration"

## Drawings

# Flush-type connector - SACC-E-MINF-3CON-NPT12-547/1,0 - 1420948

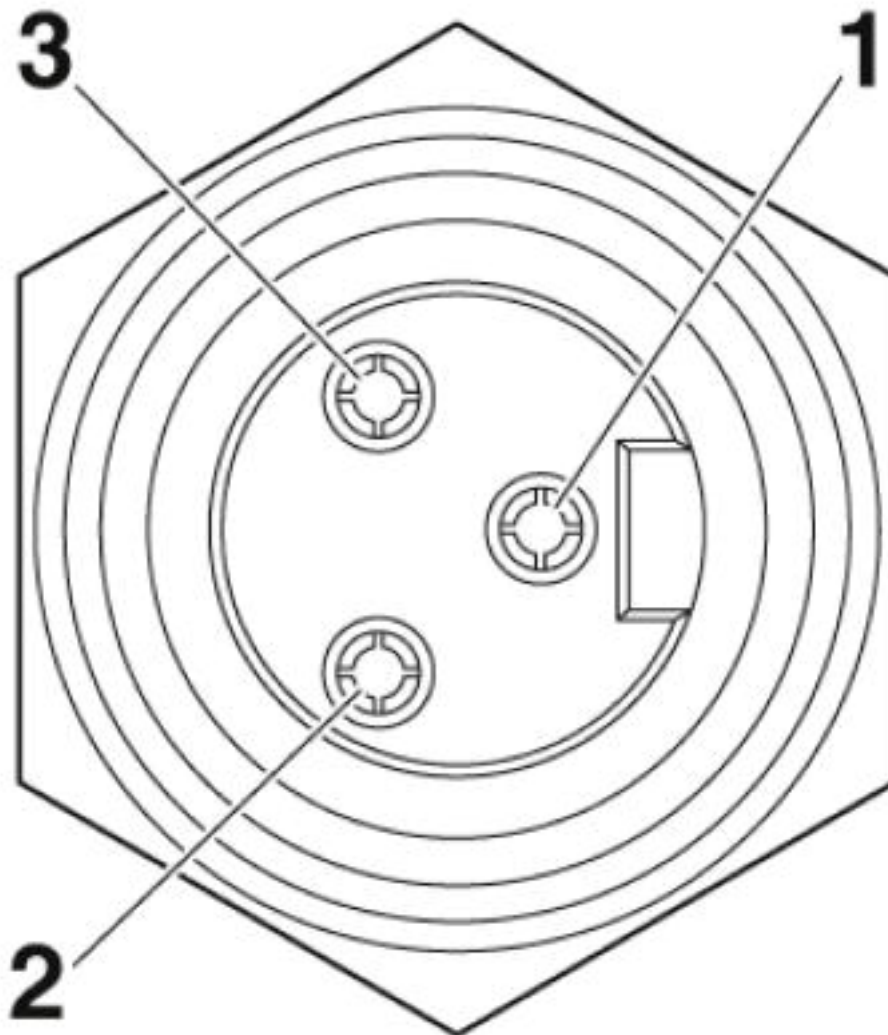
Dimensional drawing



Housing cutout

# Flush-type connector - SACC-E-MINF-3CON-NPT12-547/1,0 - 1420948

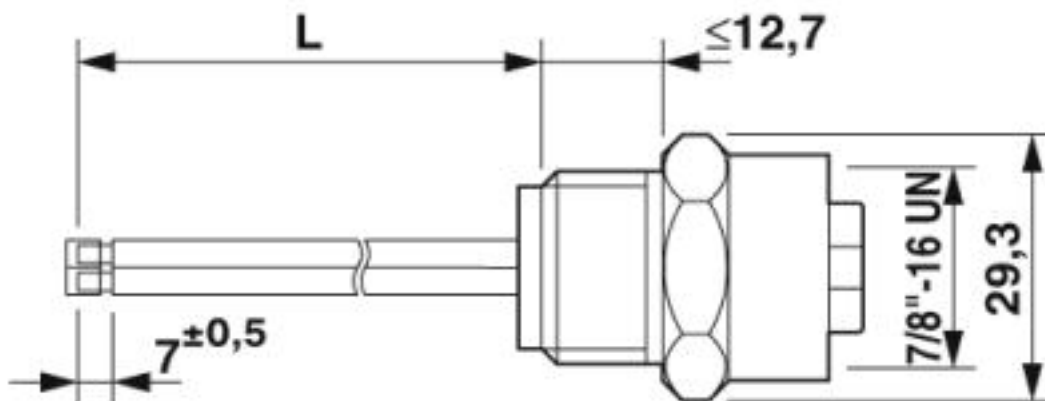
Schematic diagram



Pin assignment, socket, 7/8"-16UNF, 3-pos., view of female side (reference image)

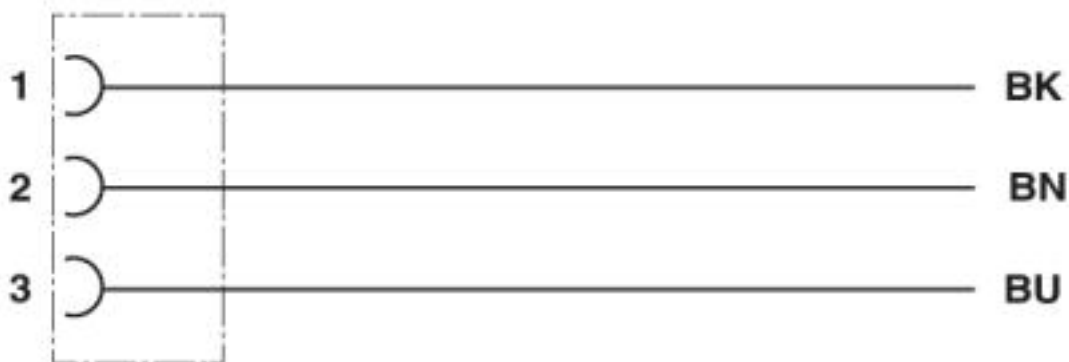
# Flush-type connector - SACC-E-MINF-3CON-NPT12-547/1,0 - 1420948

Dimensional drawing



7/8" flush-type socket

Circuit diagram



Contact assignment of 7/8" socket

## Classifications

eCl@ss

eCl@ss 10.0.1	27440109
eCl@ss 4.0	27140815
eCl@ss 4.1	27140815
eCl@ss 5.0	27143423
eCl@ss 5.1	27143423
eCl@ss 6.0	27143423
eCl@ss 7.0	27449001
eCl@ss 9.0	27440103

ETIM

ETIM 3.0	EC002061
ETIM 4.0	EC002062

# Flush-type connector - SACC-E-MINF-3CON-NPT12-547/1,0 - 1420948

## Classifications

### ETIM

ETIM 5.0	EC002635
ETIM 6.0	EC002061

### UNSPSC

UNSPSC 6.01	31251501
UNSPSC 7.0901	31251501
UNSPSC 11	31251501
UNSPSC 12.01	31251501
UNSPSC 13.2	39121413
UNSPSC 18.0	39121413
UNSPSC 19.0	39121413
UNSPSC 20.0	39121413
UNSPSC 21.0	39121413

## Approvals

### Approvals

#### Approvals

UL Listed / cUL Listed / EAC / cULus Listed

#### Ex Approvals

### Approval details

UL Listed		<a href="http://database.ul.com/cgi-bin/XYV/template/LISEXT/1FRAME/index.htm">http://database.ul.com/cgi-bin/XYV/template/LISEXT/1FRAME/index.htm</a>	FILE E 221474
-----------	--	---	---------------

cUL Listed		<a href="http://database.ul.com/cgi-bin/XYV/template/LISEXT/1FRAME/index.htm">http://database.ul.com/cgi-bin/XYV/template/LISEXT/1FRAME/index.htm</a>	FILE E 221474
------------	--	---	---------------

EAC		RU C- DE.BL08.B.00511
-----	--	--------------------------

cULus Listed	
--------------	--

## Flush-type connector - SACC-E-MINF-3CON-NPT12-547/1,0 - 1420948

### Accessories

#### Accessories

SACC-1/2 NPT-LOCKNUT - 1020362



Locknut, 1/2 inch-14 NPT thread

---

Seal - SACC-MIN-SEAL - 1020363



Seal for MINI 7/8-inch panel feed through with 1/2 inch-14 NPT thread

---

Phoenix Contact 2020 © - all rights reserved  
<http://www.phoenixcontact.com>

PHOENIX CONTACT GmbH & Co. KG  
Flachsmarktstr. 8  
32825 Blomberg  
Germany  
Tel. +49 5235 300  
Fax +49 5235 3 41200  
<http://www.phoenixcontact.com>