

# Flush-type connector - SACC-DSI-M12MS-8CON-M16/0,5 - 1419687

Please be informed that the data shown in this PDF Document is generated from our Online Catalog. Please find the complete data in the user's documentation. Our General Terms of Use for Downloads are valid (<http://phoenixcontact.com/download>)




Sensor/actuator flush-type plug, 8-pos., M12 SPEEDCON, rear/screw mounting with M16 thread, with 0.5 m TPE litz wire, 8 x 0.25 mm<sup>2</sup>

## Your advantages

- ✓ Pre-assembled with litz wires for immediate use
- ✓ Customer-specific assemblies and litz wire lengths available
- ✓ Sealed on the litz wire side for optimum leak-tightness
- ✓ All standard pin assignments and codings for signal, data, and power transmission with a uniform design-in design
- ✓ For high transmission safety: shield connection to the housing with optional EMC nut
- ✓ SPEEDCON fast locking system reduces cabling times



## Key Commercial Data

|              |   |
|--------------|---|
| Packing unit | 1 pc  |
| GTIN         | <br>4 0 4 6 3 5 6 5 3 3 5 3 9 |
| GTIN         | 4046356533539   |

## Technical data

### Dimensions

|                 |       |
|-----------------|-------|
| Length of cable | 0.5 m |
|-----------------|-------|

### Ambient conditions

|                                 |                                  |
|---------------------------------|----------------------------------|
| Ambient temperature (operation) | -25 °C ... 85 °C (Plug / socket) |
| Degree of protection            | IP67 (When plugged in)           |
|                                 | IP65 (When plugged in)           |

### General

|      |  |
|------|--|
| Note | The electrical and mechanical data specified assume that the connector pair is correctly locked and mounted. If the connector is unlocked and if there is a danger of contamination, the connector must be sealed using a protective cap > IP54. Influences arising from litz wires, cables or PCB assembly must also be taken into consideration. |
|------|--|

# Flush-type connector - SACC-DSI-M12MS-8CON-M16/0,5 - 1419687

## Technical data

### General

|                             |                                       |
|-----------------------------|---------------------------------------|
| Rated current at 40°C       | 2 A                                   |
| Rated voltage               | 30 V                                  |
| Rated surge voltage         | 0.8 kV                                |
| Number of positions         | 8                                     |
| Insulation resistance       | ≥ 100 MΩ                              |
| Coding                      | A - standard                          |
| Standards/regulations       | M12 connector IEC 61076-2-101         |
| Status display              | No                                    |
| Overvoltage category        | II                                    |
| Degree of pollution         | 3                                     |
| Connection method           | Individual wires                      |
| Insertion/withdrawal cycles | > 100                                 |
| Torque                      | 3 Nm ... 4 Nm (Installation-side)     |
| Mounting type               | Rear mounting M16 x 1.5 With flat nut |

### Material

|  |                              |
|--|------------------------------|
| Flammability rating according to UL 94 | V0                           |
| Contact material                       | CuZn                         |
| Contact surface material               | Au                           |
| Contact carrier material               | PA 6.6                       |
| Material, knurls                       | Zinc die-cast, nickel-plated |
| Sealing material                       | FKM                          |

### Cable

|                                    |  |
|------------------------------------|--|
| Cable type                         | TPE litz wire                                      |
| Conductor cross section            | 0.25 mm²   |
| AWG signal line                    | 24   |
| Conductor structure signal line    | 14x 0.15 mm  |
| Core diameter including insulation | 1.15 mm ±0.07 mm                                   |
| Thickness, insulation              | 0.21 mm  |
| Wire colors                        | Brown, blue, white, gray, pink, red, yellow, green |
| Material conductor insulation      | TPE  |
| Conductor material                 | Tin-plated Cu litz wires                           |
| Standards/specifications           | M12 connector IEC 61076-2-101                      |
| Insulation resistance              | ≥ 20 MΩ*km   |
| Conductor resistance               | ≤ 80 mΩ/m  |
| Nominal voltage, cable             | 300 V  |
| Test voltage, cable                | 2000 V AC  |
| Ambient temperature (operation)    | -40 °C ... 85 °C (cable, fixed installation)       |
|                                    | -25 °C ... 85 °C (cable, flexible installation)    |

### Standards and Regulations

# Flush-type connector - SACC-DSI-M12MS-8CON-M16/0,5 - 1419687

## Technical data

### Standards and Regulations

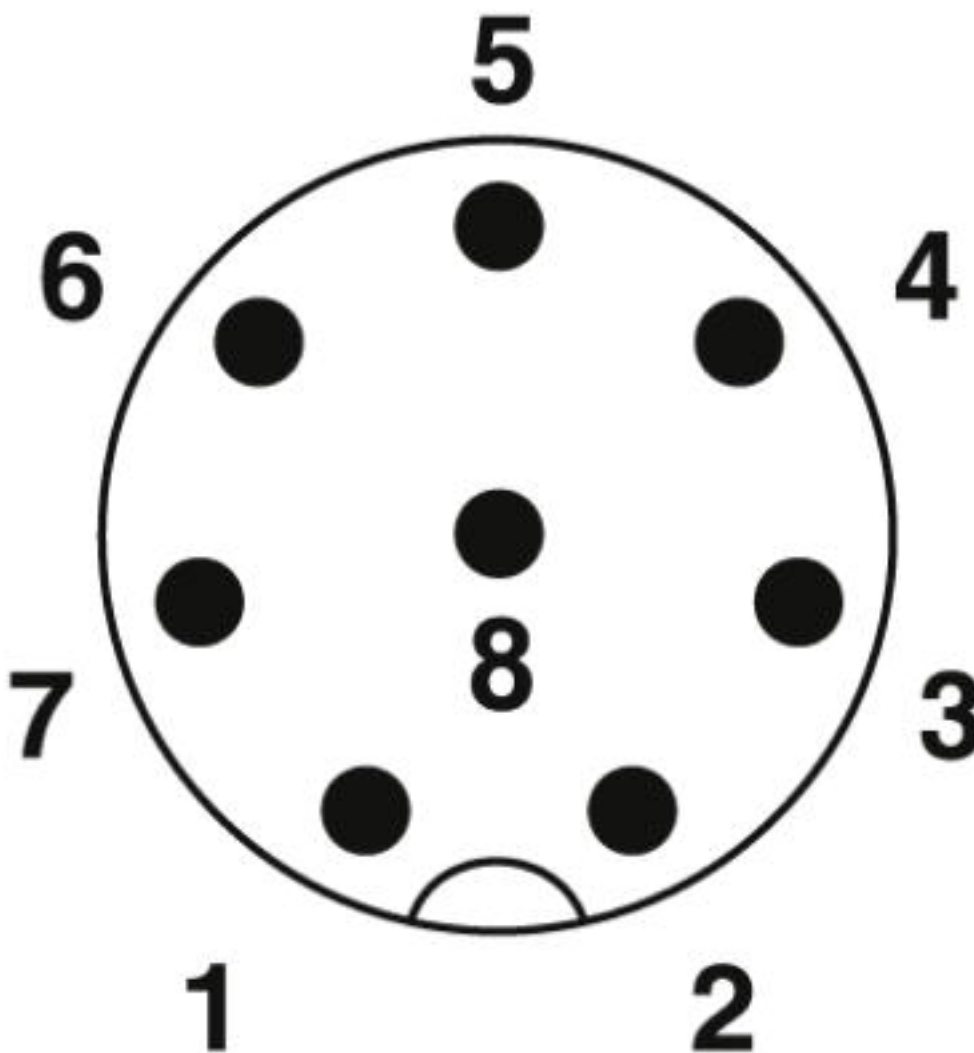
|  |                               |
|--|-------------------------------|
| Standards/specifications               | M12 connector IEC 61076-2-101 |
| Flammability rating according to UL 94 | V0                            |

### Environmental Product Compliance

|            |   |
|------------|---|
| REACH SVHC | Lead 7439-92-1  |
| China RoHS | Environmentally Friendly Use Period = 50 years  |
|            | For details about hazardous substances go to tab "Downloads", Category "Manufacturer's declaration" |

## Drawings

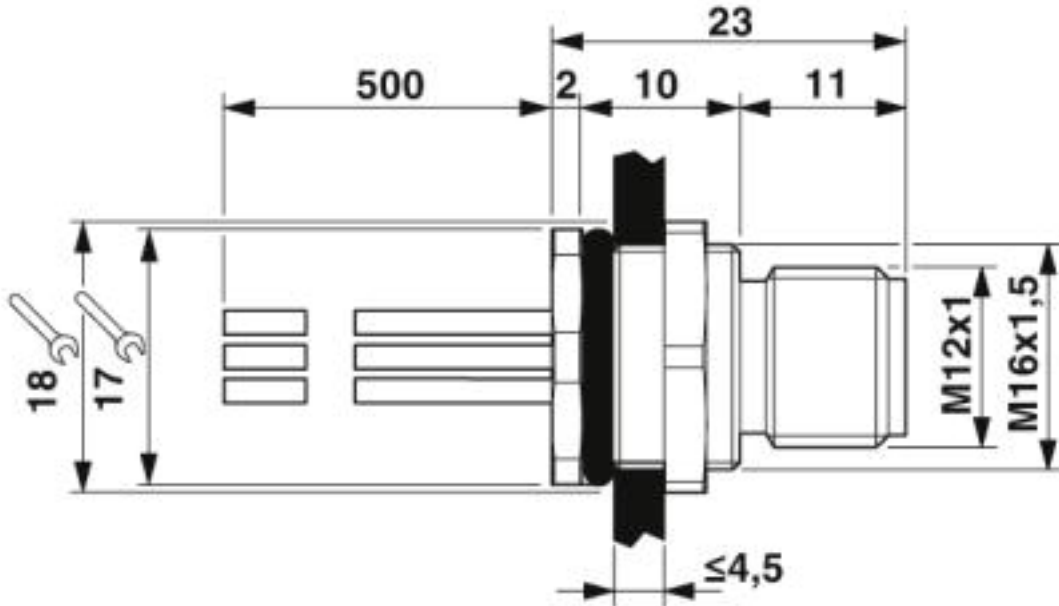
Schematic diagram



Pin assignment M12 plug, 8-pos., view plug side

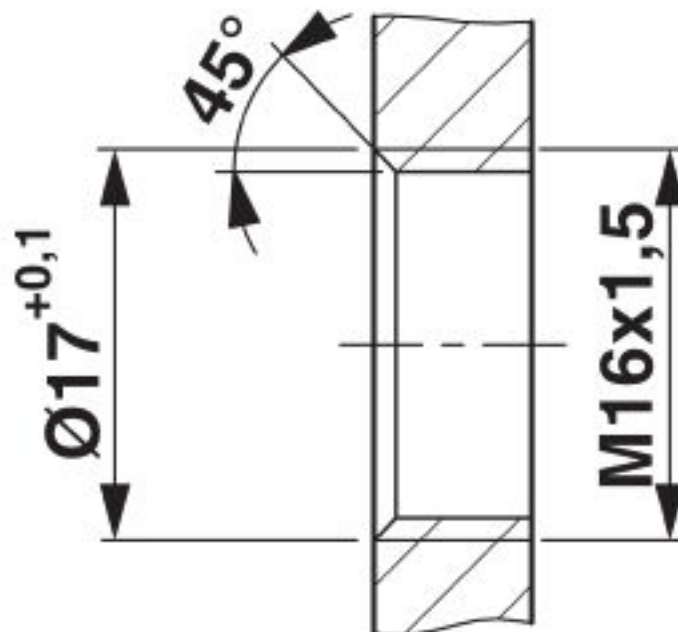
# Flush-type connector - SACC-DSI-M12MS-8CON-M16/0,5 - 1419687

Dimensional drawing



M12 flush-type plug

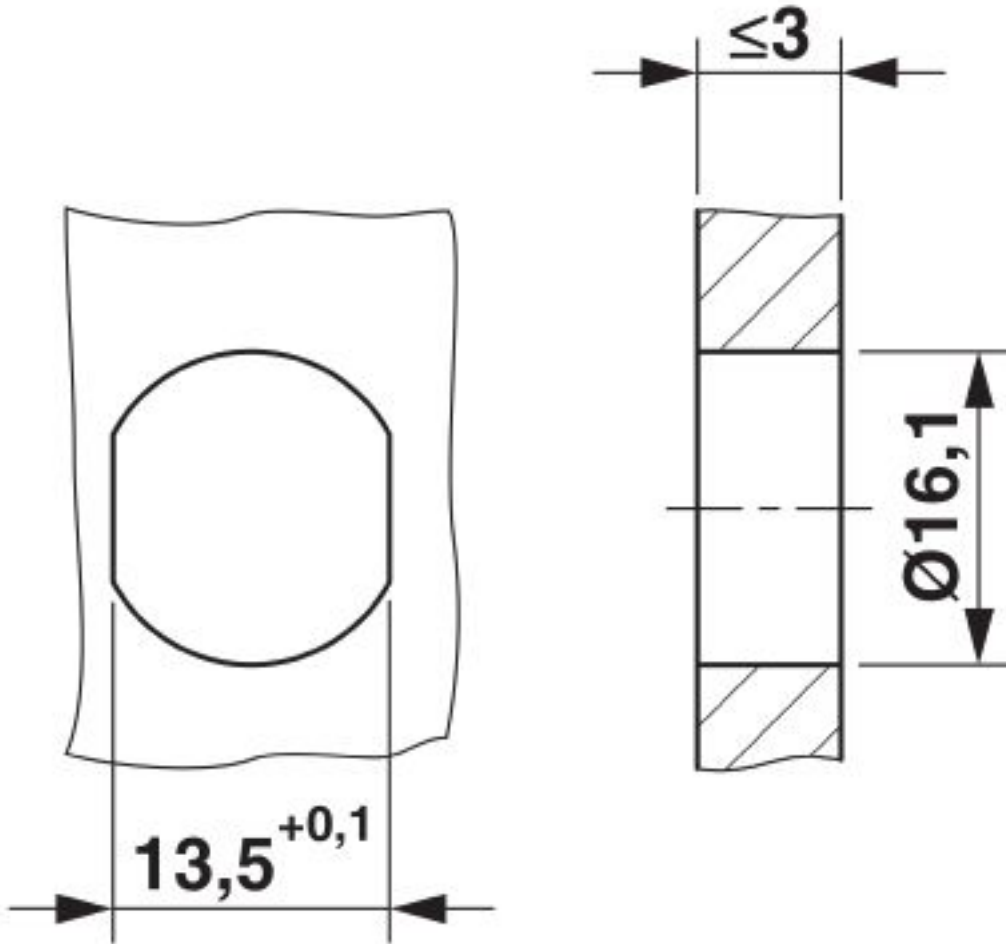
Dimensional drawing



Housing cutout for M16 fastening thread, mounting panel with thread

# Flush-type connector - SACC-DSI-M12MS-8CON-M16/0,5 - 1419687

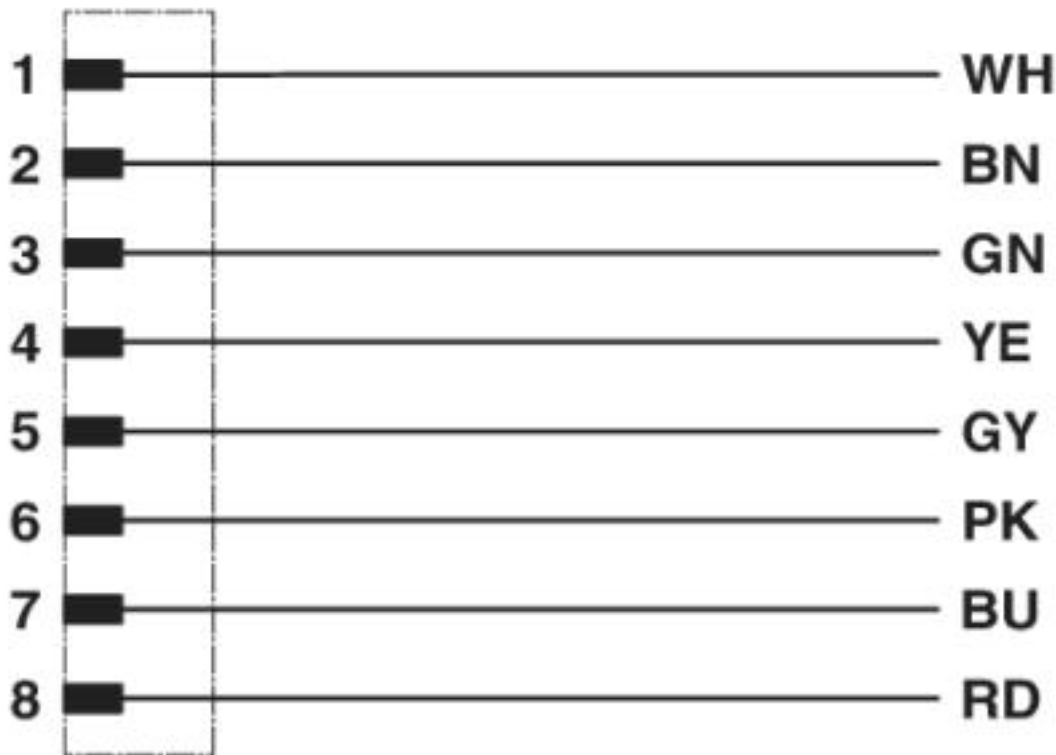
Dimensional drawing



Housing cutout for M16 fastening thread, mounting panel with feed-through hole (alternatively with area as anti-rotation protection for panel thicknesses > 2 mm up to max. 4.5 mm)

# Flush-type connector - SACC-DSI-M12MS-8CON-M16/0,5 - 1419687

Circuit diagram



Contact assignment of the M12 plug

## Classifications

eCl@ss

|               |          |
|---------------|----------|
| eCl@ss 10.0.1 | 27440102 |
| eCl@ss 4.0    | 27140800 |
| eCl@ss 4.1    | 27140800 |
| eCl@ss 5.0    | 27143400 |
| eCl@ss 5.1    | 27143400 |
| eCl@ss 6.0    | 27279200 |
| eCl@ss 7.0    | 27440103 |
| eCl@ss 8.0    | 27440103 |
| eCl@ss 9.0    | 27440102 |

ETIM

|          |          |
|----------|----------|
| ETIM 2.0 | EC001297 |
| ETIM 3.0 | EC002061 |
| ETIM 4.0 | EC002061 |
| ETIM 5.0 | EC002061 |
| ETIM 6.0 | EC002061 |

# Flush-type connector - SACC-DSI-M12MS-8CON-M16/0,5 - 1419687

## Classifications

### UNSPSC

|               |          |
|---------------|----------|
| UNSPSC 6.01   | 31251501 |
| UNSPSC 7.0901 | 31251501 |
| UNSPSC 11     | 31251501 |
| UNSPSC 12.01  | 31251501 |
| UNSPSC 13.2   | 39121413 |
| UNSPSC 18.0   | 39121413 |
| UNSPSC 19.0   | 39121413 |
| UNSPSC 20.0   | 39121413 |
| UNSPSC 21.0   | 39121413 |

## Approvals

### Approvals

#### Approvals

UL Recognized / EAC / cULus Recognized

#### Ex Approvals

### Approval details

|                            |      |   |               |
|----------------------------|------|---|---------------|
| UL Recognized              |      | <a href="http://database.ul.com/cgi-bin/XYV/template/LISEXT/1FRAME/index.htm">http://database.ul.com/cgi-bin/XYV/template/LISEXT/1FRAME/index.htm</a> | FILE E 118976 |
| Nominal voltage UN         | 30 V |   |               |
| Nominal current IN         | 2 A  |   |               |
| mm <sup>2</sup> /AWG/kcmil | 24   |   |               |

|     |  |         |
|-----|--|---------|
| EAC |  | B.01687 |
|-----|--|---------|

|                            |       |   |                  |
|----------------------------|-------|---|------------------|
| cULus Recognized           |       | <a href="http://database.ul.com/cgi-bin/XYV/template/LISEXT/1FRAME/index.htm">http://database.ul.com/cgi-bin/XYV/template/LISEXT/1FRAME/index.htm</a> | E221474-20140616 |
| Nominal voltage UN         | 30 V  |   |                  |
| Nominal current IN         | 2 A   |   |                  |
| mm <sup>2</sup> /AWG/kcmil | 24-22 |   |                  |

## Flush-type connector - SACC-DSI-M12MS-8CON-M16/0,5 - 1419687

### Accessories

#### Accessories

#### Protective cap

Sealing cap - PROT-M12 FS - 1560251



M12 sealing cap for unoccupied M12 plugs of the sensor/actuator cable, flush-type plugs and I/O devices in the field

---

Sealing cap - PROT-M12 FS-M - 1430488



M12 metal sealing cap for unoccupied M12 plugs of the sensor/actuator cable, flush-type plugs and I/O devices in the field

---

#### Seal

Flat gasket - SACC-M16-SEAL CLM - 1430394



M16 flat gasket, for rear mounting of M12 flush-type connectors with M16 fastening thread

---

Phoenix Contact 2020 © - all rights reserved  
<http://www.phoenixcontact.com>

PHOENIX CONTACT GmbH & Co. KG  
Flachsmarktstr. 8  
32825 Blomberg  
Germany  
Tel. +49 5235 300  
Fax +49 5235 3 41200  
<http://www.phoenixcontact.com>