

DIN rail adapter - CUC-PP-D1PGY/R4IDC8 - 1419024

Please be informed that the data shown in this PDF Document is generated from our Online Catalog. Please find the complete data in the user's documentation. Our General Terms of Use for Downloads are valid (<http://phoenixcontact.com/download>)



DIN rail adapter, type: RJ45, degree of protection: IP20, number of positions: 8, 10 Gbps, CAT6_A, material: PC-GF, connection method: IDC connection, connection cross section: AWG 26- 22, color: gray

Product Description


DIN rail adapter with RJ45 module for the connection and distribution of Ethernet cables

Your advantages

- DIN rail mounting
- assembly without special tools
- Individual marking field
- 10 Gbps
- Security elements available as accessories
- Optional overall shielding braid for copper modules
- Front-release modules



Key Commercial Data

Packing unit	1 pc
GTIN	 4 055626 251462
GTIN	4055626251462

Technical data

Mechanical characteristics

Connection method	IDC connection
Number of slots	1
Minimum external conductor diameter	4.5 mm
Maximum external conductor diameter	9 mm
AWG solid min.	26
AWG solid max.	22

DIN rail adapter - CUC-PP-D1PGY/R4IDC8 - 1419024

Technical data

Mechanical characteristics

Weight	59.5 g
--------	--------

Ambient conditions

Ambient temperature (operation)	-25 °C ... 70 °C
Ambient temperature (storage/transport)	-40 °C ... 70 °C
Degree of protection	IP20

Material data

Contact surface material	Gold over nickel
Contact material	CuSn
Contact carrier material	Die-cast zinc alloy
Housing material	PC-GF
Width	26.8 mm
Height	71 mm
Length	81.4 mm
Mounting type	DIN rail mounting

Electrical characteristics

Number of positions	8
Nominal voltage U_N	72 V (DC)
Nominal current I_N	1.5 A
GRP transmission properties	CAT6 _A
Transmission speed	10 Gbps
Frequency range	500 MHz
Rated voltage (III/3)	72 V (DC)
Insulation resistance	> 500 MΩ (100 V DC)

Standards and Regulations

Flammability rating according to UL 94	V0
--	----

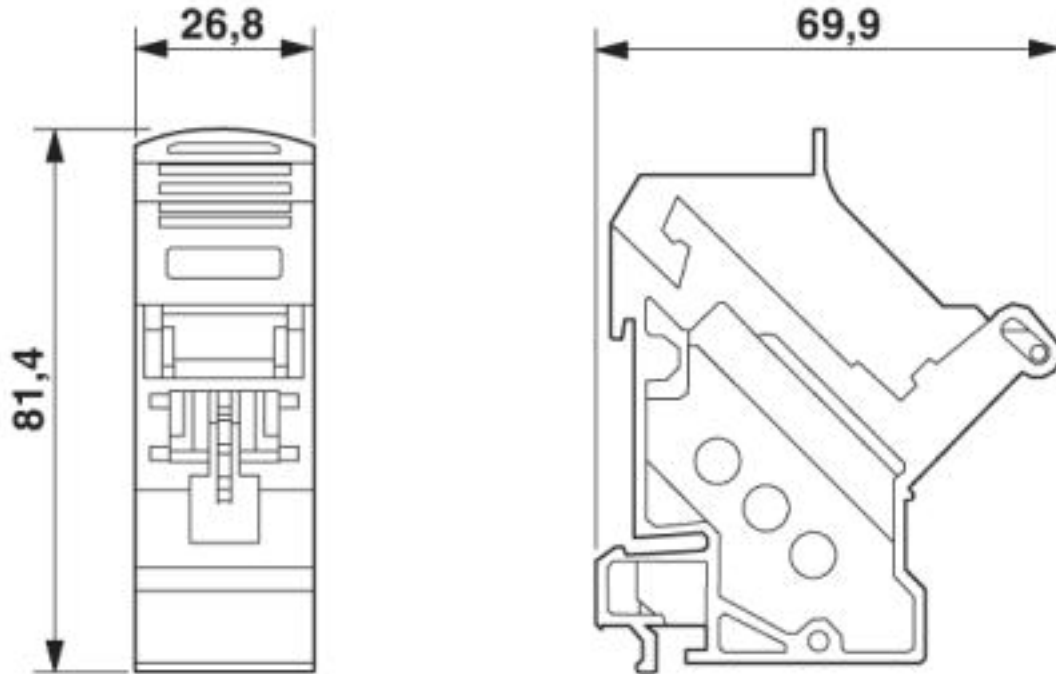
Environmental Product Compliance

China RoHS	Environmentally friendly use period: unlimited = EFUP-e
	No hazardous substances above threshold values

Drawings

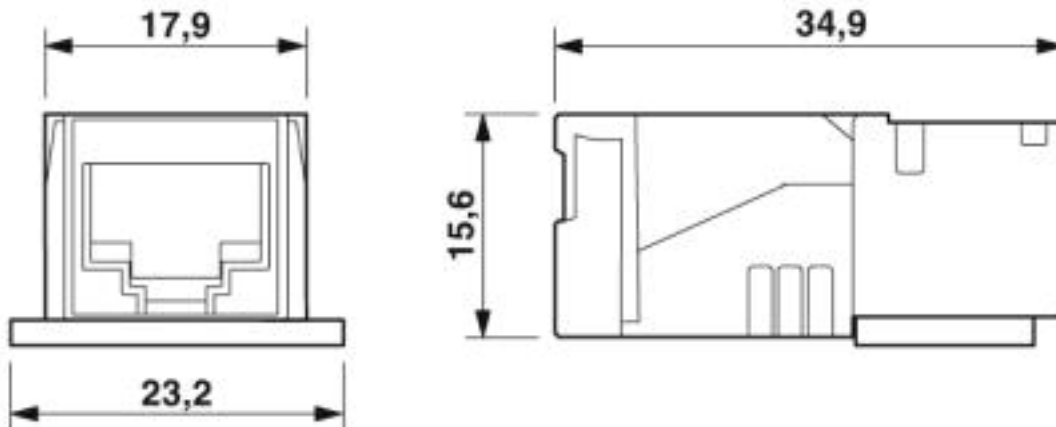
DIN rail adapter - CUC-PP-D1PGY/R4IDC8 - 1419024

Dimensional drawing



RJ45 patch panel

Dimensional drawing



RJ45 socket insert, Freenet system

Classifications

eCl@ss

eCl@ss 4.0	27260700
eCl@ss 4.1	27260700
eCl@ss 5.0	19030100

DIN rail adapter - CUC-PP-D1PGY/R4IDC8 - 1419024

Classifications

eCl@ss

eCl@ss 5.1	19030100
eCl@ss 6.0	19170100
eCl@ss 7.0	19170112
eCl@ss 8.0	19170112
eCl@ss 9.0	27060308

ETIM

ETIM 3.0	EC001128
ETIM 4.0	EC001128
ETIM 5.0	EC002599
ETIM 6.0	EC001262
ETIM 7.0	EC001262

UNSPSC

UNSPSC 6.01	31261501
UNSPSC 7.0901	31261501
UNSPSC 11	31261501
UNSPSC 12.01	31261501
UNSPSC 13.2	26121604
UNSPSC 18.0	26121604
UNSPSC 19.0	26121604
UNSPSC 20.0	26121604
UNSPSC 21.0	26121604

Accessories

Accessories

Data cable by the meter

Network cable - VS-OE-OE-93B-100,0 - 1416389



Network cable, PROFINET CAT5 (100 Mbps), 4-position, PVC, green RAL 6018, shielded, free cable end, on free cable end, cable length: 100 m

Network cable - VS-OE-OE-94B-100,0 - 1416567



Network cable, Ethernet CAT5 (1 Gbps), 8-position, PUR halogen-free, water blue RAL 5021, shielded, free cable end, on free cable end, cable length: 100 m

DIN rail adapter - CUC-PP-D1PGY/R4IDC8 - 1419024

Accessories

Network cable - VS-OE-OE-94F/... - 1417359



Network cable, Ethernet CAT6_A (10 Gbps), 8-position, PUR halogen-free, water blue RAL 5021, shielded, free cable end, on free cable end, cable length: Free entry (0.5 ... 400 m)

DIN rail

DIN rail perforated - NS 35/ 7,5 PERF 1155MM - 1207666



DIN rail perforated, Standard profile, width: 35 mm, height: 7.5 mm, acc. to EN 60715, material: Steel, galvanized, passivated with a thick layer, length: 1155 mm, color: silver

Electronics pliers

Diagonal cutter - MICROFOX-SP-1 - 1212487



Electronic diagonal cutter, tapered head, without chamfer, with opening spring, non-reflective phosphate-treated surface, punched version

Mounting rail adapter

DIN rail adapter - FL DIN RA - 2891053



The FL DIN RA is installed in a standard, 19-inch rack (EIA-310-D, IEC 60297-3-100) to allow DIN rail mounted equipment to be rack mounted.

Patch panel

DIN rail adapter - NBC-PP-J1PGY-S/R4IDC8 - 1100077



DIN rail adapter, degree of protection: IP20, number of positions: 8, 10 Gbps, CAT6_A, material: PC-GF10, connection method: IDC connection, connection cross section: AWG 26- 22, Item set, DIN rail adapter including RJ45 cable connection module

DIN rail adapter - CUC-PP-D1PGY/R4IDC8 - 1419024

Accessories

DIN rail adapter - NBC-PP-G1PGY - 1041740



DIN rail adapter, type: Headers with shielding, degree of protection: IP20, material: PC-GF10, without assembled modules

Safety locking

Plug Guard Security Frame - FL PLUG GUARD GN - 2891615



Security frame for SFN switch and patch fields, green

Plug Guard Security Frame - FL PLUG GUARD RD - 2891712



Security frame for SFN switch and patch fields, red

Plug Guard Security Frame - FL PLUG GUARD WH - 2891819



Security frame for SFN switch and patch fields, white

Locking element - FL PORT GUARD - 2891220



Locking element and key for security frame

DIN rail adapter - CUC-PP-D1PGY/R4IDC8 - 1419024

Accessories

Key - FL PLUG GUARD KEY - 2891327



Key for security frame, SFN switch and patch fields

Stripping tool - VS-CABLE-STRIP-VARIO - 1657407



Stripping tool, for the multi-level stripping of shielded cables

Additional products

RJ45 socket insert - CUC-F-J1ZNI-S/R4IDC8 - 1418984



RJ45 socket insert, type: RJ45, degree of protection: IP20, number of positions: 8, 10 Gbps, CAT6_A, material: Zinc die-cast, connection method: IDC connection, connection cross section: AWG 26- 22, Freenet design for use with IP67 panel mounting frame and terminal outlets

RJ45 coupling - CUC-F-D1ZNI-S/R4GC8 - 1419022



RJ45 coupling, type: RJ45, degree of protection: IP20, number of positions: 8, 1 Gbps, CAT6, material: Zinc die-cast, connection method: Female
