

Splice box - FOC-SB-FR19:1U-LCD12-OM4 BK - 1418817

Please be informed that the data shown in this PDF Document is generated from our Online Catalog. Please find the complete data in the user's documentation. Our General Terms of Use for Downloads are valid (<http://phoenixcontact.com/download>)

19" splice box, black, 1 RU, fully pre-assembled ready to splice, for 12x LC duplex OM4



19" splice box, black, 12 x LC duplex OM4

Product Description

19" FDX 20 series splice boxes, 1 RU, with removable drawer, for 12x LC duplex OM4, black, completely ready to splice (correctly pre-mounted: 12 ceramic couplings, 12 filler plugs, 24 pigtailed, 2 cassettes, 4 combs, 1 cassette cover, and 24x shrink splice protectors). 4 cable entries (rear) incl. 2 M20 cable glands, measurement protocol and 19" mounting set.

Your advantages

- removable drawer with quick release
- easy to remove drawer
- high-quality individual components
- 100 % control including measurement protocol
- fully prepared ready to splice
- 4 cable entries including 2 cable glands
- subsequent extension to 24 x LC duplex possible
- including 19" mounting set
- including shrink splice protection
- easy to install



Key Commercial Data

Packing unit	1 pc
GTIN	
GTIN	4055626167862

Technical data

Mechanical characteristics

Connection method	Splicing
Number of slots	24

Splice box - FOC-SB-FR19:1U-LCD12-OM4 BK - 1418817

Technical data

Mechanical characteristics

No. of cable outlets	2
Locking type	Push Pull
Weight	4070.7 g

Ambient conditions

Ambient temperature (operation)	-10 °C ... 60 °C
Degree of protection	IP20

Material data

Housing material	Sheet steel
Housing surface material	Powder-coated, black
Width	483 mm
Height	43.8 mm
Depth	329 mm
Mounting type	Screw mounting

Standards and Regulations

Flammability rating according to UL 94	V0
--	----

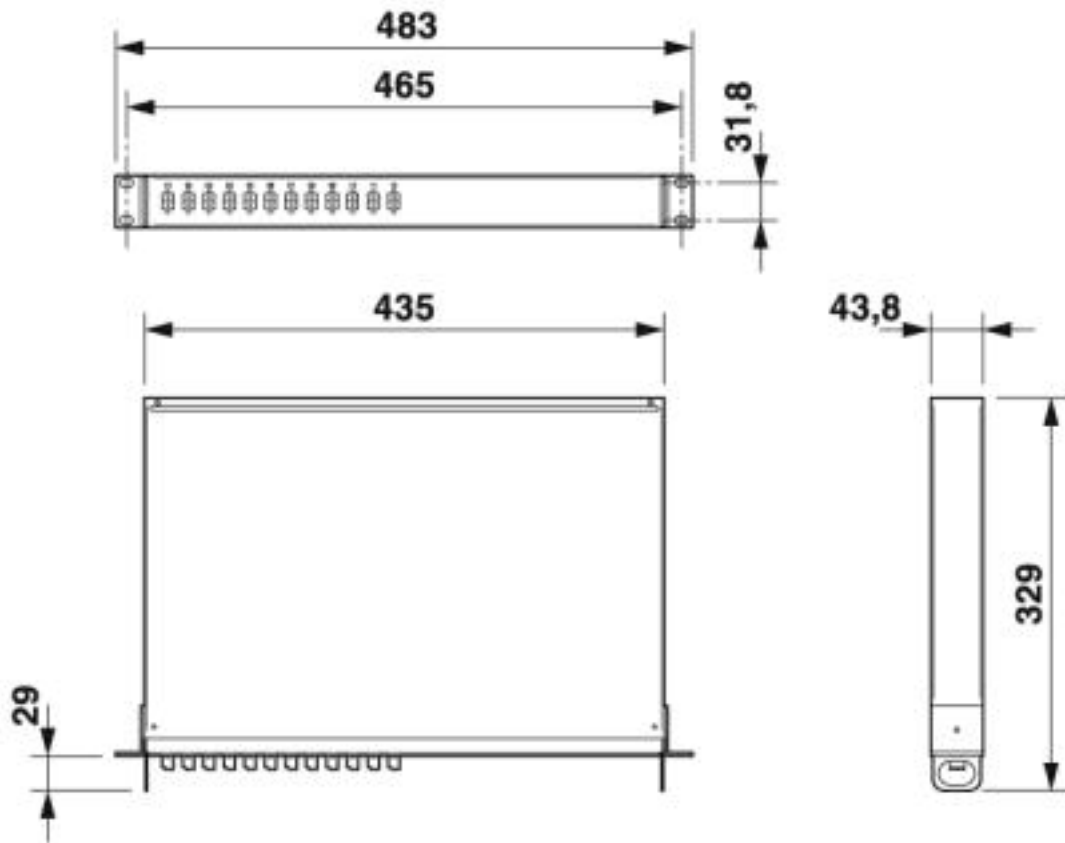
Environmental Product Compliance

China RoHS	Environmentally friendly use period: unlimited = EFUP-e
	No hazardous substances above threshold values

Drawings

Splice box - FOC-SB-FR19:1U-LCD12-OM4 BK - 1418817

Dimensional drawing



Classifications

eCl@ss

eCl@ss 10.0.1	19170113
eCl@ss 4.0	27140800
eCl@ss 4.1	27140800
eCl@ss 5.0	27143400
eCl@ss 5.1	27143400
eCl@ss 6.0	27261200
eCl@ss 7.0	27440210
eCl@ss 8.0	27440210
eCl@ss 9.0	27440210

ETIM

ETIM 4.0	EC002310
ETIM 5.0	EC002310
ETIM 6.0	EC002310
ETIM 7.0	EC002310

Splice box - FOC-SB-FR19:1U-LCD12-OM4 BK - 1418817

Classifications

UNSPSC

UNSPSC 6.01	31261501
UNSPSC 7.0901	31261501
UNSPSC 11	31261501
UNSPSC 12.01	31261501
UNSPSC 13.2	39121421
UNSPSC 18.0	39121421
UNSPSC 19.0	39121421
UNSPSC 20.0	39121421
UNSPSC 21.0	39121421

Approvals

Approvals

Approvals

EAC

Ex Approvals

Approval details

EAC		B.01687
-----	--	---------

Accessories

Accessories

Data cable preassembled

FO patch cable - FOC-LC:A-LC:A-GZ03/... - 1405690



Assembled FO cable, zip cord cable, multi-mode fiberglass 50/125 µm, OM4, plug: LC/LC, degree of protection: IP20, for installation in cable ducts or control cabinets

Splice box - FOC-SB-FR19:1U-LCD12-OM4 BK - 1418817

Accessories

FO patch cable - FOC-SC:A-LC:A-GZ03/... - 1405693



Assembled FO cable, zip cord cable, multi-mode fiberglass 50/125 µm, OM4, plug: SC/LC, degree of protection: IP20, for installation in cable ducts or control cabinets

FO patch cable - FOC-LC:A-SJ:A-GZ03/... - 1405696



Assembled FO cable, zip cord cable, multi-mode fiberglass 50/125 µm, OM4, plug: LC/SC-RJ, degree of protection: IP20, for installation in cable ducts or control cabinets

FO accessories - FOC-TOOL-FERRULECLEANER-1.25 - 1407032



Ferrule cleaner, 1.25 mm, for LC, approx. 500 cleaning cycles

FO accessories - FOC-TOOL-STICKCLEANER-1.25 - 1407000



Stick cleaner for couplings and plug end faces, 1.25 mm (LC), Pcs. / Pkt.: 10

Marshalling panel - CUC-PP-PATCHBAY-MH BK - 1409284

Marshalling distributor panel, 19", 1 HU, with 5 metal brackets, color similar to RAL 9005



Phoenix Contact 2020 © - all rights reserved
<http://www.phoenixcontact.com>

PHOENIX CONTACT GmbH & Co. KG
Flachmarktstr. 8
32825 Blomberg
Germany
Tel. +49 5235 300
Fax +49 5235 3 41200
<http://www.phoenixcontact.com>