

# Network cable - NBC-FSBP/1,0-94B/R4AC - 1418004


Please be informed that the data shown in this PDF Document is generated from our Online Catalog. Please find the complete data in the user's documentation. Our General Terms of Use for Downloads are valid (<http://phoenixcontact.com/download>)



Network cable, number of positions: 8, 1 Gbps, CAT5, cable outlet: straight



## Key Commercial Data

Packing unit	1 pc
Minimum order quantity	25 pc
GTIN	 4 055626 130613
GTIN	4055626130613

## Technical data

### General data

Number of positions	8
Degree of pollution	3
Alternative short product description	Ethernet cable
Rated voltage (III/3)	72 V (DC)

### Characteristics head 1

Shielded	yes
Outer sheath, material	PUR
External sheath, color	water blue RAL 5021

### Standards and Regulations

Flammability rating according to UL 94	V2
--	----

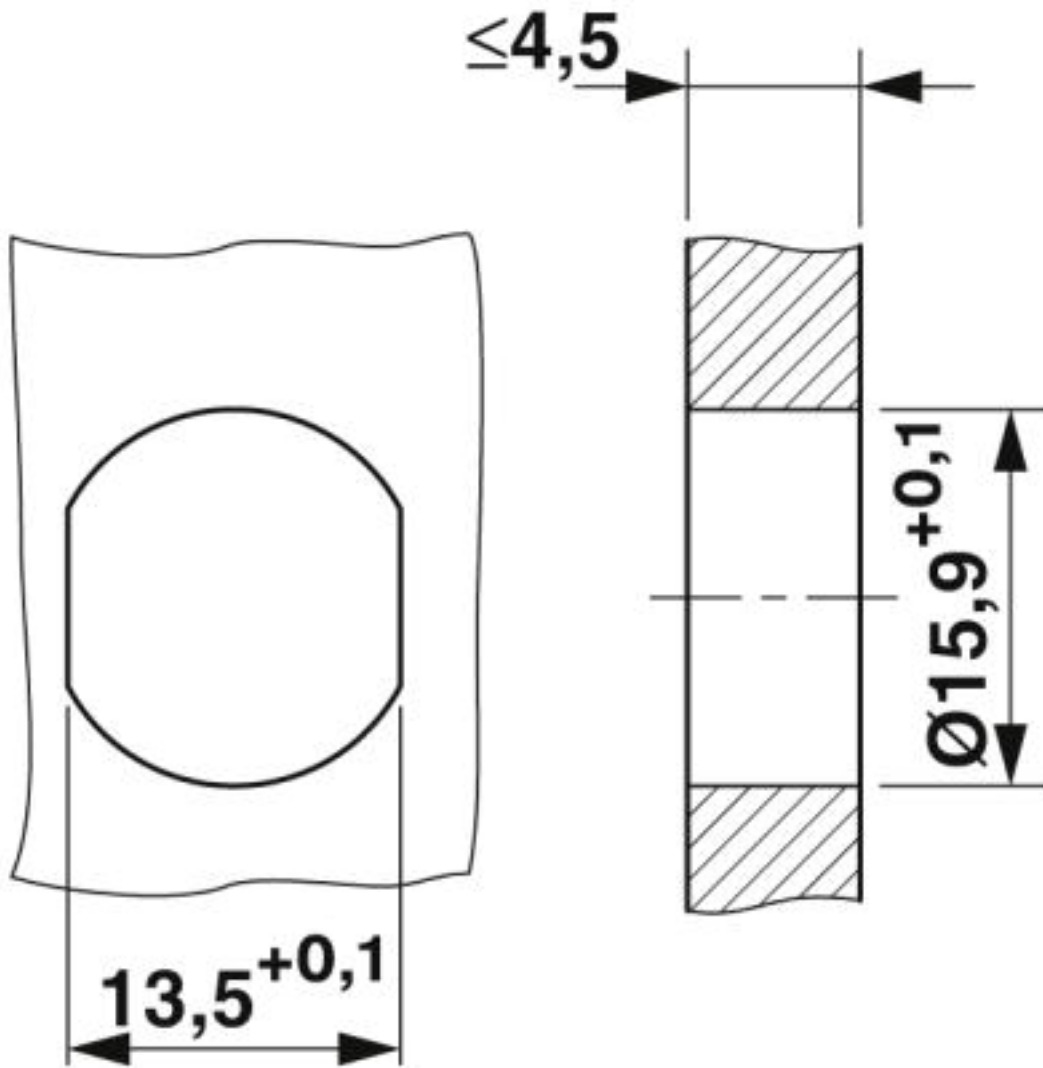
### Environmental Product Compliance

REACH SVHC	Lead 7439-92-1
China RoHS	Environmentally Friendly Use Period = 50 years
	For details about hazardous substances go to tab "Downloads", Category "Manufacturer's declaration"

# Network cable - NBC-FSBP/1,0-94B/R4AC - 1418004

## Drawings

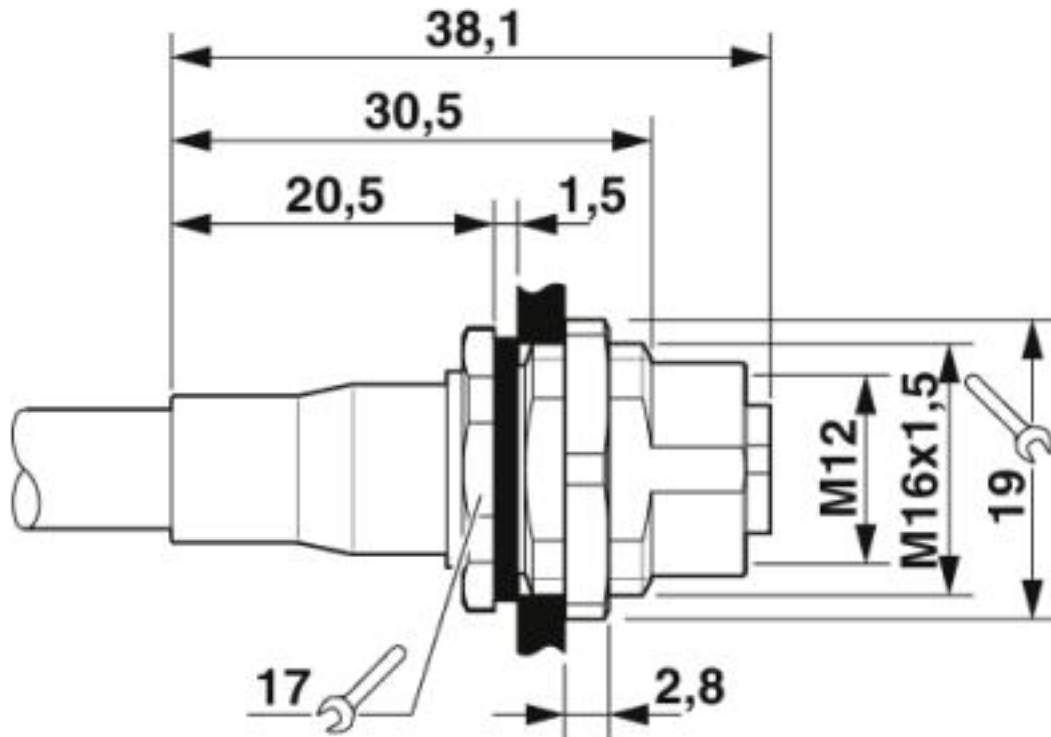
Dimensional drawing



Housing cutout for M16 fastening thread, mounting panel with feed-through hole (alternatively with surface as protection against rotation)

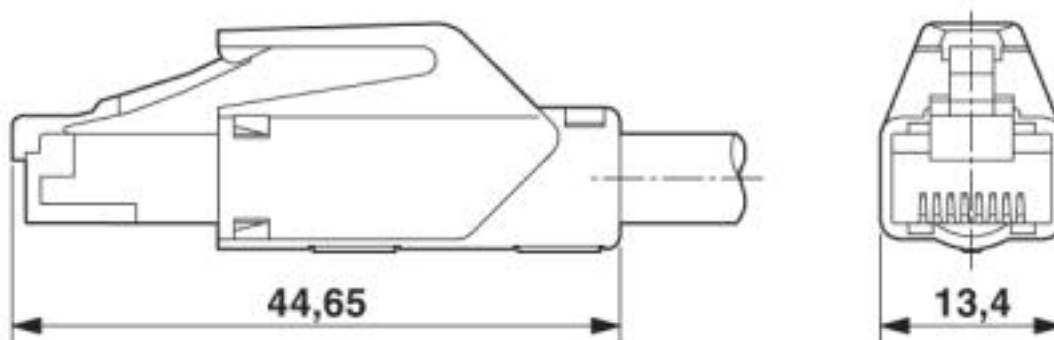
# Network cable - NBC-FSBP/1,0-94B/R4AC - 1418004

Dimensional drawing



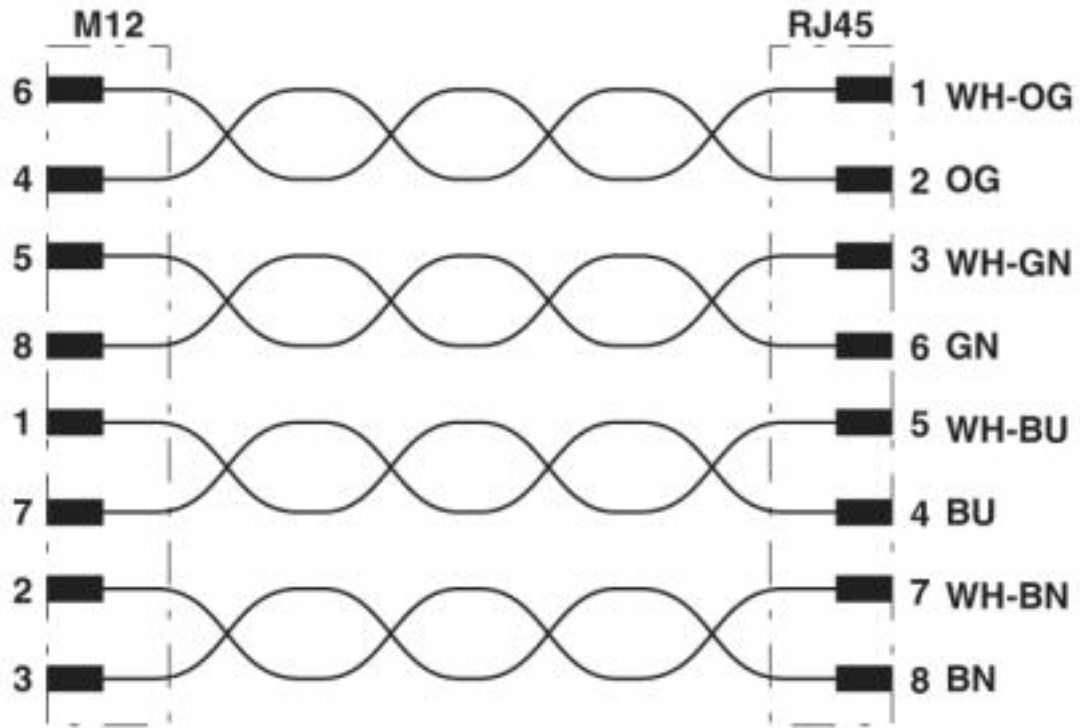
M12 flush-type connector

Dimensional drawing



# Network cable - NBC-FSBP/1,0-94B/R4AC - 1418004

Circuit diagram



# Network cable - NBC-FSBP/1,0-94B/R4AC - 1418004

Cable cross section



Ethernet flexible CAT5, 4-pair [94B]

## Classifications

eCl@ss

eCl@ss 10.0.1	27060308
eCl@ss 7.0	27060308
eCl@ss 8.0	27060308
eCl@ss 9.0	27060308

ETIM

ETIM 5.0	EC002599
ETIM 6.0	EC001262
ETIM 7.0	EC001262

# Network cable - NBC-FSBP/1,0-94B/R4AC - 1418004

## Classifications

### UNSPSC

UNSPSC 13.2	26121604
UNSPSC 18.0	26121604
UNSPSC 19.0	26121604
UNSPSC 20.0	26121604
UNSPSC 21.0	26121604

## Approvals

### Approvals

---

#### Approvals


EAC

---

#### Ex Approvals

---

### Approval details

EAC		19060508
-----	---	----------

---

Phoenix Contact 2020 © - all rights reserved  
<http://www.phoenixcontact.com>

PHOENIX CONTACT GmbH & Co. KG  
Flachsmarktstr. 8  
32825 Blomberg  
Germany  
Tel. +49 5235 300  
Fax +49 5235 3 41200  
<http://www.phoenixcontact.com>