

## Power cable - SAC-2P- 1,0-547/MINFR - 1416455

Please be informed that the data shown in this PDF Document is generated from our Online Catalog. Please find the complete data in the user's documentation. Our General Terms of Use for Downloads are valid (<http://phoenixcontact.com/download>)




Power cable, 2-position, PVC, yellow, free cable end, coding: A, on Socket angled 7/8"-16UNF, cable length: 1 m

### Your advantages

- ✓ Easy and safe: 100% electrically tested plug-in components
- ✓ High-performance: connectors and cables with a large conductor cross section for power supply

### Key Commercial Data

Packing unit	1 pc
GTIN	 4 055626 220130
GTIN	4055626220130

### Technical data

#### Dimensions

Length of cable	1 m
-----------------	-----

#### Ambient conditions

Ambient temperature (operation)	-20 °C ... 105 °C (Plug / socket)
Degree of protection	IP68

#### General

Rated current at 40°C	13 A
Rated voltage	300 V AC 300 V DC
Number of positions	2
Color handle area	yellow
Insulation resistance	≥ 100 MΩ
Coding	A - standard
Status display	No

# Power cable - SAC-2P- 1,0-547/MINFR - 1416455

## Technical data

### General

Protective circuit/component	unwired
Insertion/withdrawal cycles	100
Torque	10 lb <sub>F</sub> -in.
	1.12 Nm

### Material

Contact material	CuZn
Contact surface material	AU
Contact carrier material	PVC
Material of grip body	PVC
Material, knurls	Anodized aluminum

### Cable

Cable type	ITC/PLTC
Cable abbreviation	547
AWG signal line	18
Conductor cross section signal conductor	2 x AWG 18
Conductor cross section voltage supply	41 x AWG 34
Wire colors	Black 1, blue 2, grey 3, brown 4, white 5
External sheath, color	yellow
External cable diameter	5.33 mm
Outer sheath, material	PVC
Conductor material	Bare Cu litz wires
Nominal voltage, cable	300 V
Flame resistance	UL 1581, FT4
Other resistance	UV resistant (720 h) UL 2556
Ambient temperature (operation)	-40 °C ... 105 °C (cable, fixed installation)
	-30 °C ... 105 °C (cable, flexible installation)

### Standards and Regulations

Flame resistance	UL 1581, FT4
Other resistance	UV resistant (720 h) UL 2556

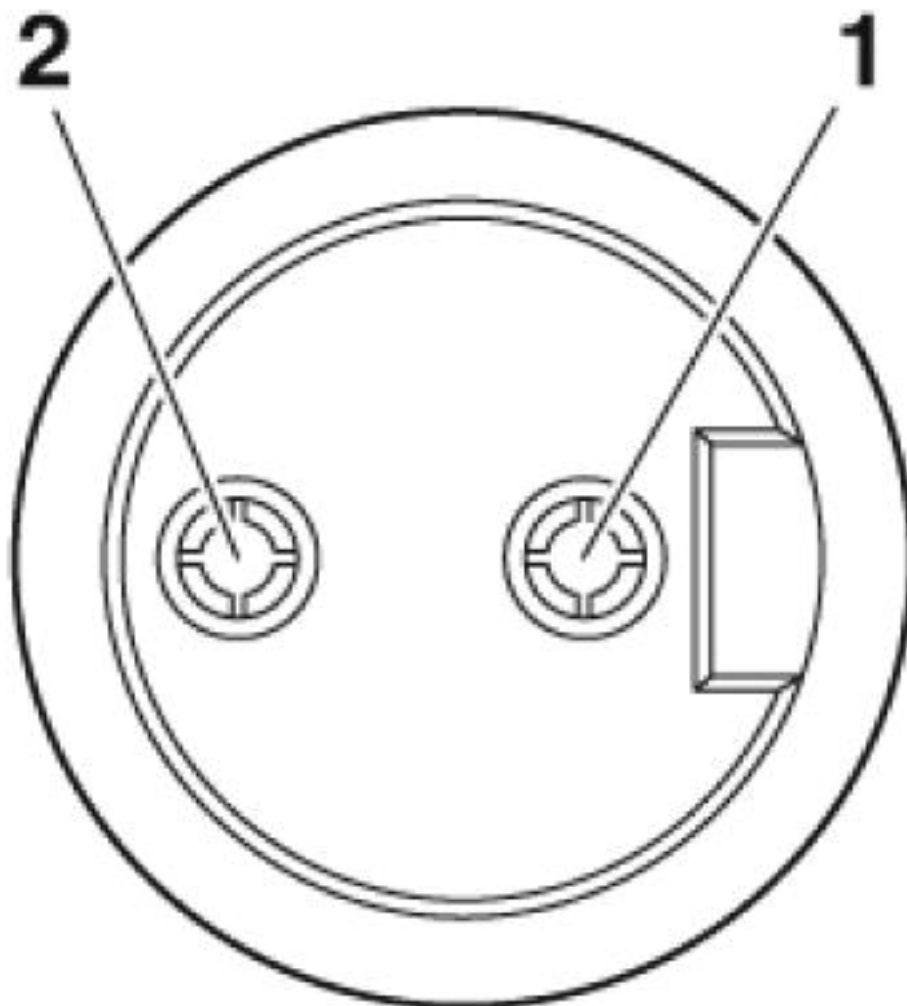
### Environmental Product Compliance

China RoHS	Environmentally Friendly Use Period = 50 years
	For details about hazardous substances go to tab "Downloads", Category "Manufacturer's declaration"

### Drawings

# Power cable - SAC-2P- 1,0-547/MINFR - 1416455

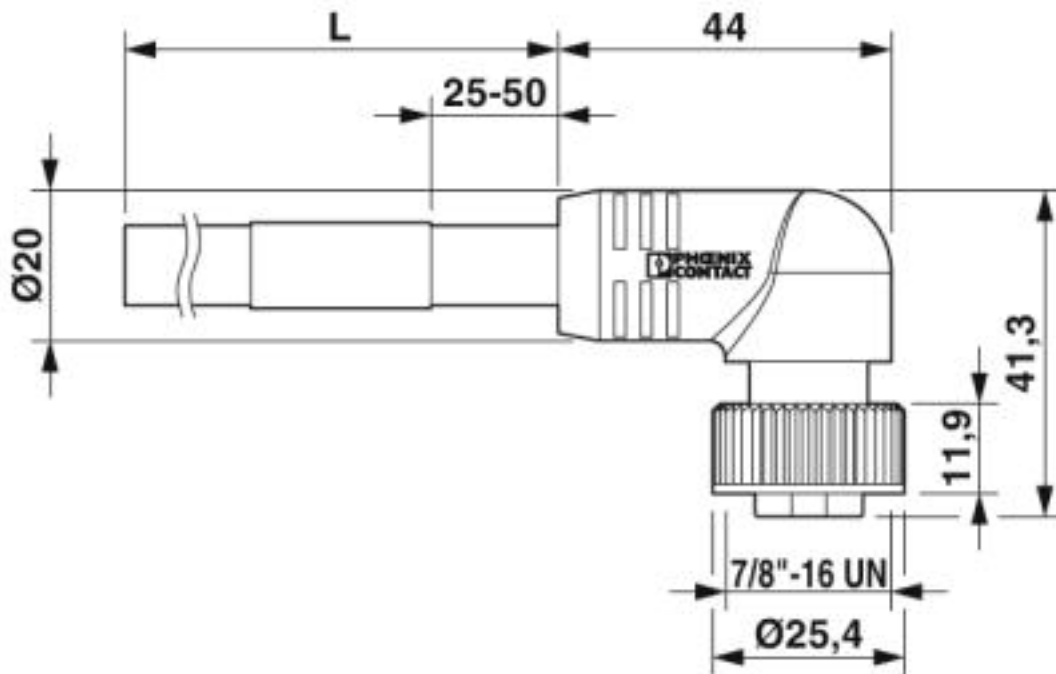
Schematic diagram



Pin assignment, socket, 7/8"-16UNF, 2-pos., view of female side

# Power cable - SAC-2P- 1,0-547/MINFR - 1416455

Dimensional drawing



7/8"-16UNF socket, angled

Circuit diagram



Contact assignment of 7/8" socket

## Classifications

eCl@ss

eCl@ss 10.0.1	27060311
eCl@ss 5.1	27061801
eCl@ss 6.0	27279200
eCl@ss 7.0	27279218
eCl@ss 9.0	27060311

ETIM

ETIM 5.0	EC001855
----------	----------

# Power cable - SAC-2P- 1,0-547/MINFR - 1416455

## Classifications

### ETIM

ETIM 6.0	EC001855
ETIM 7.0	EC001855

## Accessories

### Accessories

#### Conductor marking

Insert label - PABA WH/23 - 1013779



Insert label, Strip, white, unlabeled, can be labeled with: CMS-P1-PLOTTER, mounting type: thread on, cable diameter range: 1.5 ... 35 mm, lettering field size: 23 x 4 mm, Number of individual labels: 20

Insert label - PABA YE/23 - 1013782



Insert label, Strip, yellow, unlabeled, can be labeled with: CMS-P1-PLOTTER, mounting type: thread on, cable diameter range: 1.5 ... 35 mm, lettering field size: 23 x 4 mm, Number of individual labels: 20

#### Marker pen

Marker pen - B-STIFT - 1051993



Marker pen, for manual labeling of unprinted Zack strips, smear-proof and waterproof, line thickness 0.5 mm

#### Plug for cable screw gland

Screw plug - PROT-MINMS-PA-CHAIN - 1430925

7/8" sealing cap made of plastic with fixing band, for sensor cables, for 7/8" sockets



#### Protective cap

## Power cable - SAC-2P- 1,0-547/MINFR - 1416455

### Accessories

Sealing cap - PROT-MINFS-PA-CHAIN - 1430912

7/8" sealing cap made of plastic with fixing band, for sensor cables, for 7/8" connectors



---

### Screwdriver tools

Adapter insert - TSD-M SAC-BIT ADAPTER - 1212600



Adapter bit for TSD-M...torque tools, E6.3-1/4" drive with 4 mm hexagon to accommodate SAC bits

---

Tool - SAC BIT MIN-D25 - 1212512



Nut for assembling 7/8" connectors with a knurl diameter of 25 mm, with 4 mm hexagonal drive

---

### Torque tool

Torque screwdriver - TSD 08 SAC - 1212597



Torque screw driver with preset torque of 0.8 Nm, with 4 mm hexagon for accommodating SAC bits, two-component handle with non-slip grip

---

Torque screwdriver - TSD-M 1,2NM - 1212224



Torque screw driver, accuracy as per EN ISO 6789 standard, adjustable from 0.3 - 1.2 Nm

Phoenix Contact 2020 © - all rights reserved  
<http://www.phoenixcontact.com>

PHOENIX CONTACT GmbH & Co. KG  
Flachsmarktstr. 8  
32825 Blomberg  
Germany  
Tel. +49 5235 300  
Fax +49 5235 3 41200  
<http://www.phoenixcontact.com>