

## Cable gland - G-INB-M12-S68N-PEPDS-BK - 1415177

Please be informed that the data shown in this PDF Document is generated from our Online Catalog. Please find the complete data in the user's documentation. Our General Terms of Use for Downloads are valid (<http://phoenixcontact.com/download>)




Cable gland, cable gland material: PA, external cable diameter 3 mm ... 7 mm, shielding: no, connecting thread: M12 x 1.5, color: jet black RAL 9005, with bend protection sleeve

### Your advantages

- Glow-wire test: 750°C
- Weatherproof sealing material
- Halogen-free



### Key Commercial Data

Packing unit	10 pc
Minimum order quantity	10 pc
GTIN	 4 055626 038087
GTIN	4055626038087

### Technical data

#### Dimensions

Length	72 mm
Wrench size, union nut	16 mm
Wrench size, support	16 mm
Hexagon angular dimension	18 mm
Length of the connecting thread	9 mm
Feed-through hole diameter	12.1 mm ... 12.2 mm
External cable diameter	3 mm ... 7 mm
	4.1 mm ... 6 mm (for UL 514 B)

#### Ambient conditions

Degree of protection (IP)	IP68 (5 bar / 0.5 h)
	IP69 (DIN EN 60529 / IEC 60529)
Ambient temperature (operation)	-40 °C ... 100 °C (static)

# Cable gland - G-INB-M12-S68N-PEPDS-BK - 1415177

## Technical data

### General

Type	with bend protection sleeve
No. of conductors	1
Cable gland material	PA
Sealing material	EPDM (Cable seal, halogen-free)
Glow wire ignition temperature GWIT according to EN 60695-2-13	750.00
Shielded	no
Thread type on connection side	M12 x 1.5
Torque	2 Nm (Union nut: EN 62444)
	2 Nm (Support: EN 62444)
Color	jet black RAL 9005
Impact category	2
Execution of the strain relief	A
Manufacturer	WISKA
Manufacturer Designation	ESKVS 12

### Standards and Regulations

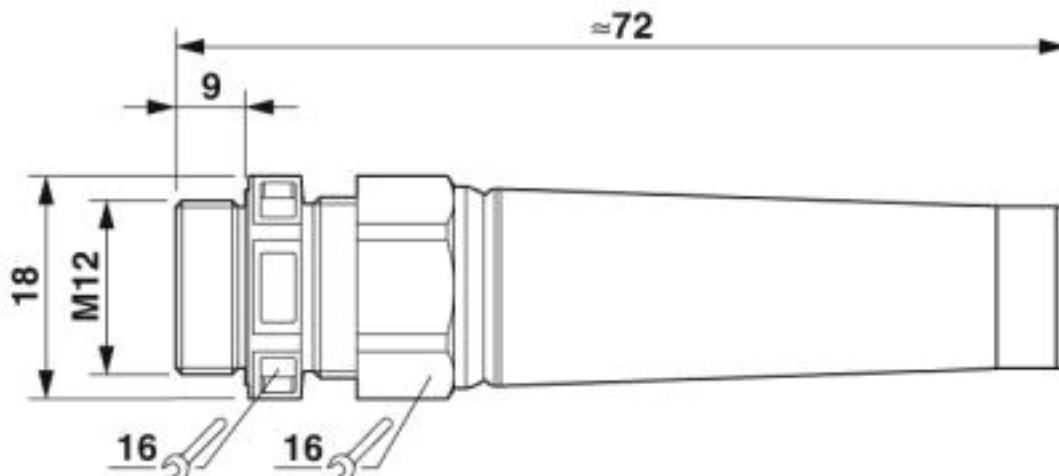
Halogen-free	yes
--------------	-----

### Environmental Product Compliance

China RoHS	Environmentally friendly use period: unlimited = EFUP-e
	No hazardous substances above threshold values

## Drawings

Dimensional drawing



# Cable gland - G-INB-M12-S68N-PEPDS-BK - 1415177

## Classifications

### eCl@ss

eCl@ss 10.0.1	27144432
eCl@ss 4.0	27141200
eCl@ss 4.1	27141200
eCl@ss 5.0	27149100
eCl@ss 5.1	27149100
eCl@ss 6.0	27149100
eCl@ss 7.0	27149109
eCl@ss 8.0	27149109
eCl@ss 9.0	27144432

### ETIM

ETIM 5.0	EC000441
ETIM 6.0	EC000441
ETIM 7.0	EC000441

### UNSPSC

UNSPSC 13.2	39121311
UNSPSC 18.0	39121311
UNSPSC 19.0	39121311
UNSPSC 20.0	39121311
UNSPSC 21.0	39121311

## Approvals

### Approvals

#### Approvals

UL Recognized / cUL Recognized / GOST-R / cULus Recognized

#### Ex Approvals

### Approval details

UL Recognized		<a href="http://database.ul.com/cgi-bin/XYV/template/LISEXT/1FRAME/index.htm">http://database.ul.com/cgi-bin/XYV/template/LISEXT/1FRAME/index.htm</a>	E179850
---------------	---	---	---------

cUL Recognized		<a href="http://database.ul.com/cgi-bin/XYV/template/LISEXT/1FRAME/index.htm">http://database.ul.com/cgi-bin/XYV/template/LISEXT/1FRAME/index.htm</a>	E179850
----------------	---	---	---------

## Cable gland - G-INB-M12-S68N-PEPDS-BK - 1415177

### Approvals

GOST-R		POCC DE.A*98.H12052
--------	---	------------------------

cULus Recognized	
------------------	---

### Accessories

#### Accessories

#### Flat nut

Counter nut - A-INL-M12-P-BK - 1411213



Counter nut, material: PA, for threads M12 x 1.5, color: jet black RAL 9005

---

Phoenix Contact 2020 © - all rights reserved  
<http://www.phoenixcontact.com>

PHOENIX CONTACT GmbH & Co. KG  
Flachsmarktstr. 8  
32825 Blomberg  
Germany  
Tel. +49 5235 300  
Fax +49 5235 3 41200  
<http://www.phoenixcontact.com>