

## Connector set - HC-EVO-B10PT-BWD-HL-M25-PLRBK - 1407711

Please be informed that the data shown in this PDF Document is generated from our Online Catalog. Please find the complete data in the user's documentation. Our General Terms of Use for Downloads are valid (<http://phoenixcontact.com/download>)



EVO connector set consisting of: 1407729, 1407730, 1407634, 1407628, 1407670

### Your advantages

- Lower costs than metal version
- Labeling option using 9 x 20 mm marking label
- Low weight
- Lower risk of condensation
- Both contact insert PE sheets are connected by means of a metal frame integrated in the sleeve housing
- Metal inlays ensure leading PE contact with angled plugs
- Completely corrosion-resistant
- Halogen-free plastic
- Marking label can be attached



### Key Commercial Data

|              |               |
|--------------|---------------|
| Packing unit | 1 pc          |
| GTIN         |               |
| GTIN         | 4046356777766 |

### Technical data

#### General

|                                  |                    |
|----------------------------------|--------------------|
| Number of positions              | 10+PE              |
| Type                             | B10                |
| Connection method                | Push-in connection |
| Cable outlet                     | straight           |
|                                  | lateral            |
| Degree of protection for housing | IP66               |
|                                  | 12 (UL 50e)        |
| Connection method                | Push-in connection |

## Connector set - HC-EVO-B10PT-BWD-HL-M25-PLRBK - 1407711

### Technical data

#### General

|                                 |                                                             |
|---------------------------------|-------------------------------------------------------------|
| Rated voltage (III/3)           | 500 V                                                       |
| Rated surge voltage             | 6 kV                                                        |
| Rated current                   | 16 A                                                        |
| Conductor cross section         | 0.14 mm <sup>2</sup> ... 2.5 mm <sup>2</sup> (with ferrule) |
| Connection cross section AWG    | 26 ... 14 (with ferrule)                                    |
| External cable diameter         | 9 mm ... 17 mm                                              |
| Ambient temperature (operation) | -40 °C ... 100 °C                                           |
| Length of the assembly cutout   | 65 mm                                                       |
| Width of the assembly cutout    | 35 mm                                                       |
| Housing material                | PA                                                          |
| Contact carrier material        | PC                                                          |
| Locking latch material          | PA                                                          |
| Integrated protective cover     | no                                                          |

#### Standards and Regulations

|                                        |    |
|----------------------------------------|----|
| Flammability rating according to UL 94 | V0 |
|----------------------------------------|----|

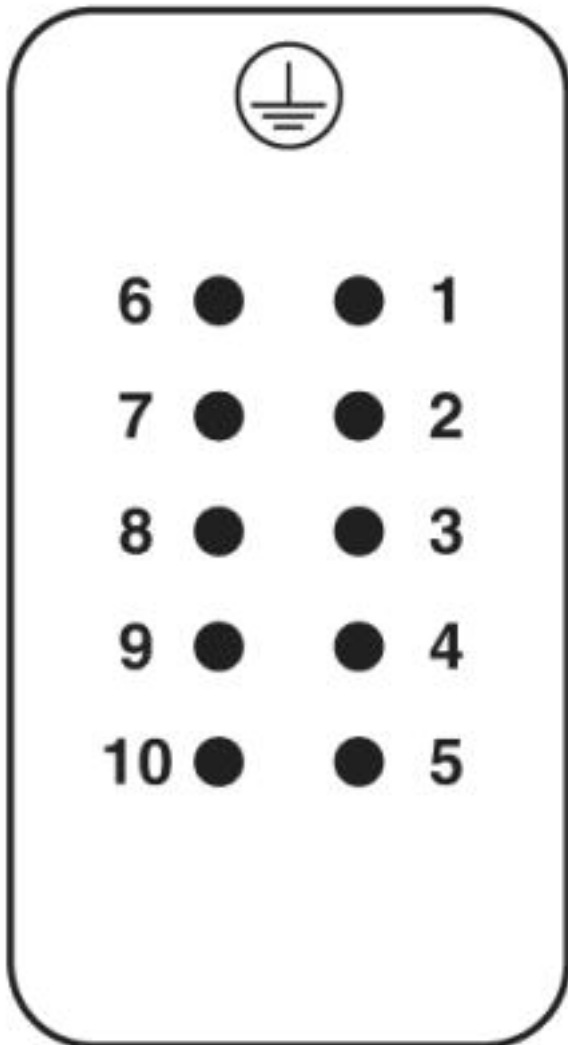
#### Environmental Product Compliance

|            |                                                         |
|------------|---------------------------------------------------------|
| China RoHS | Environmentally friendly use period: unlimited = EFUP-e |
|            | No hazardous substances above threshold values          |

### Drawings

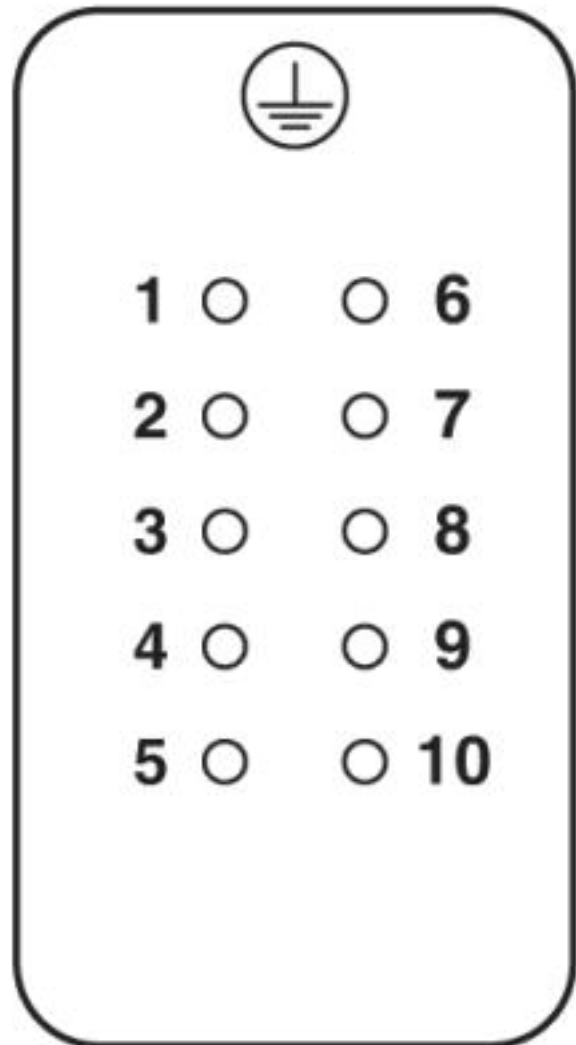
# Connector set - HC-EVO-B10PT-BWD-HL-M25-PLRBK - 1407711

Schematic diagram



Pin assignment, connection side, pin

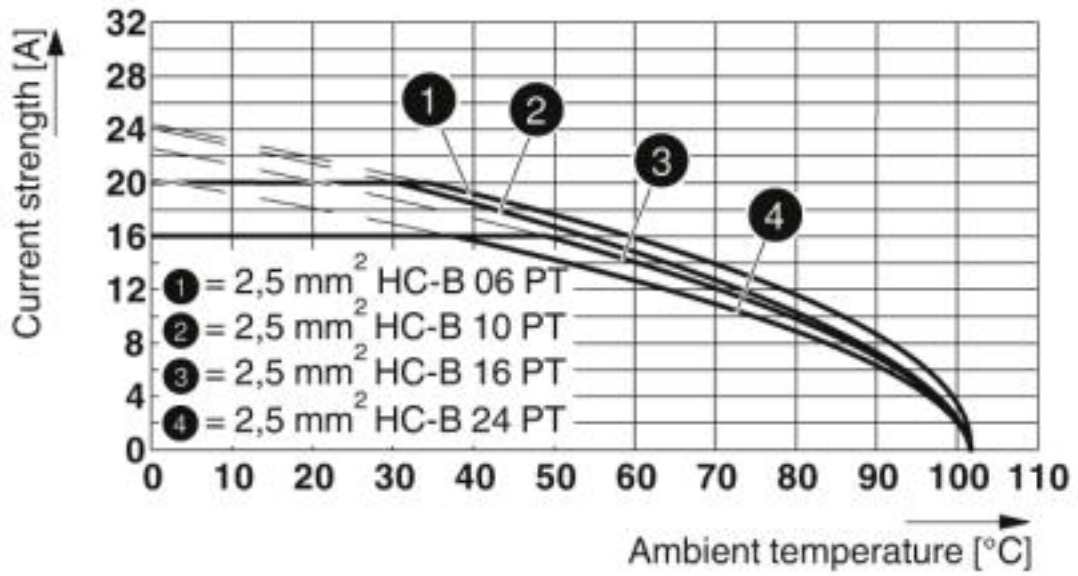
Schematic diagram



Pin assignment, connection side, socket

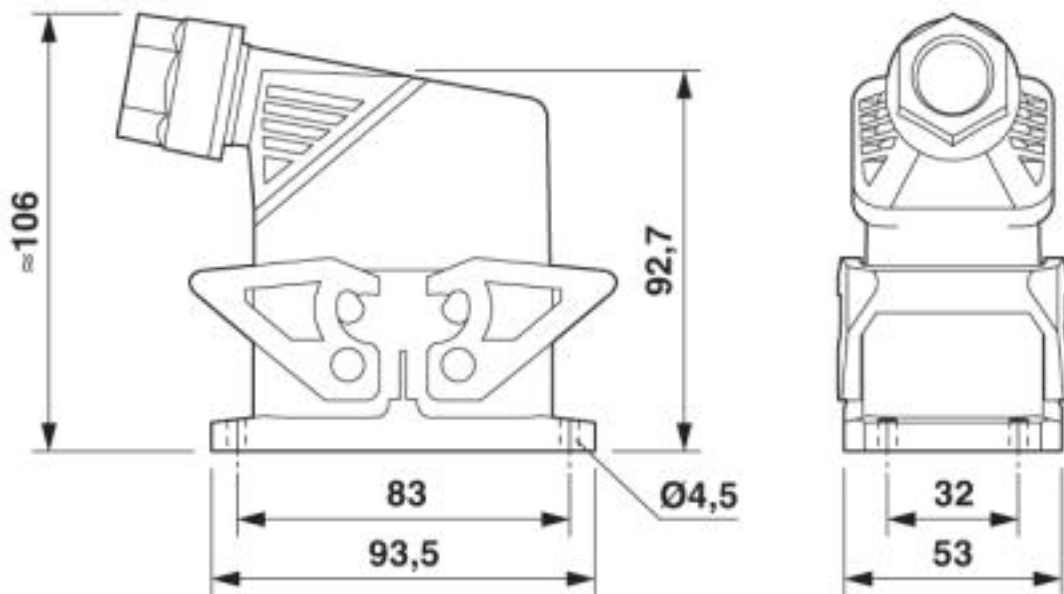
# Connector set - HC-EVO-B10PT-BWD-HL-M25-PLRBK - 1407711

Diagram



Derating diagram

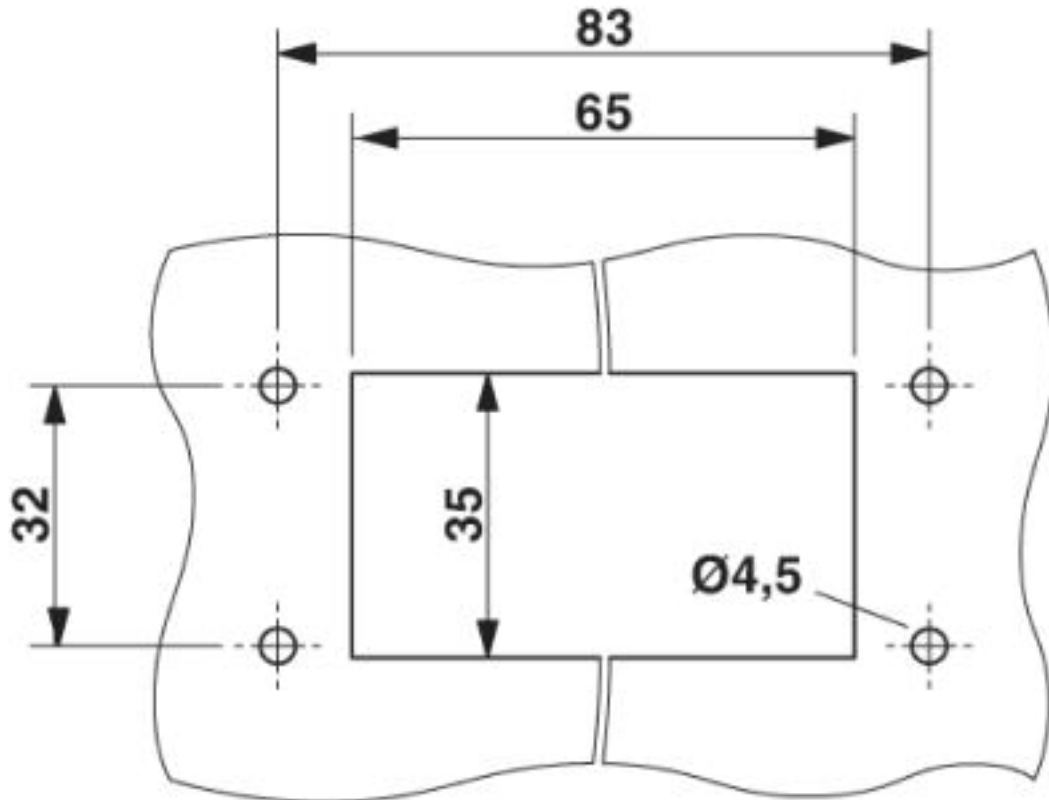
Dimensional drawing



Dimensional drawing

## Connector set - HC-EVO-B10PT-BWD-HL-M25-PLRBK - 1407711

Dimensional drawing



Mounting cutout

### Articles in set

Contact insert - HC-B10-I-PT-F - 1407729



HEAVYCON socket insert, B10 series, 10 + PE-pos., push-in connection

Contact insert - HC-B10-I-PT-M - 1407730



HEAVYCON pin insert, B10 series, 10 + PE-pos., push-in connection

## Connector set - HC-EVO-B10PT-BWD-HL-M25-PLRBK - 1407711

### Articles in set

Housing - HC-EVO-B10-BWD-PLRBK - 1407634



HEAVYCON EVO panel mounting base, plastic, B10, with double locking latch, height: 30.5 mm, with flat gasket

Housing - HC-EVO-B10-HLFD-PLBK - 1407628



HEAVYCON EVO sleeve housing, plastic, with bayonet flange for EVO screw connection, B10, for double locking latch, height: 60.5 mm, without EVO screw connection

Cable gland - HC-B-G-M25-PLRBK - 1407670



EVO plastic cable gland with bayonet locking, for housing series B, size M25, cable diameter: 9 ... 17 mm

### Classifications

#### eCl@ss

|               |          |
|---------------|----------|
| eCl@ss 10.0.1 | 27440101 |
| eCl@ss 4.0    | 27260700 |
| eCl@ss 4.1    | 27260700 |
| eCl@ss 5.0    | 27260700 |
| eCl@ss 5.1    | 27260700 |
| eCl@ss 6.0    | 27260700 |
| eCl@ss 7.0    | 27440101 |
| eCl@ss 8.0    | 27440101 |
| eCl@ss 9.0    | 27440101 |

#### ETIM

|          |          |
|----------|----------|
| ETIM 3.0 | EC000438 |
| ETIM 4.0 | EC000437 |
| ETIM 5.0 | EC000437 |
| ETIM 6.0 | EC002636 |
| ETIM 7.0 | EC002636 |

# Connector set - HC-EVO-B10PT-BWD-HL-M25-PLRBK - 1407711

## Classifications

### UNSPSC

|               |          |
|---------------|----------|
| UNSPSC 6.01   | 30211923 |
| UNSPSC 7.0901 | 39121522 |
| UNSPSC 11     | 39121522 |
| UNSPSC 12.01  | 39121522 |
| UNSPSC 13.2   | 39121409 |
| UNSPSC 18.0   | 39121409 |
| UNSPSC 19.0   | 39121409 |
| UNSPSC 20.0   | 39121409 |
| UNSPSC 21.0   | 39121409 |

## Approvals

### Approvals

#### Approvals

EAC / DNV GL / EAC

#### Ex Approvals

### Approval details

|     |  |                          |
|-----|--|--------------------------|
| EAC |  | RU C-<br>DE.AI30.B.01102 |
|-----|--|--------------------------|

|        |  |                                                                                   |            |
|--------|--|-----------------------------------------------------------------------------------|------------|
| DNV GL |  | <a href="https://approvalfinder.dnvgl.com/">https://approvalfinder.dnvgl.com/</a> | TAE000037S |
|--------|--|-----------------------------------------------------------------------------------|------------|

|     |  |                          |
|-----|--|--------------------------|
| EAC |  | RU C-<br>DE.BL08.B.00511 |
|-----|--|--------------------------|

## Accessories

### Accessories

### Device marking

## Connector set - HC-EVO-B10PT-BWD-HL-M25-PLRBK - 1407711

### Accessories

Snap-in markers - US-EMP (20X9) - 0829439



Snap-in markers, Card, white, unlabeled, can be labeled with: BLUEMARK ID COLOR, BLUEMARK ID, THERMOMARK PRIME, THERMOMARK CARD 2.0, THERMOMARK CARD, mounting type: snapped into marker carrier, lettering field size: 20 x 9 mm, Number of individual labels: 70

---

### Housing latches

Double locking latch - HC-B10-24-DL-PLBK - 1407696



Replacement double locking latch for HEAVYCON EVO housing, HC-B10/HC-B16/HC-B24, PA

---

Phoenix Contact 2020 © - all rights reserved  
<http://www.phoenixcontact.com>

PHOENIX CONTACT GmbH & Co. KG  
Flachsmarktstr. 8  
32825 Blomberg  
Germany  
Tel. +49 5235 300  
Fax +49 5235 3 41200  
<http://www.phoenixcontact.com>