

## Sensor/actuator cable - SAC-3P- 1,5-600/M 8FR FB - 1406481

Please be informed that the data shown in this PDF Document is generated from our Online Catalog. Please find the complete data in the user's documentation. Our General Terms of Use for Downloads are valid (<http://phoenixcontact.com/download>)




Sensor/actuator cable, 3-position, PP-EPDM halogen-free, gray RAL 7035, free cable end, on Socket angled M8, cable length: 1.5 m, Hygienic design, with plastic knurl

### Your advantages

- ✓ Easy and safe: 100% electrically tested plug-in components
- ✓ Easy to clean, thanks to the special hygienic design
- ✓ Contamination can be detected quickly – thanks to the light color

### Key Commercial Data

|              |   |
|--------------|---|
| Packing unit | 1 pc  |
| GTIN         | <br>4 046356 780490 |
| GTIN         | 4046356780490   |

### Technical data

#### Dimensions

|                 |       |
|-----------------|-------|
| Length of cable | 1.5 m |
|-----------------|-------|

#### Ambient conditions

|                                 |                                   |
|---------------------------------|-----------------------------------|
| Ambient temperature (operation) | -40 °C ... 105 °C (Plug / socket) |
| Degree of protection            | IP65                              |
|                                 | IP67                              |
|                                 | IP68                              |
|                                 | IP69K                             |

#### General

|                       |         |
|-----------------------|---------|
| Rated current at 40°C | 4 A     |
| Rated voltage         | 48 V AC |
|                       | 60 V DC |
| Number of positions   | 3       |

# Sensor/actuator cable - SAC-3P- 1,5-600/M 8FR FB - 1406481

## Technical data

### General

|                              |  |
|------------------------------|--|
| Insulation resistance        | ≥ 100 MΩ                                 |
| Coding                       | A - standard                             |
| Standards/regulations        | M8 connector IEC 61076-2-104             |
|                              | Material conformance FDA 21 CFR 177.2600 |
| Status display               | No                                       |
| Protective circuit/component | unwired                                  |
| Overvoltage category         | II                                       |
| Degree of pollution          | 3  |
| Insertion/withdrawal cycles  | ≥ 100                                    |
| Torque                       | 0.2 Nm (M8 connectors)                   |

### Material

|                          |               |
|--------------------------|---------------|
| Contact material         | CuSn          |
| Contact surface material | Ni/Au         |
| Contact carrier material | PP            |
| Material of grip body    | PP            |
| Material, knurls         | Polypropylene |
| Sealing material         | FKM           |

### Standards and Regulations

|                          |  |
|--------------------------|--|
| Standards/specifications | M8 connector IEC 61076-2-104             |
|                          | Material conformance FDA 21 CFR 177.2600 |

### Cable

|   |                                       |
|---|---------------------------------------|
| Cable type                                      | Halogen-free PP gray                  |
| Cable type (abbreviation)                       | 600                                   |
| Cable abbreviation                              | Li9Y14Y                               |
| Conductor cross section                         | 3x 0.25 mm <sup>2</sup> (Signal line) |
| AWG signal line                                 | 24                                    |
| Conductor structure signal line                 | 32x 0.10 mm                           |
| Core diameter including insulation              | 1.17 mm ±0.02 mm (Signal line)        |
| Thickness, insulation                           | ≥ 0.21 mm (Core insulation)           |
| Wire colors                                     | brown, blue, black                    |
| Overall twist                                   | 3 wires, twisted                      |
| Length of twist, overall twist                  | 40 mm                                 |
| External sheath, color                          | gray RAL 7035                         |
| Outer sheath thickness                          | approx. 0.8 mm                        |
| External cable diameter D                       | 4.2 mm ±0.15 mm                       |
| Minimum bending radius, fixed installation      | 5 x D                                 |
| Minimum bending radius, flexible installation   | 10 x D                                |
| Number of bending cycles                        | 4000000                               |
| Minimum bending radius, drag chain applications | 10 x D                                |

## Sensor/actuator cable - SAC-3P- 1,5-600/M 8FR FB - 1406481

### Technical data

#### Cable

|                                 |   |
|---------------------------------|---|
| Traversing path                 | 10 m  |
| Traversing rate                 | 3 m/s   |
| Acceleration                    | 10 m/s <sup>2</sup>   |
| Torsion force                   | ± 270 °m (4,000,000 torsion cycles, max. 25 torsion cycles/min)                   |
| Cable weight                    | 19 kg/km  |
| Outer sheath, material          | PP-EPDM   |
| Material conductor insulation   | PP  |
| Conductor material              | Bare Cu litz wires  |
| Insulation resistance           | ≥ 1 GΩ*km (at 20 °C)  |
| Conductor resistance            | 78 Ω/km (at 20 °C)  |
| Nominal voltage, cable          | ≤ 300 V AC  |
| Test voltage, cable             | ≥ 3000 V AC (Spark test)  |
| Special properties              | FDA compliant according to FDA 21 CFR 177.2600                                    |
|                                 | highly flexible   |
|                                 | Flexible cable conduit capable  |
| Halogen-free                    | in accordance with DIN VDE 0472 part 815  |
|                                 | in accordance with DIN EN 50267-2-1   |
| Other resistance                | Resistant to cold bending and cold impacts According to DIN EN 60811-1-4 (-40 °C) |
| Ambient temperature (operation) | -40 °C ... 105 °C (cable, fixed installation)                                     |
|                                 | -25 °C ... 105 °C (cable, flexible installation)                                  |

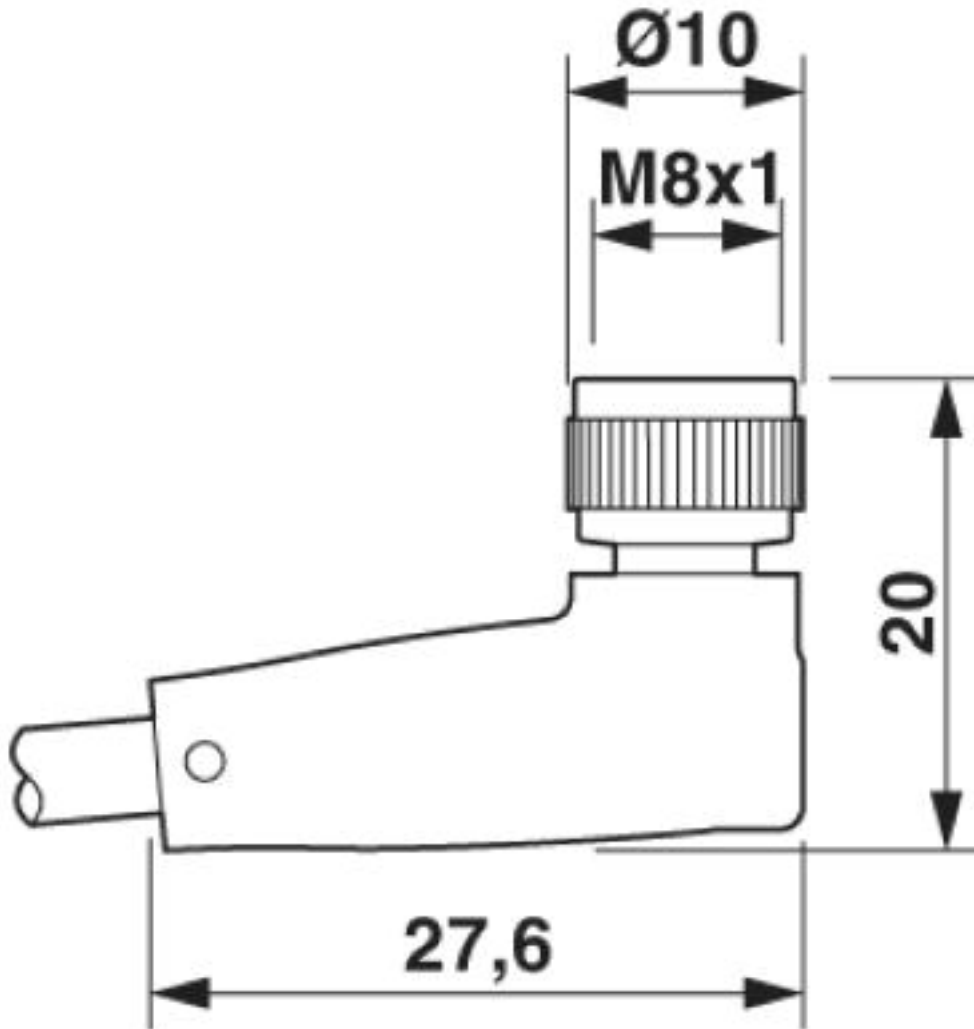
#### Environmental Product Compliance

|            |   |
|------------|---|
| China RoHS | Environmentally friendly use period: unlimited = EFUP-e |
|            | No hazardous substances above threshold values          |

#### Drawings

# Sensor/actuator cable - SAC-3P- 1,5-600/M 8FR FB - 1406481

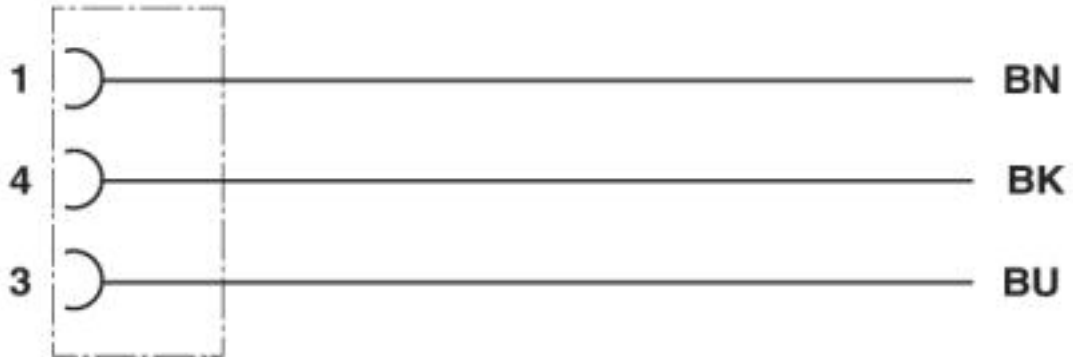
Dimensional drawing



Socket M8 x 1, angled

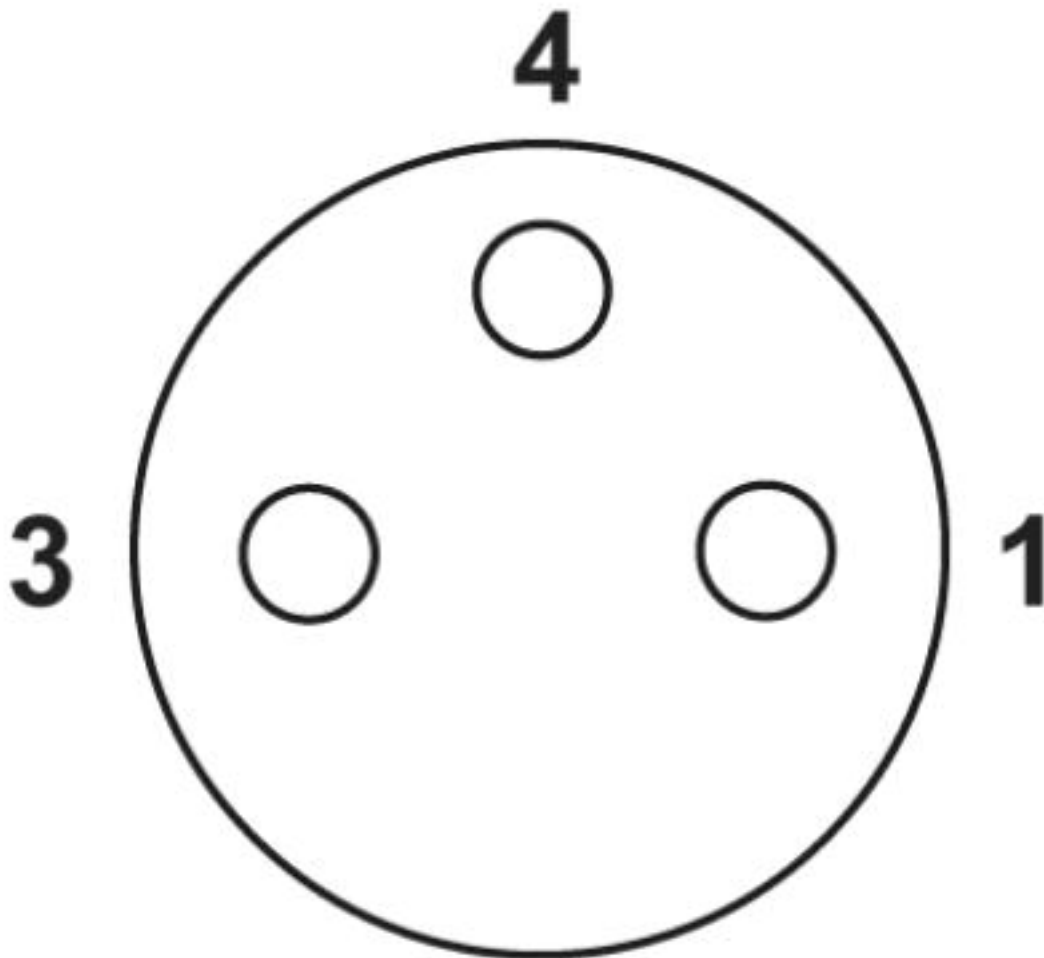
# Sensor/actuator cable - SAC-3P- 1,5-600/M 8FR FB - 1406481

Circuit diagram



Contact assignment of M8 plugs/sockets

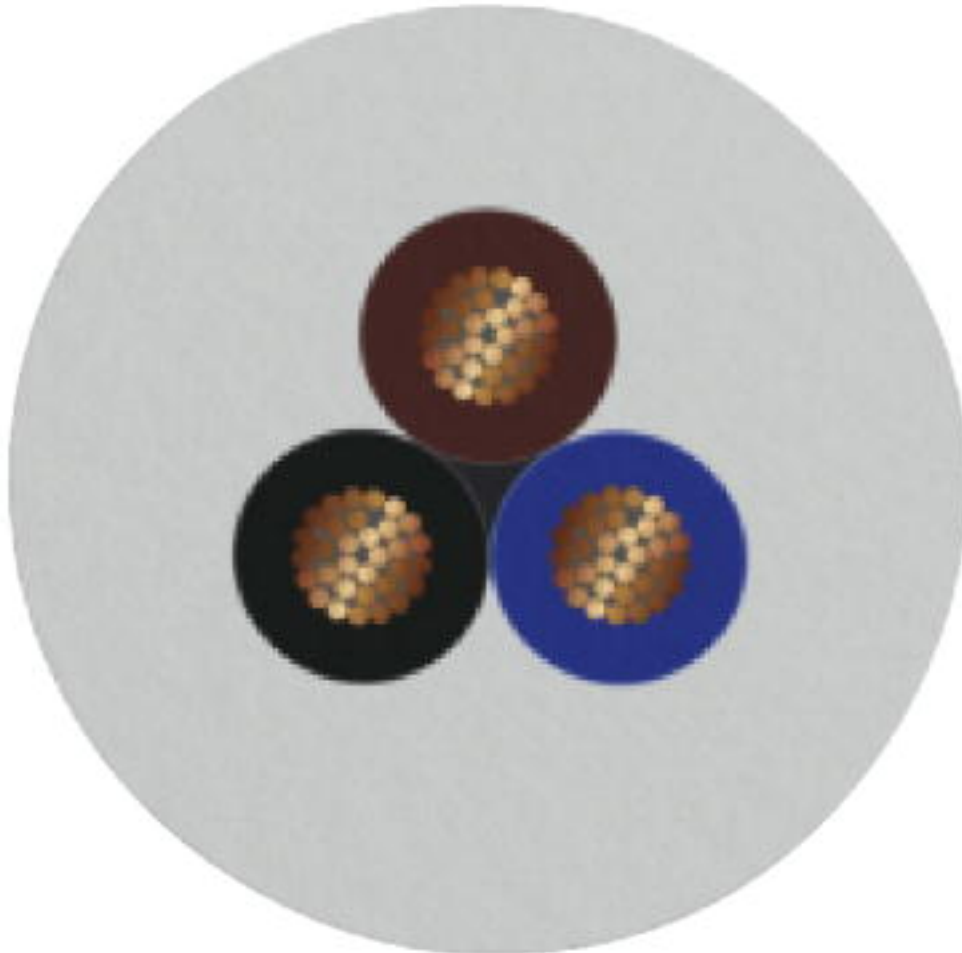
Schematic diagram



Pin assignment M8 socket, 3-pos., view female side

## Sensor/actuator cable - SAC-3P- 1,5-600/M 8FR FB - 1406481

Cable cross section



Halogen-free PP gray [600]

### Classifications

eCl@ss

|               |          |
|---------------|----------|
| eCl@ss 10.0.1 | 27060311 |
| eCl@ss 4.0    | 27060300 |
| eCl@ss 4.1    | 27060300 |
| eCl@ss 5.0    | 27061800 |
| eCl@ss 5.1    | 27061800 |
| eCl@ss 6.0    | 27279200 |
| eCl@ss 7.0    | 27279218 |
| eCl@ss 8.0    | 27279218 |
| eCl@ss 9.0    | 27060311 |

# Sensor/actuator cable - SAC-3P- 1,5-600/M 8FR FB - 1406481

## Classifications

### ETIM

|          |          |
|----------|----------|
| ETIM 3.0 | EC001855 |
| ETIM 4.0 | EC001855 |
| ETIM 5.0 | EC001855 |
| ETIM 6.0 | EC001855 |
| ETIM 7.0 | EC001855 |

### UNSPSC

|               |          |
|---------------|----------|
| UNSPSC 6.01   | 31251501 |
| UNSPSC 7.0901 | 31251501 |
| UNSPSC 11     | 31251501 |
| UNSPSC 12.01  | 31251501 |
| UNSPSC 13.2   | 31251501 |
| UNSPSC 19.0   | 31251501 |
| UNSPSC 20.0   | 31251501 |
| UNSPSC 21.0   | 31251501 |

## Accessories

### Accessories

#### Cutting tools

Diagonal cutter - CUTFOX-S VDE - 1212207



Diagonal cutter for hard (piano wire) and soft wires, VDE 1000 V AC/1500 V DC tested

---

### Screwdriver tools

Tool - SAC BIT M8-D10 - 1208461



Nut for assembling M8 connectors with longitudinal knurl and a knurl diameter of 10 mm, for 4 mm hexagonal drive

---

### Stripping tool

## Sensor/actuator cable - SAC-3P- 1,5-600/M 8FR FB - 1406481

### Accessories

Stripping tool - WIREFOX SAC - 1212623



Stripping pliers, for halogen-free sensor/actuator cables (SAC cables), with PUR and PVC insulation, from  $\varnothing$  of 4.4 to 7 mm, any stripping length

Stripping tool - WIREFOX 10 - 1212150



Stripping tool, for cables and conductors from 0.02 - 10 mm<sup>2</sup>, self-adjusting, stripping length of up to 18 mm, cutting capacity of up to 10 mm<sup>2</sup> stranded/1.5 mm<sup>2</sup> solid, replaceable stripping blade

### Torque tool

Torque screwdriver - TSD 02 SAC - 1208487



Torque screwdriver, with preset torque of 0.2 Nm and 4 mm hexagonal drive for M8 connectors

Phoenix Contact 2020 © - all rights reserved  
<http://www.phoenixcontact.com>

PHOENIX CONTACT GmbH & Co. KG  
Flachsmarktstr. 8  
32825 Blomberg  
Germany  
Tel. +49 5235 300  
Fax +49 5235 3 41200  
<http://www.phoenixcontact.com>