

# Sensor/actuator cable - SAC-3P-M8MR/10,0-542 BK - 1406291

Please be informed that the data shown in this PDF Document is generated from our Online Catalog. Please find the complete data in the user's documentation. Our General Terms of Use for Downloads are valid (<http://phoenixcontact.com/download>)



Sensor/actuator cable, 3-position, PVC, yellow, Plug angled M8, on free cable end, cable length: 10 m



## Key Commercial Data

|                        |               |
|------------------------|---------------|
| Packing unit           | 1 pc          |
| Minimum order quantity | 50 pc         |
| GTIN                   |               |
| GTIN                   | 4046356797627 |

## Technical data

### Dimensions

|                 |      |
|-----------------|------|
| Length of cable | 10 m |
|-----------------|------|

### Ambient conditions

|                                 |                                  |
|---------------------------------|----------------------------------|
| Ambient temperature (operation) | -25 °C ... 90 °C (Plug / socket) |
| Degree of protection            | IP65                             |
|                                 | IP67                             |
|                                 | IP68                             |

### General

|                              |                              |
|------------------------------|------------------------------|
| Rated current at 40°C        | 4 A                          |
| Rated voltage                | 48 V AC                      |
|                              | 60 V DC                      |
| Number of positions          | 3                            |
| Insulation resistance        | ≥ 100 MΩ                     |
| Coding                       | A - standard                 |
| Standards/regulations        | M8 connector IEC 61076-2-104 |
| Status display               | No                           |
| Protective circuit/component | unwired                      |

# Sensor/actuator cable - SAC-3P-M8MR/10,0-542 BK - 1406291

## Technical data

### General

|                             |                        |
|-----------------------------|------------------------|
| Overvoltage category        | II                     |
| Degree of pollution         | 3                      |
| Insertion/withdrawal cycles | ≥ 100                  |
| Torque                      | 0.2 Nm (M8 connectors) |

### Material

|  |   |
|--|---|
| Flammability rating according to UL 94 | HB  |
| Contact material                       | CuSn  |
| Contact surface material               | Ni/Au                                       |
| Contact carrier material               | TPU GF                                      |
| Material of grip body                  | TPU, hardly inflammable, self-extinguishing |
| Material, knurls                       | Zinc die-cast, nickel-plated                |

### Standards and Regulations

|  |                              |
|--|------------------------------|
| Standards/specifications               | M8 connector IEC 61076-2-104 |
| Flammability rating according to UL 94 | HB                           |

### Cable

|   |   |
|---|---|
| Cable type                                    | PVC yellow 105 °C                             |
| Cable type (abbreviation)                     | 542   |
| UL AWM style                                  | 2517 (105 °C / 300 V)                         |
| AWG signal line                               | 24  |
| Core diameter including insulation            | 1.12 mm ±0.03 mm                              |
| Wire colors                                   | brown, blue, black                            |
| Overall twist                                 | 3 wires, twisted                              |
| External sheath, color                        | yellow  |
| External cable diameter D                     | 4.1 mm ±0.2 mm                                |
| Minimum bending radius, flexible installation | 8 x D   |
| Cable weight                                  | 21 kg/km                                      |
| Outer sheath, material                        | PVC   |
| Material conductor insulation                 | PVC   |
| Conductor material                            | Tin-plated Cu litz wires                      |
| Insulation resistance                         | ≥ (550 M Ohms/m @ 500V)                       |
| Conductor resistance                          | max. 79.7 Ω/km (20 °C)                        |
| Nominal voltage, cable                        | 300 V   |
| Flame resistance                              | FT4   |
| Other resistance                              | UV resistant                                  |
| Ambient temperature (operation)               | -30 °C ... 105 °C (cable, fixed installation) |

### Environmental Product Compliance

|            |  |
|------------|--|
| REACH SVHC | Lead 7439-92-1                                 |
| China RoHS | Environmentally Friendly Use Period = 50 years |

## Sensor/actuator cable - SAC-3P-M8MR/10,0-542 BK - 1406291

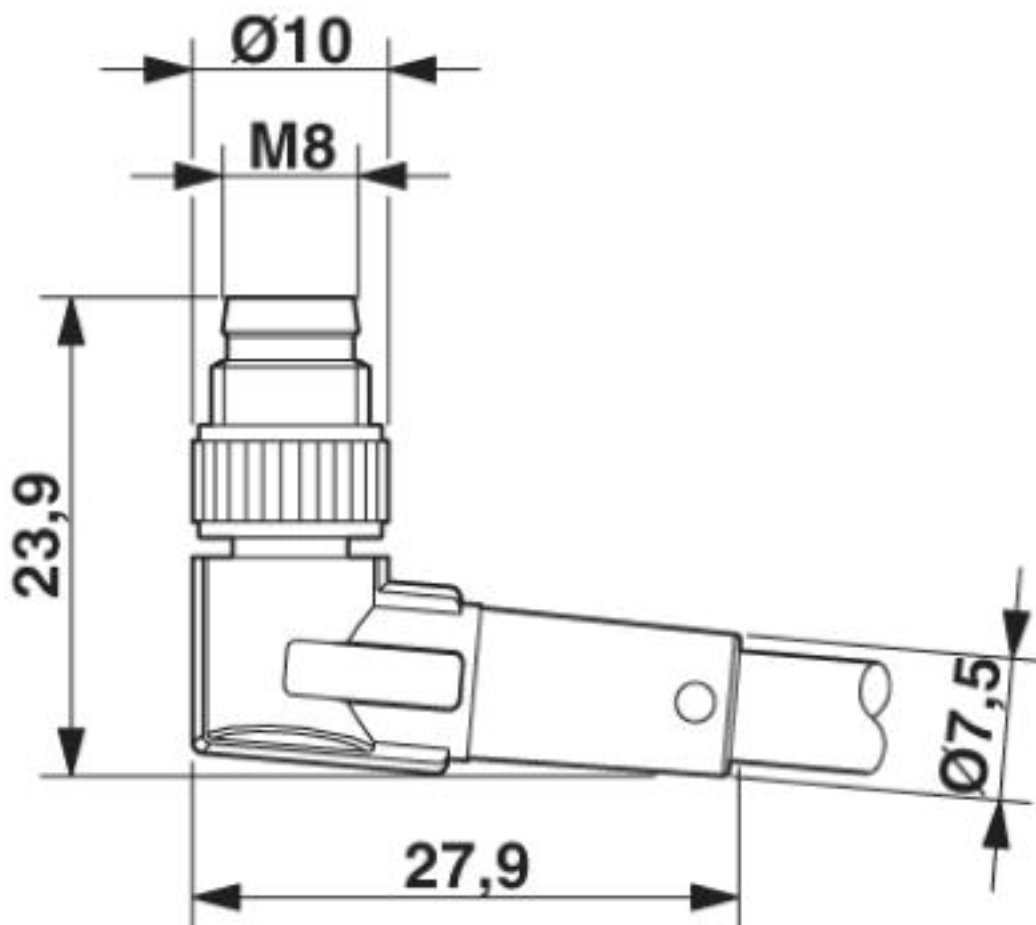
### Technical data

#### Environmental Product Compliance

|  |   |
|--|---|
|  | For details about hazardous substances go to tab "Downloads", Category "Manufacturer's declaration" |
|--|---|

### Drawings

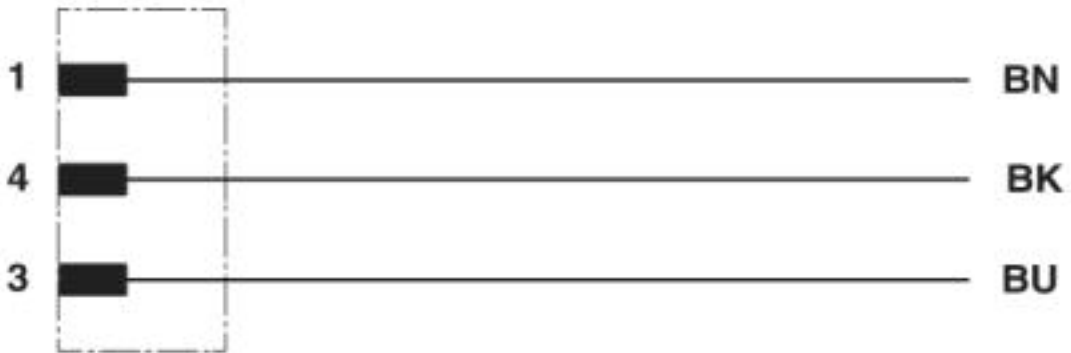
Dimensional drawing



M8 x 1 male plug, angled version

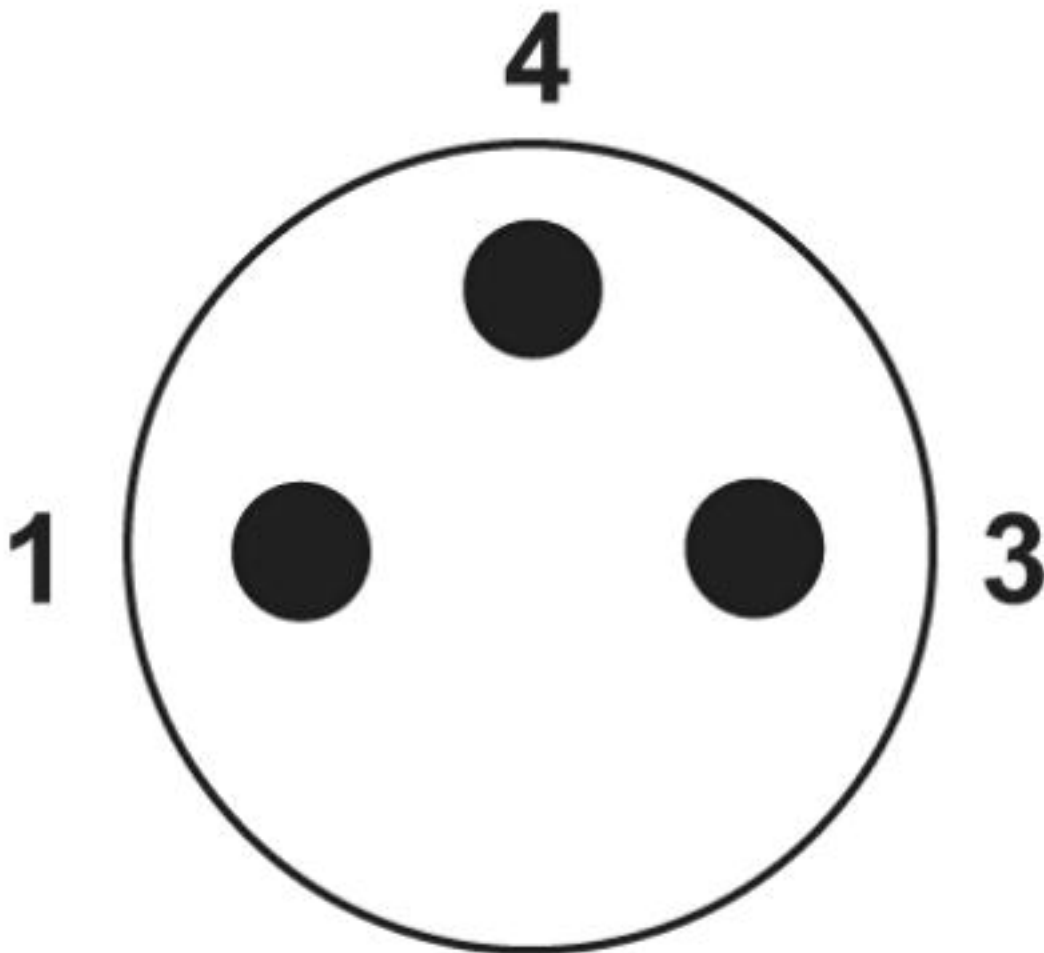
# Sensor/actuator cable - SAC-3P-M8MR/10,0-542 BK - 1406291

Circuit diagram



Contact assignment of the M8 plug

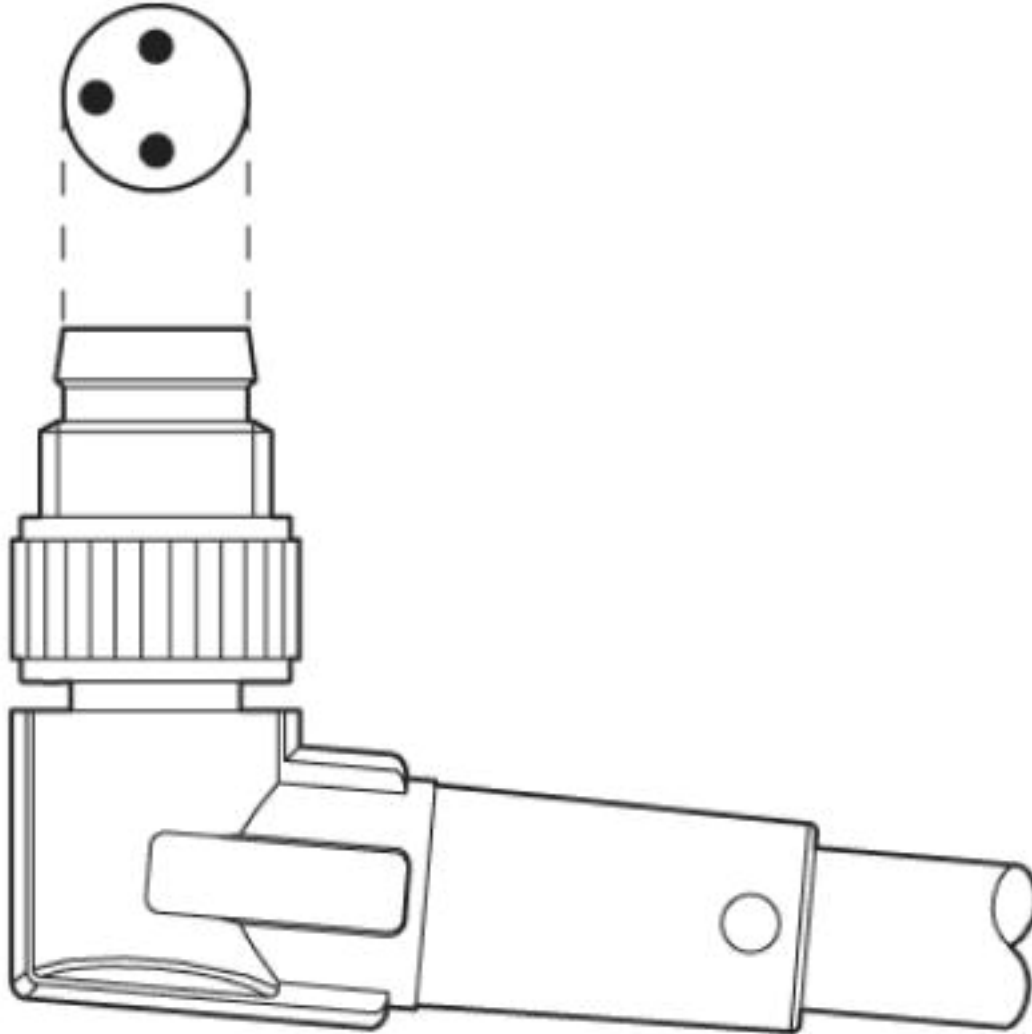
Schematic diagram



Pin assignment M8 plug, 3-pos., view male side

## Sensor/actuator cable - SAC-3P-M8MR/10,0-542 BK - 1406291

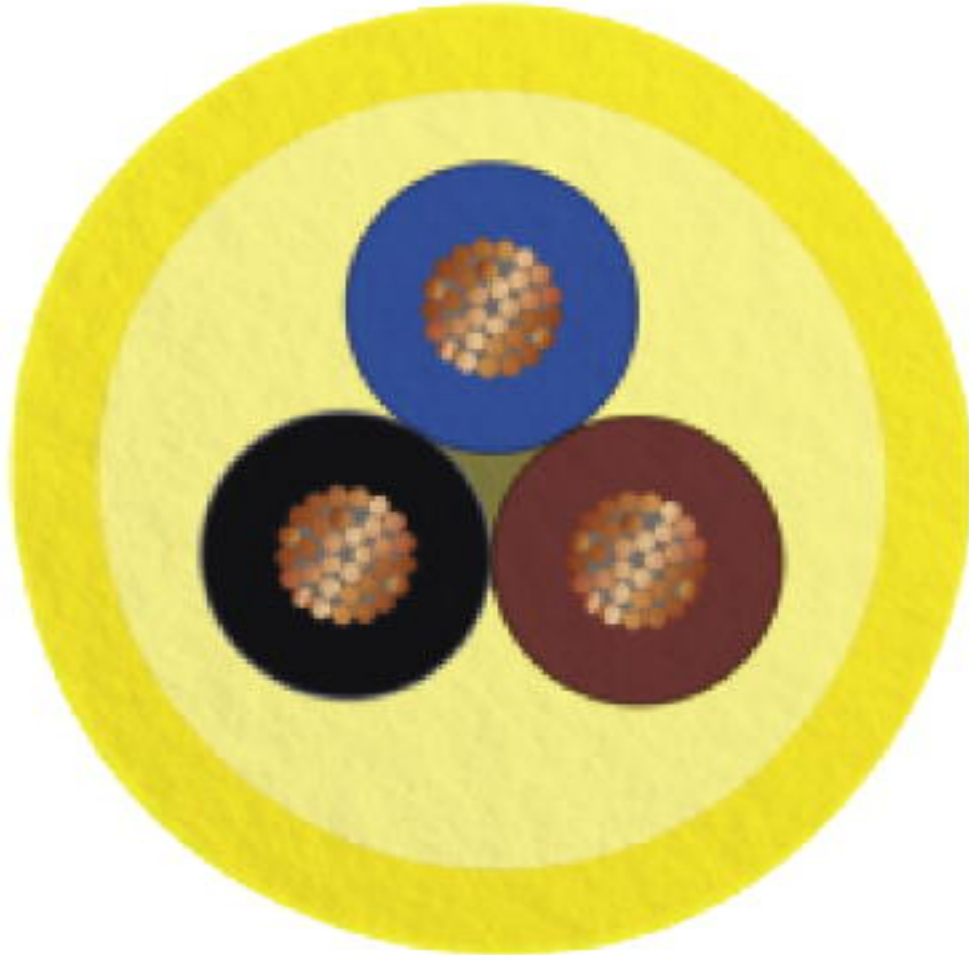
Schematic diagram



Layout of connector pin assignments

# Sensor/actuator cable - SAC-3P-M8MR/10,0-542 BK - 1406291

Cable cross section



PVC yellow 105 °C [542]

## Classifications

eCl@ss

|               |          |
|---------------|----------|
| eCl@ss 10.0.1 | 27060311 |
| eCl@ss 4.0    | 27060300 |
| eCl@ss 4.1    | 27060300 |
| eCl@ss 5.0    | 27061800 |
| eCl@ss 5.1    | 27061800 |
| eCl@ss 6.0    | 27279200 |
| eCl@ss 7.0    | 27279218 |
| eCl@ss 8.0    | 27279218 |
| eCl@ss 9.0    | 27060311 |

# Sensor/actuator cable - SAC-3P-M8MR/10,0-542 BK - 1406291

## Classifications

### ETIM

|          |          |
|----------|----------|
| ETIM 3.0 | EC001855 |
| ETIM 4.0 | EC001855 |
| ETIM 5.0 | EC001855 |
| ETIM 6.0 | EC001855 |
| ETIM 7.0 | EC001855 |

### UNSPSC

|               |          |
|---------------|----------|
| UNSPSC 6.01   | 31251501 |
| UNSPSC 7.0901 | 31251501 |
| UNSPSC 11     | 31251501 |
| UNSPSC 12.01  | 31251501 |
| UNSPSC 13.2   | 31251501 |
| UNSPSC 19.0   | 31251501 |
| UNSPSC 20.0   | 31251501 |
| UNSPSC 21.0   | 31251501 |

## Approvals

### Approvals

#### Approvals

UL Listed / cUL Listed / cULus Listed

#### Ex Approvals

### Approval details

|                    |      |   |               |
|--------------------|------|---|---------------|
| UL Listed          |      | <a href="http://database.ul.com/cgi-bin/XYV/template/LISEXT/1FRAME/index.htm">http://database.ul.com/cgi-bin/XYV/template/LISEXT/1FRAME/index.htm</a> | FILE E 221474 |
| Nominal voltage UN | 60 V |   |               |
| Nominal current IN | 4 A  |   |               |

|                    |      |   |               |
|--------------------|------|---|---------------|
| cUL Listed         |      | <a href="http://database.ul.com/cgi-bin/XYV/template/LISEXT/1FRAME/index.htm">http://database.ul.com/cgi-bin/XYV/template/LISEXT/1FRAME/index.htm</a> | FILE E 221474 |
| Nominal voltage UN | 60 V |   |               |
| Nominal current IN | 4 A  |   |               |

## Sensor/actuator cable - SAC-3P-M8MR/10,0-542 BK - 1406291

### Approvals

cULus Listed



### Accessories

#### Accessories

##### Protective cap

Sealing cap - PROT-M 8 FS-PA-CHAIN - 1430857

M8 sealing cap made of plastic with fixing band for sensor cables, for M8 plugs



### Screwdriver tools

Tool - SAC BIT M8-D10 - 1208461



Nut for assembling M8 connectors with longitudinal knurl and a knurl diameter of 10 mm, for 4 mm hexagonal drive

### Torque tool

Torque screwdriver - TSD 02 SAC - 1208487



Torque screwdriver, with preset torque of 0.2 Nm and 4 mm hexagonal drive for M8 connectors