

Network cable - NBC-MR/ 2,0-94B SCO US - 1406116


Please be informed that the data shown in this PDF Document is generated from our Online Catalog. Please find the complete data in the user's documentation. Our General Terms of Use for Downloads are valid (<http://phoenixcontact.com/download>)



Network cable, Ethernet CAT5 (1 Gbps), 8-position, PUR halogen-free, water blue RAL 5021, shielded, Plug angled M12 SPEEDCON / IP67, coding: A, on free cable end, cable length: 2 m



Key Commercial Data

| | |
|------------------------|---|
| Packing unit | 1 pc |
| Minimum order quantity | 50 pc |
| GTIN |  4 046356 799331 |
| GTIN | 4046356799331 |

Technical data

Dimensions

| | |
|-----------------|-----|
| Length of cable | 2 m |
|-----------------|-----|

Ambient conditions

| | |
|---------------------------------|----------------------------------|
| Degree of protection | IP65 |
| | IP67 |
| Ambient temperature (operation) | -25 °C ... 85 °C (M12 connector) |

General data

| | |
|--------------------------|-------------------------------|
| Rated current at 40°C | 2 A |
| Rated voltage | 48 V AC |
| | 60 V DC |
| Number of positions | 8 |
| Standards/regulations | M12 connector IEC 61076-2-101 |
| Contact material | CuSn |
| Contact carrier material | TPU GF |
| Contact surface material | Ni/Au |
| Degree of protection | IP65/IP67 |

Network cable - NBC-MR/ 2,0-94B SCO US - 1406116

Technical data

Characteristics head 1

| | |
|------------------------|---------------------|
| Coding | A (Standard) |
| Shielded | yes |
| Outer sheath, material | PUR |
| External sheath, color | water blue RAL 5021 |
| Type type, plug side | Plug angled |
| Type type, socket side | free cable end |

Characteristics head 2

| | |
|-------|-------|
| Color | black |
|-------|-------|

Standards and Regulations

| | |
|--------------------------|-------------------------------|
| Standards/specifications | M12 connector IEC 61076-2-101 |
|--------------------------|-------------------------------|

Cable

| | |
|---|--|
| Cable type | Ethernet flexible CAT5, 4-pair |
| Cable type (abbreviation) | 94B |
| UL AWM style | 20963 (80°C/30 V) |
| Cable structure | 4x2xAWG26/7; SF/UTP |
| Conductor cross section | 4x 2x 0.14 mm ² |
| AWG signal line | 26 |
| Conductor structure signal line | 7x 0.16 mm |
| Core diameter including insulation | 0.96 mm |
| Wire colors | white/blue-blue, white/orange-orange, white/green-green, white/brown-brown |
| Twisted pairs | 2 cores to the pair |
| Overall twist | 4 pairs for core |
| Shielding | Aluminum-coated foil, tinned copper braided shield |
| Optical shield covering | 70 % |
| External sheath, color | water blue RAL 5021 |
| Outer sheath thickness | 1.05 mm |
| External cable diameter D | 6.4 mm ±0.2 mm |
| Minimum bending radius, fixed installation | 4 x D |
| Minimum bending radius, flexible installation | 8 x D |
| Tensile strength GRP | ≤ 100 N |
| Cable weight | 47 kg/km |
| Outer sheath, material | PUR |
| Material conductor insulation | Foamed PE |
| Conductor material | Bare Cu litz wires |
| Insulation resistance | ≥ 500 MΩ*km |
| Loop resistance | ≤ 290.00 Ω/km |
| Cable capacity | 48 nF/km (at 1 kHz) |
| Wave impedance | 100 Ω ±5 Ω (at 100 MHz) |
| Near end crosstalk attenuation (NEXT) | 71.3 dB (with 1 MHz) |

Network cable - NBC-MR/ 2,0-94B SCO US - 1406116

Technical data

Cable

| | |
|--|--|
| | 62.3 dB (at 4 MHz) |
| | 56.3 dB (at 10 MHz) |
| | 53.2 dB (at 16 MHz) |
| | 51.8 dB (at 20 MHz) |
| | 48.9 dB (at 31.25 MHz) |
| | 44.4 dB (at 62.5 MHz) |
| | 41.3 dB (at 100 MHz) |
| Power-summated near end crosstalk attenuation (PSNEXT) | 62.3 dB (with 1 MHz) |
| | 53.3 dB (at 4 MHz) |
| | 47.3 dB (at 10 MHz) |
| | 44.2 dB (at 16 MHz) |
| | 42.8 dB (at 20 MHz) |
| | 39.9 dB (at 31.25 MHz) |
| | 35.4 dB (at 62.5 MHz) |
| | 32.3 dB (at 100 MHz) |
| Attenuation | 3.2 dB (with 1 MHz) |
| | 6 dB (at 4 MHz) |
| | 9.5 dB (at 10 MHz) |
| | 12.1 dB (at 16 MHz) |
| | 13.6 dB (at 20 MHz) |
| | 17.1 dB (at 31.25 MHz) |
| | 24.8 dB (at 62.5 MHz) |
| | 32 dB (at 100 MHz) |
| Return loss (RL) | 23 dB (at 4 MHz) |
| | 24.1 dB (at 8 MHz) |
| | 25 dB (at 10 MHz) |
| | 25 dB (at 16 MHz) |
| | 25 dB (at 20 MHz) |
| | 23.6 dB (at 31.25 MHz) |
| | 21.5 dB (at 62.5 MHz) |
| | 20.1 dB (at 100 MHz) |
| Signal runtime | 5.3 ns/m |
| Coupling resistance | ≤ 100.00 mΩ/m (at 10 MHz) |
| Nominal voltage, cable | ≤ 100 V |
| Test voltage Core/Core | 700 V (50 Hz, 1 min.) |
| Test voltage Core/Shield | 700 V (50 Hz, 1 min.) |
| Flame resistance | according to IEC 60332-1-2 |
| Halogen-free | according to IEC 60754-1 |
| Resistance to oil | according to EN 60811-2-1 |
| Ambient temperature (operation) | -40 °C ... 80 °C (cable, fixed installation) |

Network cable - NBC-MR/ 2,0-94B SCO US - 1406116

Technical data

Cable

| | |
|---|---|
| | -20 °C ... 80 °C (cable, flexible installation) |
| Ambient temperature (installation) | -20 °C ... 80 °C |
| Ambient temperature (storage/transport) | -20 °C ... 80 °C |

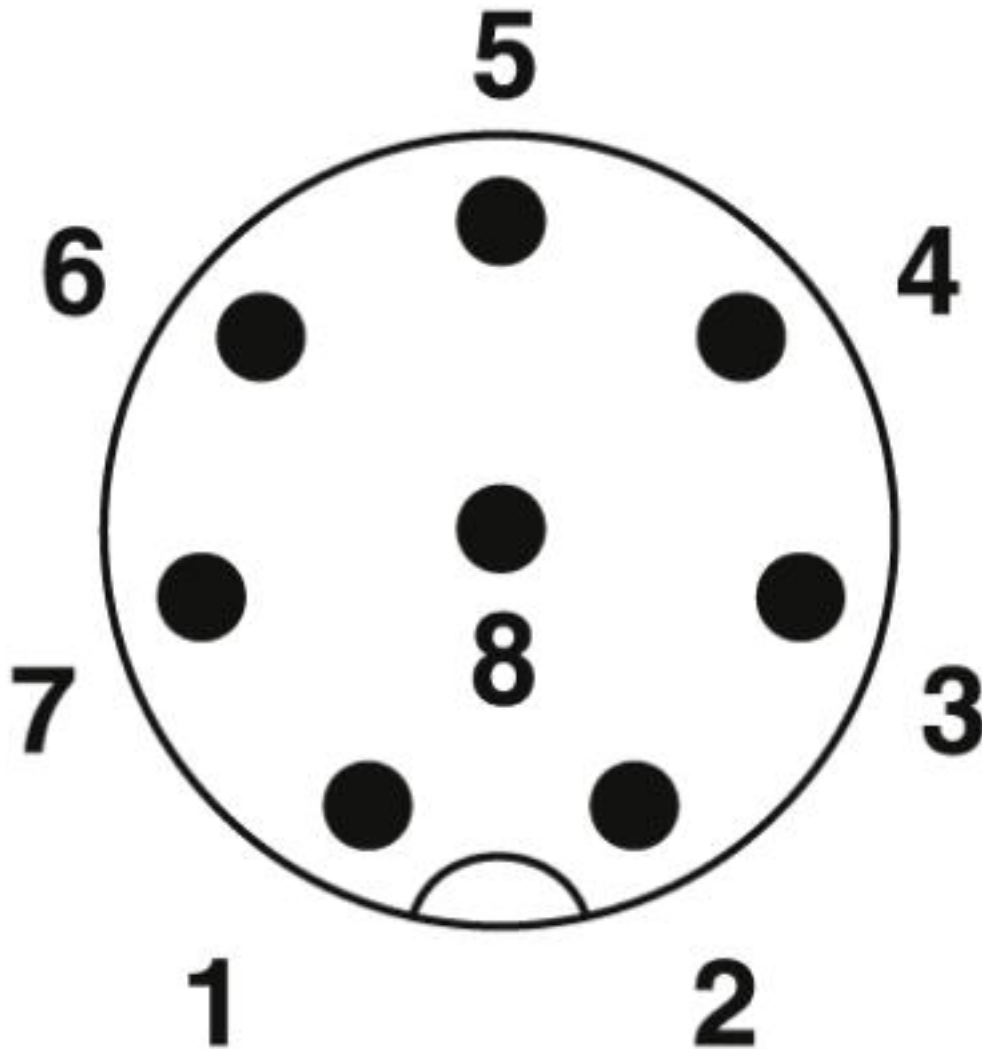
Environmental Product Compliance

| | |
|------------|---|
| REACH SVHC | Lead 7439-92-1 |
| China RoHS | Environmentally Friendly Use Period = 50 years |
| | For details about hazardous substances go to tab "Downloads", Category "Manufacturer's declaration" |

Drawings

Network cable - NBC-MR/ 2,0-94B SCO US - 1406116

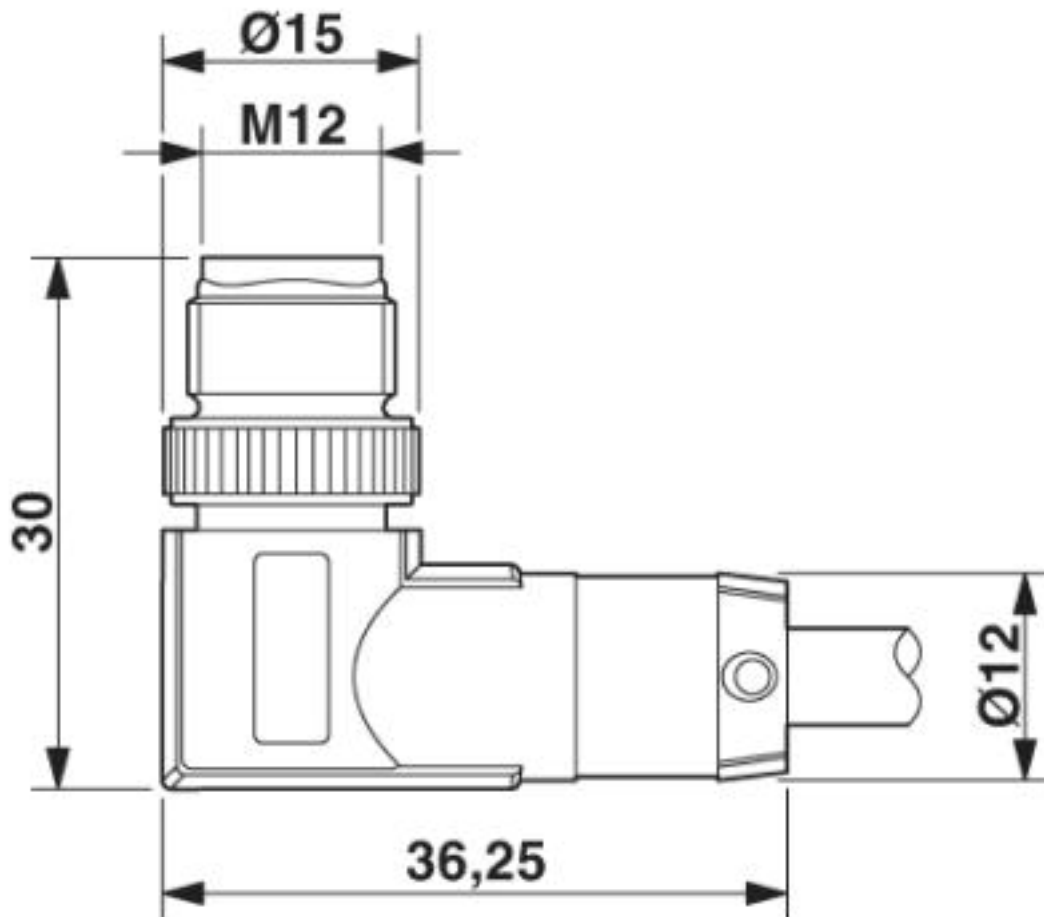
Schematic diagram



Pin assignment M12 plug, 8-pos., A-coded, view plug side

Network cable - NBC-MR/ 2,0-94B SCO US - 1406116

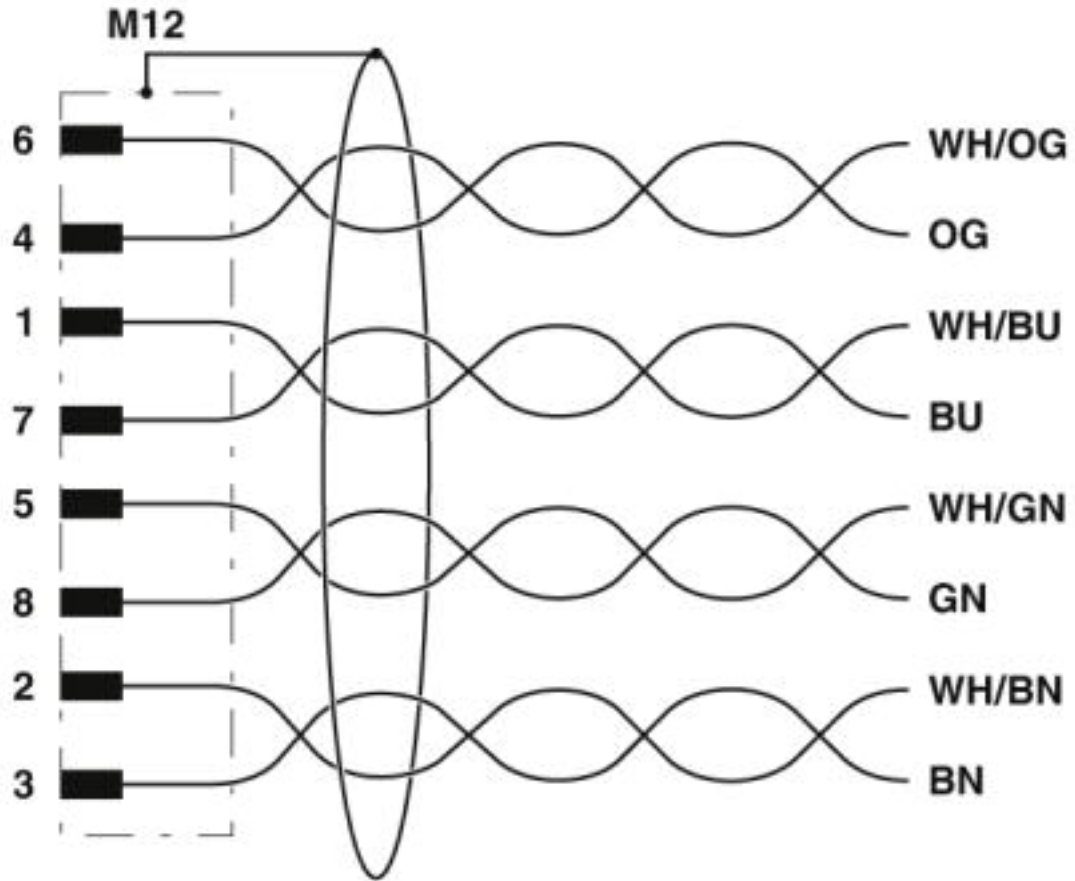
Dimensional drawing



M12 x 1 male plug, angled, shielded

Network cable - NBC-MR/ 2,0-94B SCO US - 1406116

Circuit diagram



Contact assignment of the M12 plug

Network cable - NBC-MR/ 2,0-94B SCO US - 1406116

Cable cross section



Ethernet flexible CAT5, 4-pair [94B]

Classifications

eCl@ss

| | |
|---------------|----------|
| eCl@ss 10.0.1 | 27060308 |
| eCl@ss 4.0 | 24010400 |
| eCl@ss 4.1 | 24010400 |
| eCl@ss 5.0 | 19030300 |
| eCl@ss 5.1 | 19030300 |
| eCl@ss 6.0 | 27061800 |
| eCl@ss 7.0 | 27061801 |
| eCl@ss 8.0 | 27061801 |
| eCl@ss 9.0 | 27060308 |

Network cable - NBC-MR/ 2,0-94B SCO US - 1406116

Classifications

ETIM

| | |
|----------|----------|
| ETIM 3.0 | EC001855 |
| ETIM 4.0 | EC001855 |
| ETIM 5.0 | EC002599 |
| ETIM 6.0 | EC000830 |
| ETIM 7.0 | EC003249 |

UNSPSC

| | |
|---------------|----------|
| UNSPSC 6.01 | 31251501 |
| UNSPSC 7.0901 | 31251501 |
| UNSPSC 11 | 31251501 |
| UNSPSC 12.01 | 31251501 |
| UNSPSC 13.2 | 31251501 |
| UNSPSC 18.0 | 26121604 |
| UNSPSC 19.0 | 26121604 |
| UNSPSC 20.0 | 26121604 |
| UNSPSC 21.0 | 26121604 |

Approvals

Approvals

Approvals

EAC

Ex Approvals

Approval details

| | | |
|-----|---|--------------------------|
| EAC |  | RU D- DE.HB35.B.00387 |
|-----|---|--------------------------|