

Bus system cable - SAC-5P-MS/ 0,5-924/FS SCO - 1405989


Please be informed that the data shown in this PDF Document is generated from our Online Catalog. Please find the complete data in the user's documentation. Our General Terms of Use for Downloads are valid (<http://phoenixcontact.com/download>)



Bus system cable, CANopen®, DeviceNet™, 5-position, PVC, gray, shielded, Plug straight M12 SPEEDCON, coding: A, on Socket straight M12 SPEEDCON, coding: A, cable length: 0.5 m, Connector unshielded



Key Commercial Data

| | |
|------------------------|---|
| Packing unit | 1 pc |
| Minimum order quantity | 50 pc |
| GTIN |  4 046356 800396 |
| GTIN | 4046356800396 |

Technical data

Dimensions

| | |
|-----------------|-------|
| Length of cable | 0.5 m |
|-----------------|-------|

Ambient conditions

| | |
|---------------------------------|----------------------------------|
| Ambient temperature (operation) | -25 °C ... 90 °C (Plug / socket) |
| Degree of protection | IP65 |
| | IP67 |
| | IP68 |

General

| | |
|-----------------------|--------------|
| Rated current at 40°C | 4 A |
| Rated voltage | 48 V AC |
| | 60 V DC |
| Number of positions | 5 |
| Insulation resistance | ≥ 100 MΩ |
| Coding | A - standard |
| Status display | No |
| Overvoltage category | II |
| Degree of pollution | 3 |

Bus system cable - SAC-5P-MS/ 0,5-924/FS SCO - 1405989

Technical data

General

| | |
|--------|------------------------|
| Torque | 0.4 Nm (M12 connector) |
|--------|------------------------|

Material

| | |
|--|---|
| Flammability rating according to UL 94 | HB |
| Contact material | CuSn |
| Contact surface material | Ni/Au |
| Contact carrier material | TPU GF |
| Material of grip body | TPU, hardly inflammable, self-extinguishing |
| Material, knurls | Zinc die-cast, nickel-plated |
| Sealing material | NBR |

Standards and Regulations

| | |
|--|----|
| Flammability rating according to UL 94 | HB |
|--|----|

Cable

| | |
|---|---|
| Cable type | CANopen [®] /DeviceNet [™] , PVC, gray |
| Cable type (abbreviation) | 924 |
| UL AWM style | 2464 (80°C/300 V) |
| Cable structure | 2xAWG22 (Signal) + 2xAWG22 (Power) |
| Conductor cross section | 2x 0.34 mm ² (Signal line) |
| | 2x 0.34 mm ² (Power supply) |
| AWG signal line | 22 |
| AWG power supply | 22 |
| Conductor structure signal line | 19x 0.15 mm |
| Conductor structure, voltage supply | 19x 0.15 mm |
| Core diameter including insulation | 1.27 mm ±0.05 mm (Signal line) |
| | 2.24 mm ±0.13 mm (Power supply) |
| Wire colors | Red-black, blue-white |
| Twisted pairs | 2 cores to the pair |
| Type of pair shielding | Plastic-coated aluminum foil, aluminum side inside |
| Overall twist | 2 pairs around a drain wire in the center to the core |
| Shielding | Plastic-coated aluminum foil with a filler litz wire, aluminum side outside |
| External sheath, color | gray |
| External cable diameter D | 6.9 mm ±0.13 mm |
| Minimum bending radius, flexible installation | 15 x D |
| Cable weight | 64.51 kg/km |
| Outer sheath, material | PVC |
| Material conductor insulation | Foamed PE (Signal line) |
| | PVC (Power supply) |
| Conductor material | Bare Cu litz wires |
| Insulation resistance | ≥ 59.38 Ω*m (Signal line) |
| | ≥ 57.41 GΩ*km (Power supply) |

Bus system cable - SAC-5P-MS/ 0,5-924/FS SCO - 1405989

Technical data

Cable

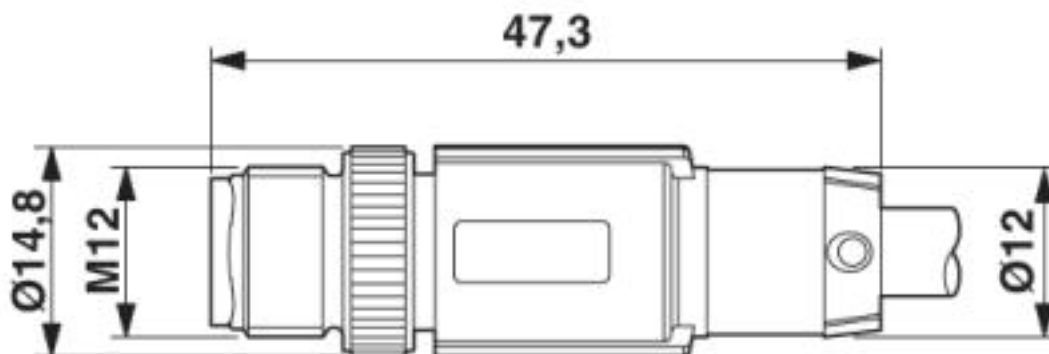
| | |
|---------------------------------|--|
| Working capacitance | nom. 78.74 pF (per meter) |
| Wave impedance | 120 Ω ±12 Ω |
| Signal runtime | 4.46 ns/m |
| Shield attenuation | 0.95 dB (f = 125 kHz) |
| | 1.64 dB (f = 500 kHz) |
| | 2.3 dB (f = 1 MHz) |
| Special properties | UL standards PLTC and ITC |
| Resistance to oil | yes |
| Other resistance | UV resistant |
| Ambient temperature (operation) | -30 °C ... 75 °C (cable, fixed installation) |

Environmental Product Compliance

| | |
|------------|---|
| China RoHS | Environmentally Friendly Use Period = 50 years |
| | For details about hazardous substances go to tab "Downloads", Category "Manufacturer's declaration" |

Drawings

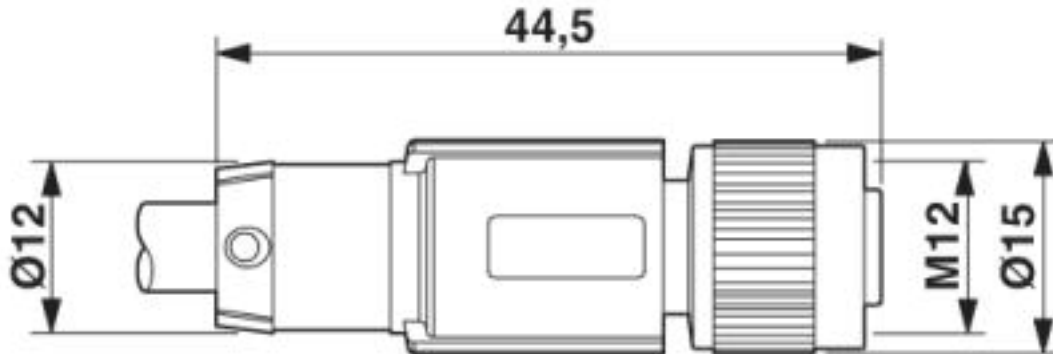
Dimensional drawing



M12 x 1 plug, straight

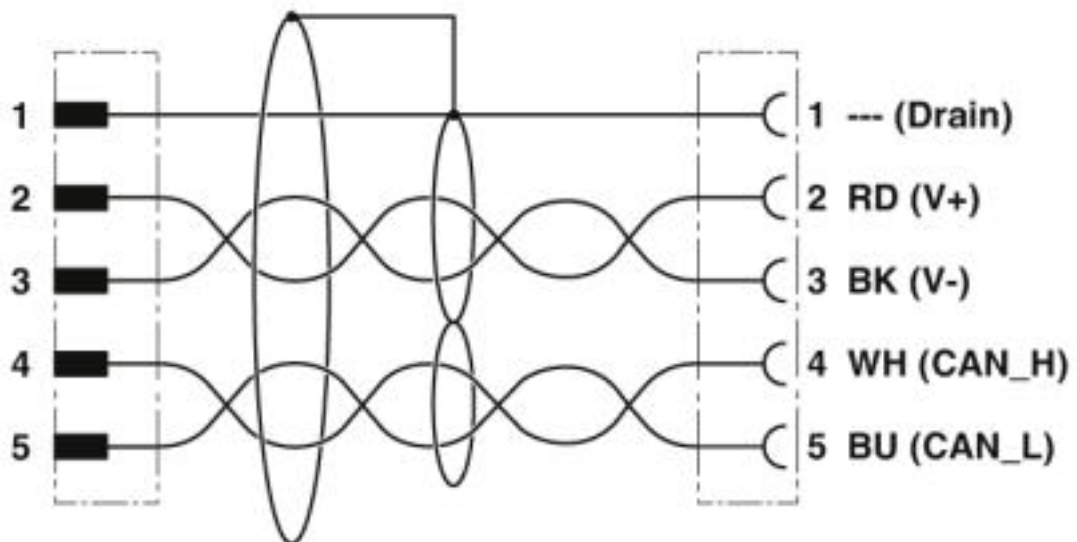
Bus system cable - SAC-5P-MS/ 0,5-924/FS SCO - 1405989

Dimensional drawing



M12 x 1 socket, straight

Circuit diagram



Contact assignment of the M12 plug and the M12 socket

Bus system cable - SAC-5P-MS/ 0,5-924/FS SCO - 1405989

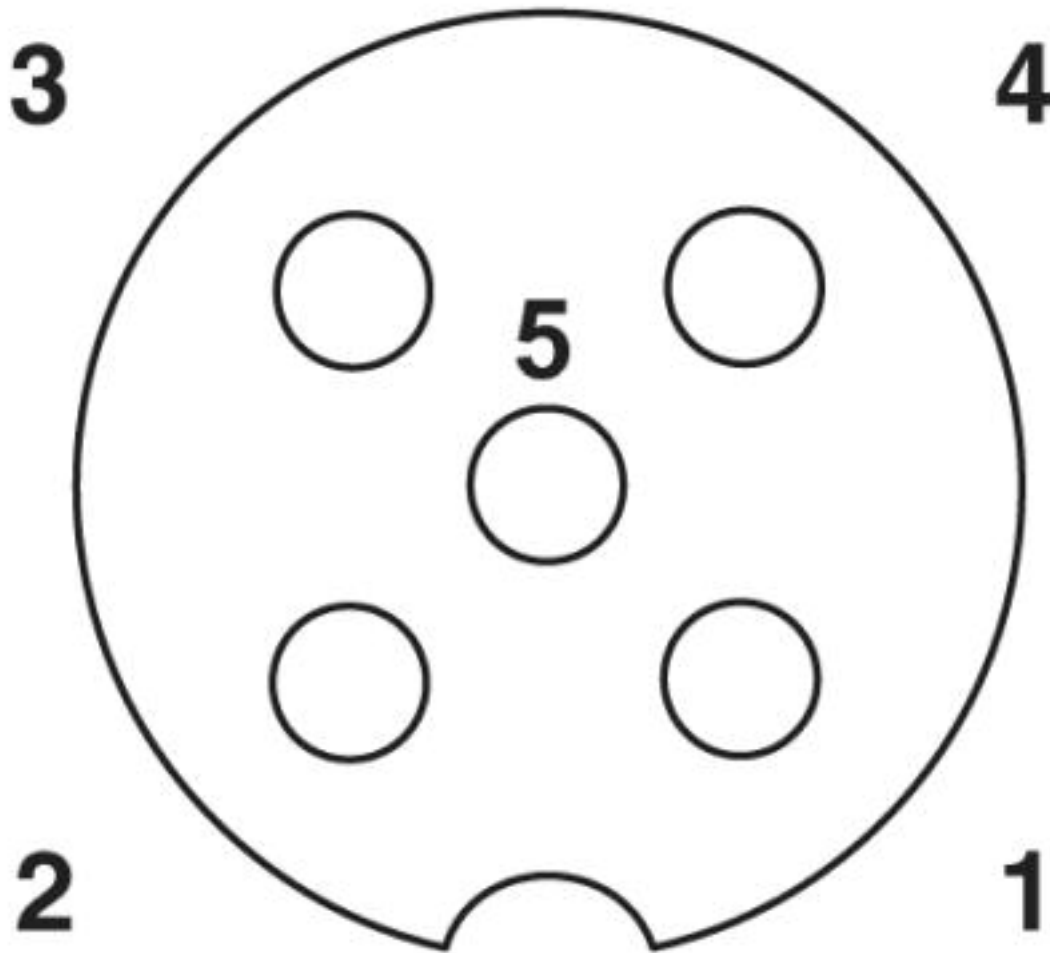
Schematic diagram



Pin assignment M12 male connector, 5-pos., A-coded, male side

Bus system cable - SAC-5P-MS/ 0,5-924/FS SCO - 1405989

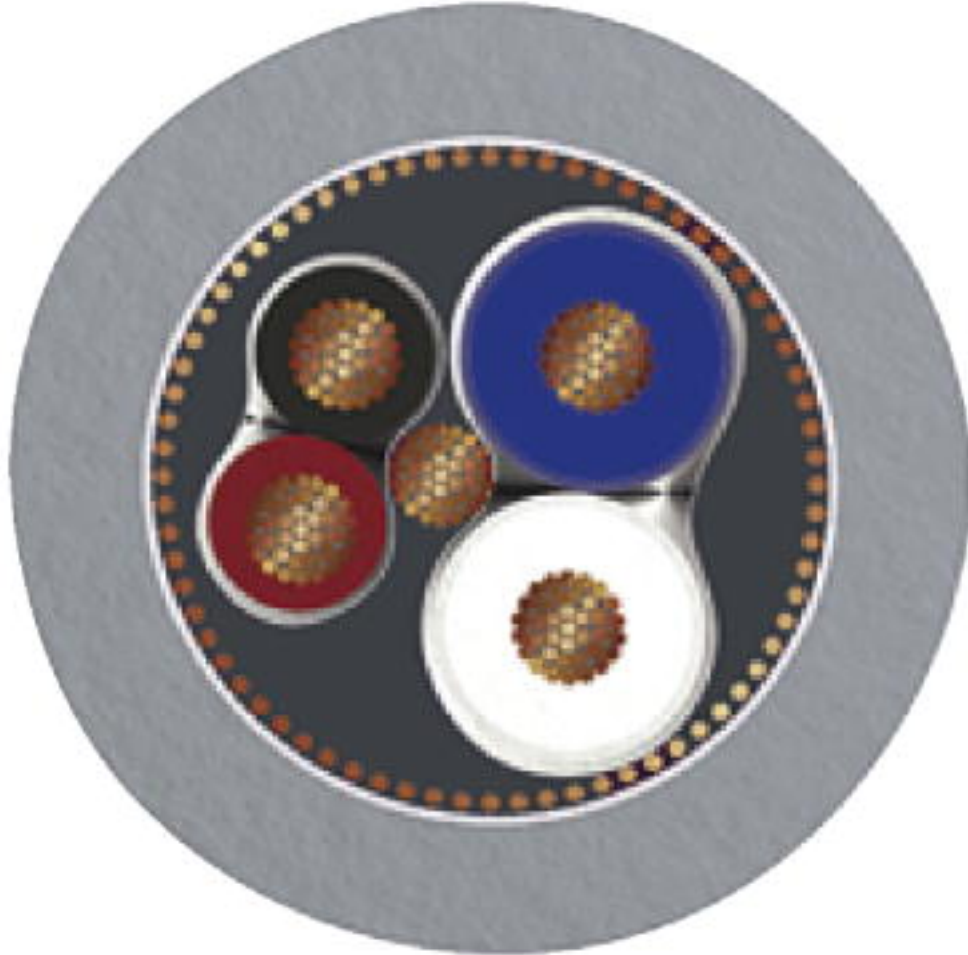
Schematic diagram



Pin assignment M12 socket, 5-pos., A-coded, socket side view

Bus system cable - SAC-5P-MS/ 0,5-924/FS SCO - 1405989

Cable cross section



CANopen[®]/DeviceNet[™], PVC, gray [924]

Classifications

eCl@ss

| | |
|---------------|----------|
| eCl@ss 10.0.1 | 27060308 |
| eCl@ss 4.0 | 27060300 |
| eCl@ss 4.1 | 27060300 |
| eCl@ss 5.0 | 27060300 |
| eCl@ss 5.1 | 27060300 |
| eCl@ss 6.0 | 27279200 |
| eCl@ss 7.0 | 27279218 |
| eCl@ss 8.0 | 27279218 |
| eCl@ss 9.0 | 27060308 |

Bus system cable - SAC-5P-MS/ 0,5-924/FS SCO - 1405989

Classifications

ETIM

| | |
|----------|----------|
| ETIM 3.0 | EC000830 |
| ETIM 4.0 | EC001855 |
| ETIM 5.0 | EC002599 |
| ETIM 6.0 | EC001855 |
| ETIM 7.0 | EC001855 |

UNSPSC

| | |
|---------------|----------|
| UNSPSC 6.01 | 26121616 |
| UNSPSC 7.0901 | 26121616 |
| UNSPSC 11 | 26121604 |
| UNSPSC 12.01 | 26121616 |
| UNSPSC 13.2 | 31251501 |
| UNSPSC 18.0 | 26121604 |
| UNSPSC 19.0 | 26121604 |
| UNSPSC 20.0 | 26121604 |
| UNSPSC 21.0 | 26121604 |

Approvals

Approvals

Approvals

UL Listed / cUL Listed / cULus Listed

Ex Approvals

Approval details

| | | | |
|--------------------|-------|---|---------------|
| UL Listed | | http://database.ul.com/cgi-bin/XYV/template/LISEXT/1FRAME/index.htm | FILE E 221474 |
| Nominal voltage UN | 125 V | | |
| Nominal current IN | 4 A | | |

| | | | |
|--------------------|-------|---|---------------|
| cUL Listed | | http://database.ul.com/cgi-bin/XYV/template/LISEXT/1FRAME/index.htm | FILE E 221474 |
| Nominal voltage UN | 125 V | | |

Bus system cable - SAC-5P-MS/ 0,5-924/FS SCO - 1405989

Approvals

| | |
|--------------------------------|-----|
| | |
| Nominal current I _N | 4 A |

| | |
|--------------|---|
| cULus Listed |  |
|--------------|---|

Phoenix Contact 2020 © - all rights reserved
<http://www.phoenixcontact.com>

PHOENIX CONTACT GmbH & Co. KG
Flachsmarktstr. 8
32825 Blomberg
Germany
Tel. +49 5235 300
Fax +49 5235 3 41200
<http://www.phoenixcontact.com>