

Panel mounting frames - VS-PPC-F1-RJ45-MNNA-1R-F - 1405358

Please be informed that the data shown in this PDF Document is generated from our Online Catalog. Please find the complete data in the user's documentation. Our General Terms of Use for Downloads are valid (<http://phoenixcontact.com/download>)



RJ45 panel mounting frame, IP67, for push-pull interlocking, metal, with the Freenet system, for square panel cutout, with grommet, without mounting screws



Key Commercial Data

Packing unit	1 pc
GTIN	
GTIN	4046356419949

Technical data

Mechanical characteristics

Weight	28.3 g
--------	--------

Ambient conditions

Ambient temperature (operation)	-40 °C ... 70 °C
---------------------------------	------------------

Material data

Housing material	Zinc die-cast
Housing surface material	Nickel-plated
Width	29.5 mm
Height	42 mm
Length	37 mm

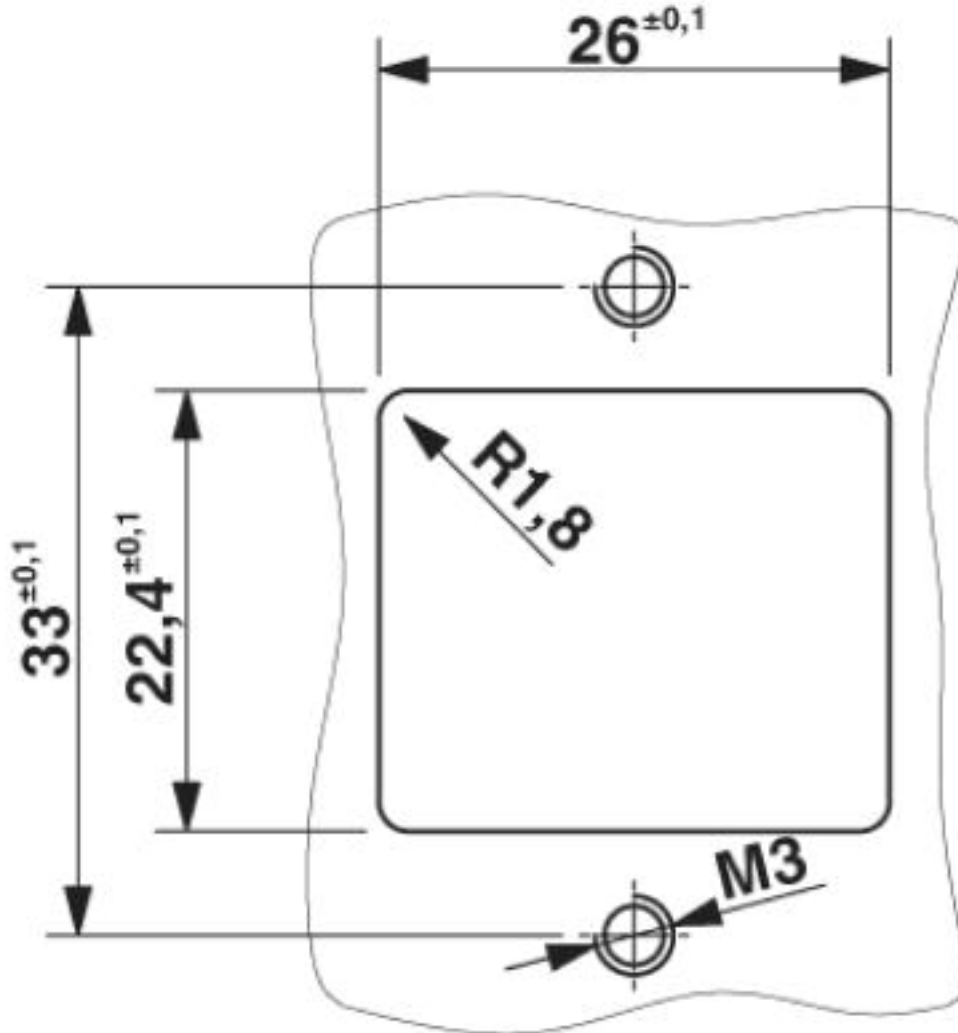
Standards and Regulations

Flammability rating according to UL 94	V0
--	----

Drawings

Panel mounting frames - VS-PPC-F1-RJ45-MNNA-1R-F - 1405358

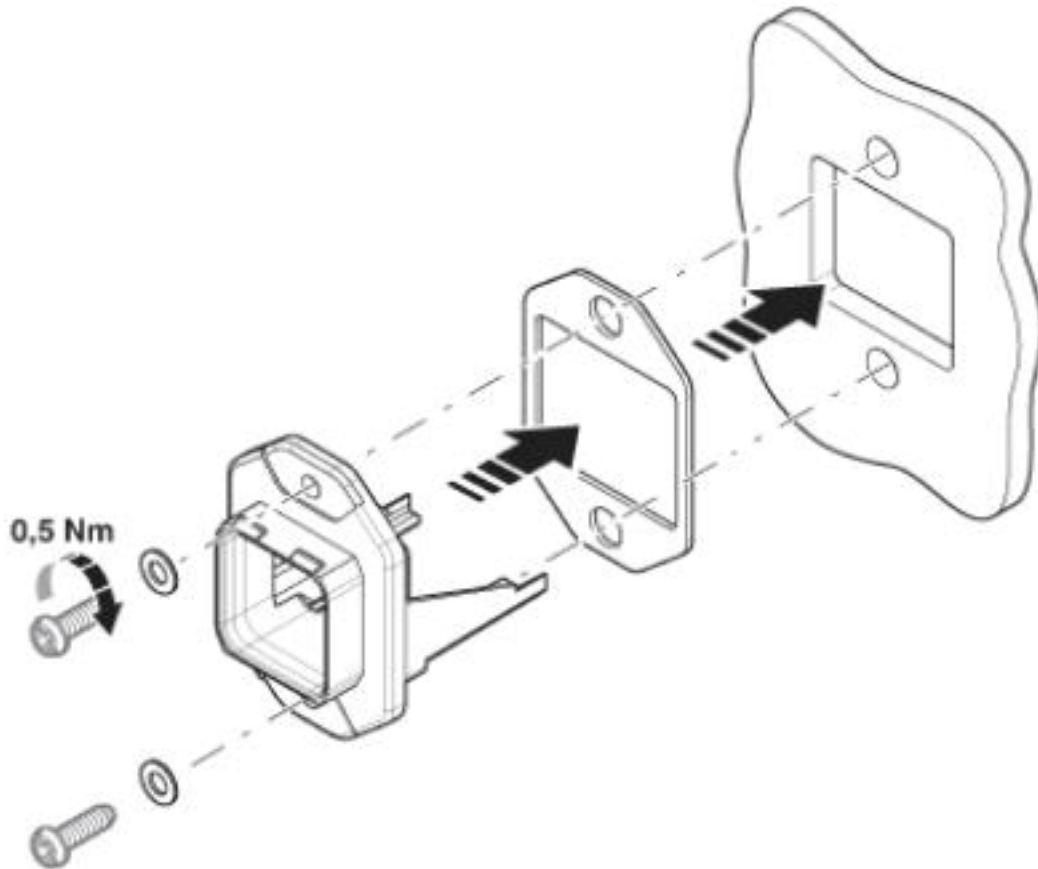
Dimensional drawing



Mounting cutout

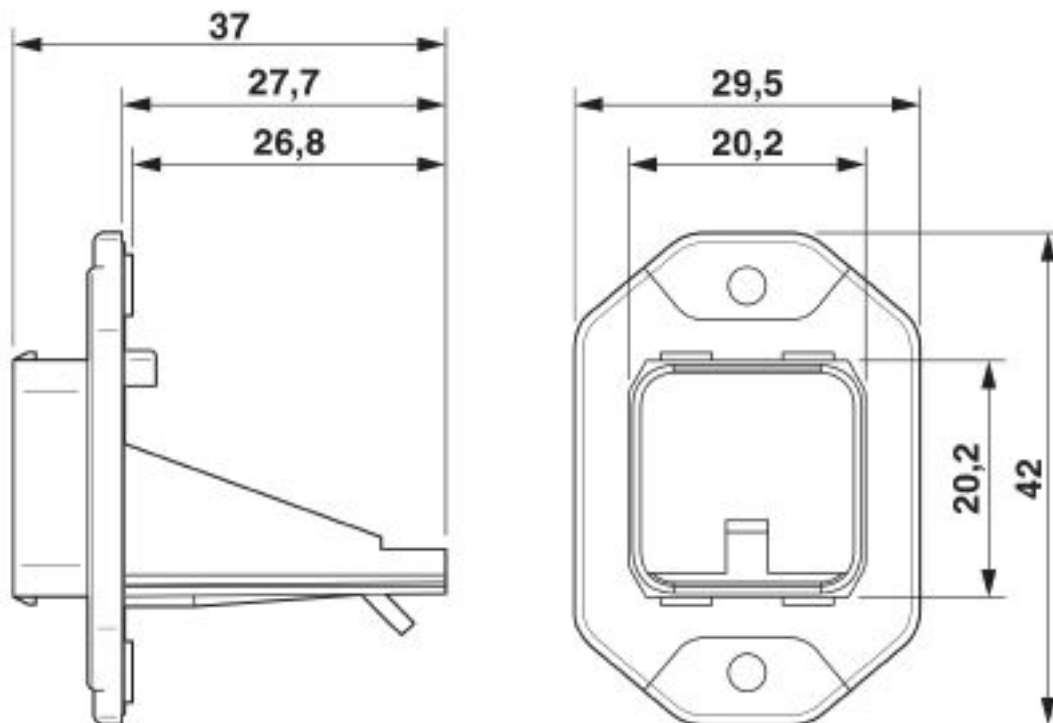
Panel mounting frames - VS-PPC-F1-RJ45-MNNA-1R-F - 1405358

Exploded view



Panel mounting frames - VS-PPC-F1-RJ45-MNNA-1R-F - 1405358

Dimensional drawing



Push-Pull panel mounting frame, Freenet system, IP67

Classifications

eCl@ss

eCl@ss 10.0.1	27440210
eCl@ss 4.0	27260700
eCl@ss 4.1	27260700
eCl@ss 5.0	27260700
eCl@ss 5.1	27260700
eCl@ss 6.0	27261200
eCl@ss 7.0	27440210
eCl@ss 8.0	27440210
eCl@ss 9.0	27440210

ETIM

ETIM 3.0	EC001121
ETIM 4.0	EC001121
ETIM 5.0	EC002310
ETIM 6.0	EC002310
ETIM 7.0	EC002310

Panel mounting frames - VS-PPC-F1-RJ45-MNNA-1R-F - 1405358

Classifications

UNSPSC

UNSPSC 6.01	31261501
UNSPSC 7.0901	31261501
UNSPSC 11	31261501
UNSPSC 12.01	31261501
UNSPSC 13.2	39121421
UNSPSC 18.0	39121421
UNSPSC 19.0	39121421
UNSPSC 20.0	39121421
UNSPSC 21.0	39121421

Approvals

Approvals

Approvals

EAC

Ex Approvals

Approval details

EAC		B.01742
-----	--	---------

Accessories

Accessories

Female insert

RJ45 coupling - CUC-F-D1ZNI-S/R4GCHP8 - 1086111



RJ45 coupling, degree of protection: IP20, number of positions: 8, 10 Gbps, CAT6_A, material: Zinc die-cast, connection method: 2x RJ45, Freenet design for use with IP67 panel mounting frame and terminal outlets

Panel mounting frames - VS-PPC-F1-RJ45-MNNA-1R-F - 1405358

Accessories

RJ45 socket insert - CUC-F-J1ZNI-S/R4IDC8 - 1418984



RJ45 socket insert, type: RJ45, degree of protection: IP20, number of positions: 8, 10 Gbps, CAT6_A, material: Zinc die-cast, connection method: IDC connection, connection cross section: AWG 26- 22, Freenet design for use with IP67 panel mounting frame and terminal outlets

Phoenix Contact 2020 © - all rights reserved
<http://www.phoenixcontact.com>

PHOENIX CONTACT GmbH & Co. KG
Flachsmarktstr. 8
32825 Blomberg
Germany
Tel. +49 5235 300
Fax +49 5235 3 41200
<http://www.phoenixcontact.com>