

Fiber optic coupling - VS-PPC-J-1-SCRJ-MNBK - 1405206

Please be informed that the data shown in this PDF Document is generated from our Online Catalog. Please find the complete data in the user's documentation. Our General Terms of Use for Downloads are valid (<http://phoenixcontact.com/download>)

SC-RJ push-pull coupling, IP67, metal, with protective cover, color: nickel-plated




SCRJ push-pull coupling



Ethernet

Key Commercial Data

Packing unit	1 pc
GTIN	 4 046356 332804
GTIN	4046356332804

Technical data

Mechanical characteristics

Connection method	Push-Pull
Insertion/withdrawal cycles	≥ 100
Cable outlet	straight
Weight	115.7 g

Ambient conditions

Ambient temperature (operation)	-40 °C ... 85 °C
Ambient temperature (assembly)	0 °C ... 50 °C
Ambient temperature (storage/transport)	-40 °C ... 85 °C

Material data

Housing material	Zinc die-cast
------------------	---------------

Electrical characteristics

Number of positions	2
Attenuation	0.2 dB (acc. to IEC 61300-3-4)

Standards and Regulations

Flame resistance	yes
------------------	-----

Fiber optic coupling - VS-PPC-J-1-SCRJ-MNBK - 1405206

Technical data

Standards and Regulations

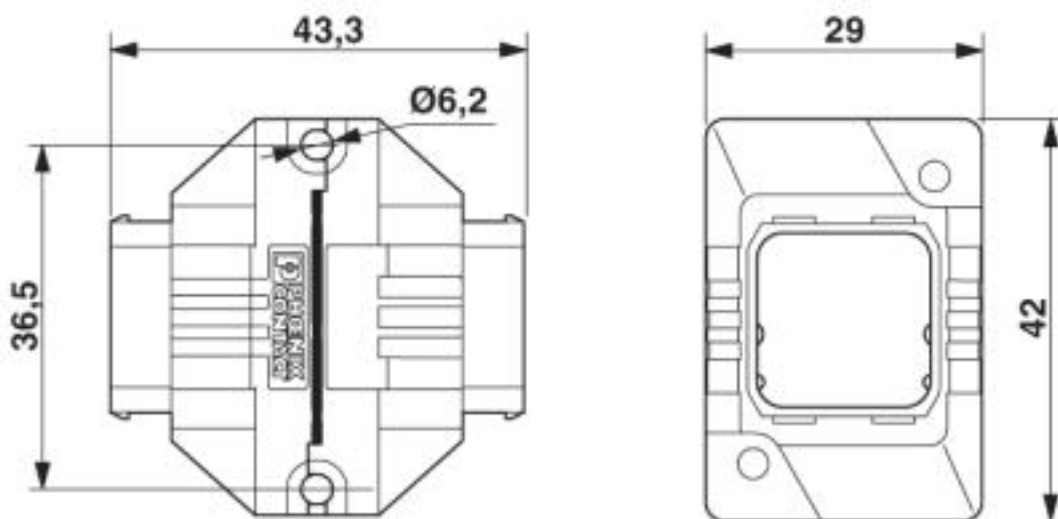
Resistance to oil	yes
-------------------	-----

Environmental Product Compliance

REACH SVHC	Lead 7439-92-1
China RoHS	Environmentally Friendly Use Period = 50 years
	For details about hazardous substances go to tab "Downloads", Category "Manufacturer's declaration"

Drawings

Dimensional drawing



SCRJ push-pull coupling

Classifications

eCl@ss

eCl@ss 10.0.1	19179290
eCl@ss 4.0	27260700
eCl@ss 4.1	27260700
eCl@ss 5.0	27260700
eCl@ss 5.1	27260700
eCl@ss 6.0	19179200
eCl@ss 7.0	19179290
eCl@ss 8.0	19179290
eCl@ss 9.0	19179290

ETIM

ETIM 3.0	EC001134
----------	----------

Fiber optic coupling - VS-PPC-J-1-SCRJ-MNBK - 1405206

Classifications

ETIM

ETIM 4.0	EC001134
ETIM 5.0	EC001134
ETIM 6.0	EC000310
ETIM 7.0	EC000310

UNSPSC

UNSPSC 6.01	31261501
UNSPSC 7.0901	31261501
UNSPSC 11	31261501
UNSPSC 12.01	31261501
UNSPSC 13.2	43222604
UNSPSC 18.0	43222604
UNSPSC 19.0	43222604
UNSPSC 20.0	43222604
UNSPSC 21.0	43222604

Approvals

Approvals

Approvals

UL Listed / EAC

Ex Approvals

Approval details

UL Listed		http://database.ul.com/cgi-bin/XYV/template/LISEXT/1FRAME/index.htm E308814-20070105
-----------	--	--

EAC		B.01742
-----	--	---------

Phoenix Contact 2020 © - all rights reserved
<http://www.phoenixcontact.com>

PHOENIX CONTACT GmbH & Co. KG
Flachmarktstr. 8
32825 Blomberg
Germany
Tel. +49 5235 300
Fax +49 5235 3 41200
<http://www.phoenixcontact.com>