

Y distributor - VS-PPC-J-1220-1227-1020-0,2 - 1404799

Please be informed that the data shown in this PDF Document is generated from our Online Catalog. Please find the complete data in the user's documentation. Our General Terms of Use for Downloads are valid (<http://phoenixcontact.com/download>)

PROFINET Y distributor with assembled power line, 5-pos., IP65/IP67, MSTB plug with metal housing on 2x socket in metal housing, cable length: 0.2 m



Y distributor with MSTB plug



Key Commercial Data

Packing unit	1 pc
GTIN	
GTIN	4046356321488

Technical data

Mechanical characteristics

Weight	398.2 g
--------	---------

Ambient conditions

Ambient temperature (operation)	-40 °C ... 70 °C (cable, fixed installation)
	-5 °C ... 70 °C (cable, flexible installation)
	Plug / socket
Degree of protection	IP65
	IP67

Material data

Housing material	Aluminum die-cast
------------------	-------------------

Electrical characteristics

Number of positions	5
Rated current	16 A
Rated voltage (III/3)	24 V

Standards and Regulations

Flammability rating according to UL 94	V0
--	----

Y distributor - VS-PPC-J-1220-1227-1020-0,2 - 1404799

Technical data

Line characteristics

Cable type	PVC gray
Conductor cross section	5x 2.5 mm ²
AWG power supply	14
Conductor structure, voltage supply	50x 0.25 mm
External cable diameter	11.8 mm
Wire colors	blue, brown, black, gray, green/yellow
External sheath, color	gray RAL 7001
Insulation resistance	> 0.2 MΩ*km
Nominal voltage, cable	750 V
	1000 V (Fixed, protected installation)
Test voltage, cable	4000 V
Overall twist	5 cores, twisted
Outer sheath, material	PVC
Material conductor insulation	PVC
Conductor material	Bare Cu litz wires
Cable weight	242 kg/km
Minimum bending radius, fixed installation	4 x D
Minimum bending radius, flexible installation	15 x D
cable layer type	Indoors
Flame resistance	according to IEC 60332-1-2
Ambient temperature (operation)	-40 °C ... 80 °C (cable, fixed installation)
	-5 °C ... 70 °C (cable, flexible installation)

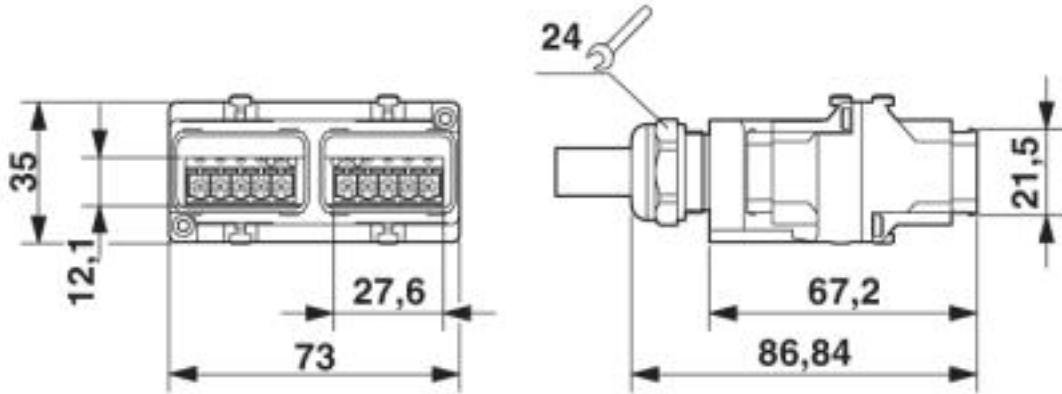
Environmental Product Compliance

REACH SVHC	Lead 7439-92-1
China RoHS	Environmentally Friendly Use Period = 50 years
	For details about hazardous substances go to tab "Downloads", Category "Manufacturer's declaration"

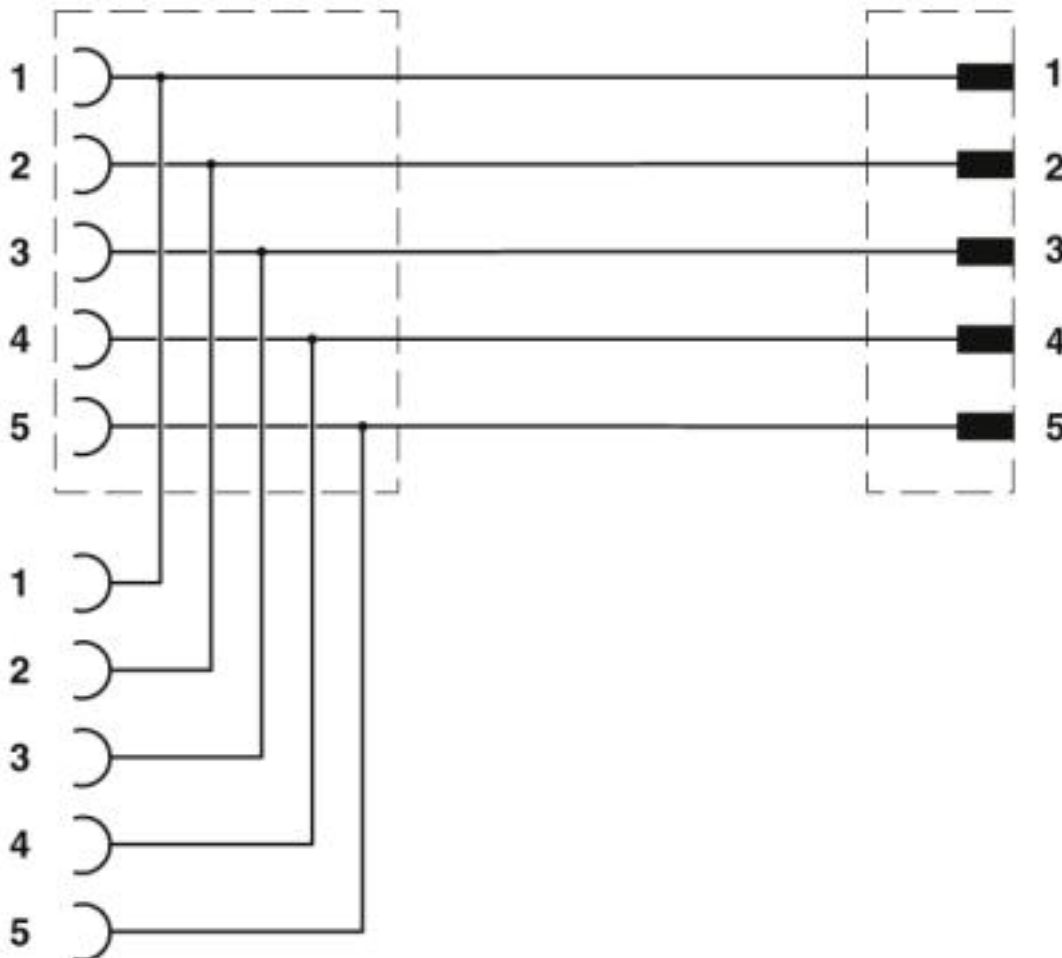
Drawings

Y distributor - VS-PPC-J-1220-1227-1020-0,2 - 1404799

Dimensional drawing



Circuit diagram



Y distributor - VS-PPC-J-1220-1227-1020-0,2 - 1404799

Classifications

eCl@ss

eCl@ss 10.0.1	27440108
eCl@ss 4.0	27260700
eCl@ss 4.1	27260700
eCl@ss 5.0	27260700
eCl@ss 5.1	27250300
eCl@ss 6.0	27279200
eCl@ss 7.0	27279219
eCl@ss 8.0	27279219
eCl@ss 9.0	27440108

ETIM

ETIM 3.0	EC000830
ETIM 4.0	EC002599
ETIM 5.0	EC002585
ETIM 6.0	EC002585
ETIM 7.0	EC002585

UNSPSC

UNSPSC 6.01	31261501
UNSPSC 7.0901	31261501
UNSPSC 11	31261501
UNSPSC 12.01	31261501
UNSPSC 13.2	31251501
UNSPSC 19.0	31251501
UNSPSC 20.0	31251501
UNSPSC 21.0	31251501

Approvals

Approvals

Approvals

EAC

Ex Approvals

Approval details

Y distributor - VS-PPC-J-1220-1227-1020-0,2 - 1404799

Approvals

EAC



B.01687

Phoenix Contact 2020 © - all rights reserved
<http://www.phoenixcontact.com>

PHOENIX CONTACT GmbH & Co. KG
Flachsmarktstr. 8
32825 Blomberg
Germany
Tel. +49 5235 300
Fax +49 5235 3 41200
<http://www.phoenixcontact.com>