

## Panel feed-through - SACC-E-M12FS-8CON-M16/1,0 - 1400492


Please be informed that the data shown in this PDF Document is generated from our Online Catalog. Please find the complete data in the user's documentation. Our General Terms of Use for Downloads are valid (<http://phoenixcontact.com/download>)



Sensor/actuator flush-type socket, 8-pos., M12, A-coded, front/screw mounting with M16 thread, with 1 m TPE litz wire, 8 x 0.25 mm<sup>2</sup>



### Key Commercial Data

Packing unit	1 pc
Minimum order quantity	50 pc
GTIN	 4 046356 497619
GTIN	4046356497619

### Technical data

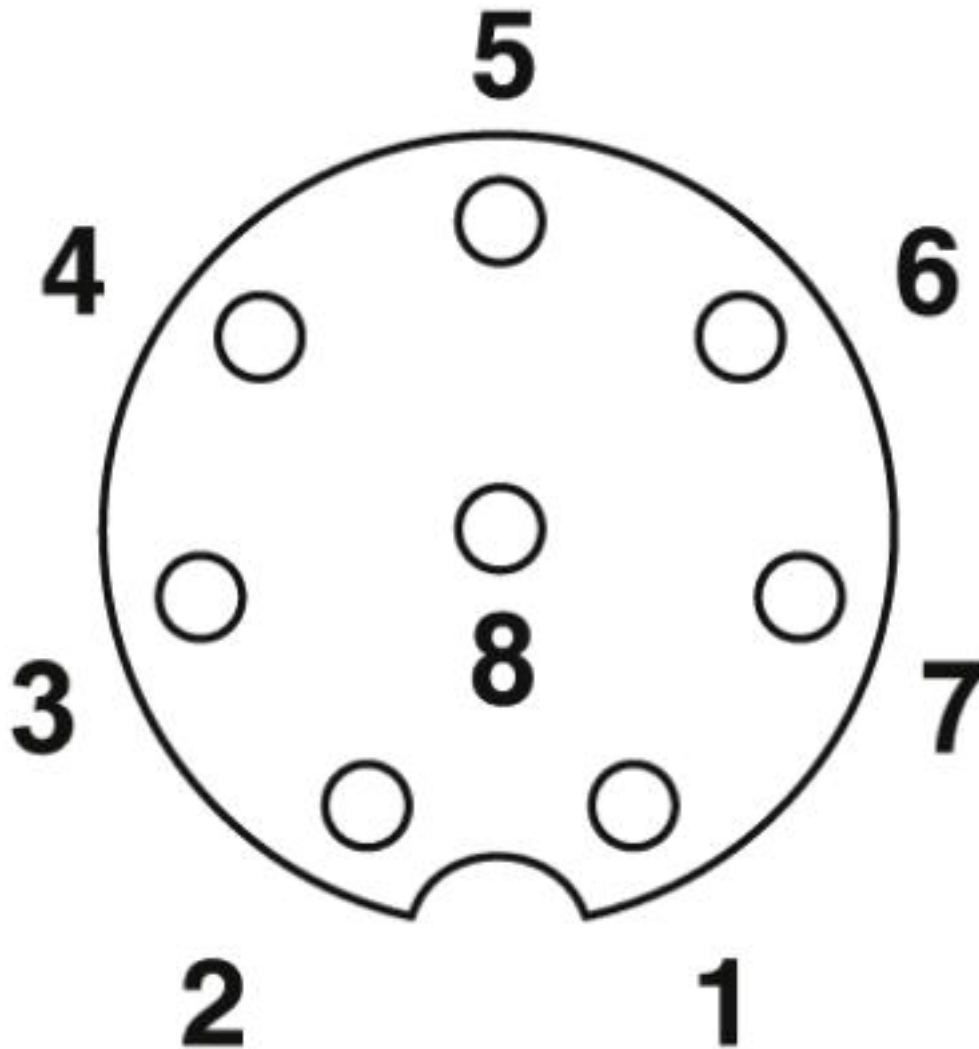
#### Environmental Product Compliance

REACH SVHC	Lead 7439-92-1
China RoHS	Environmentally Friendly Use Period = 50 years
	For details about hazardous substances go to tab "Downloads", Category "Manufacturer's declaration"

### Drawings

# Panel feed-through - SACC-E-M12FS-8CON-M16/1,0 - 1400492

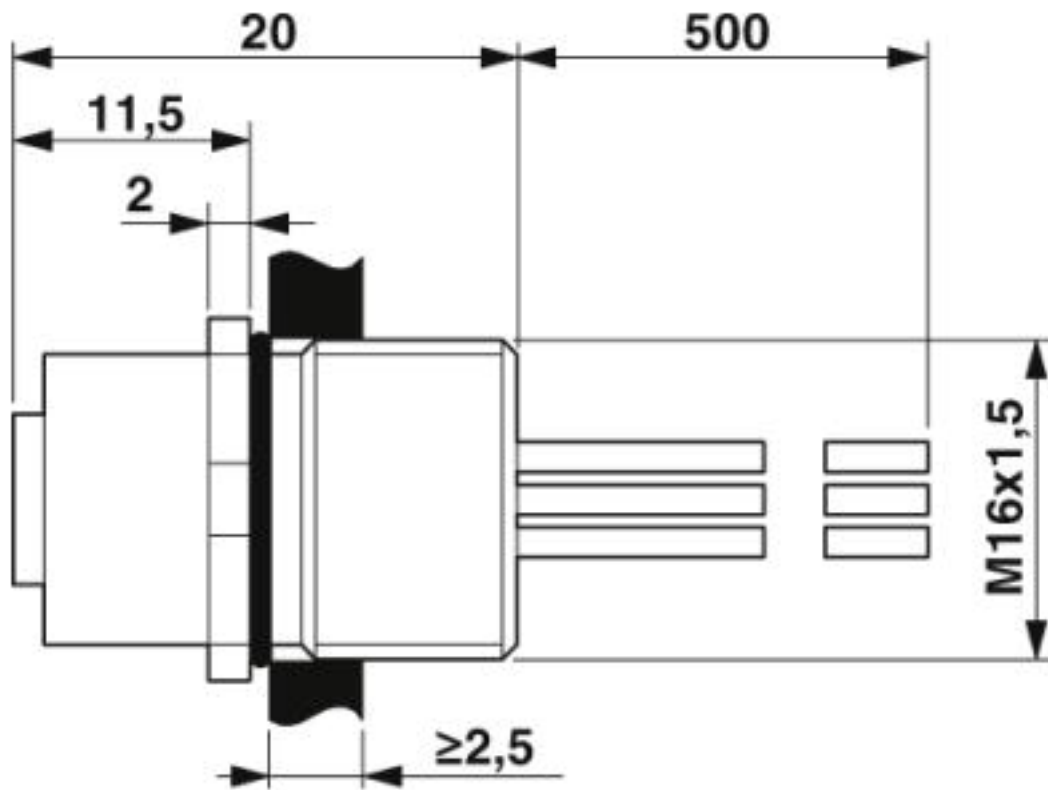
Schematic diagram



Pin assignment M12 socket, 8-pos., A-coded, view female side

# Panel feed-through - SACC-E-M12FS-8CON-M16/1,0 - 1400492

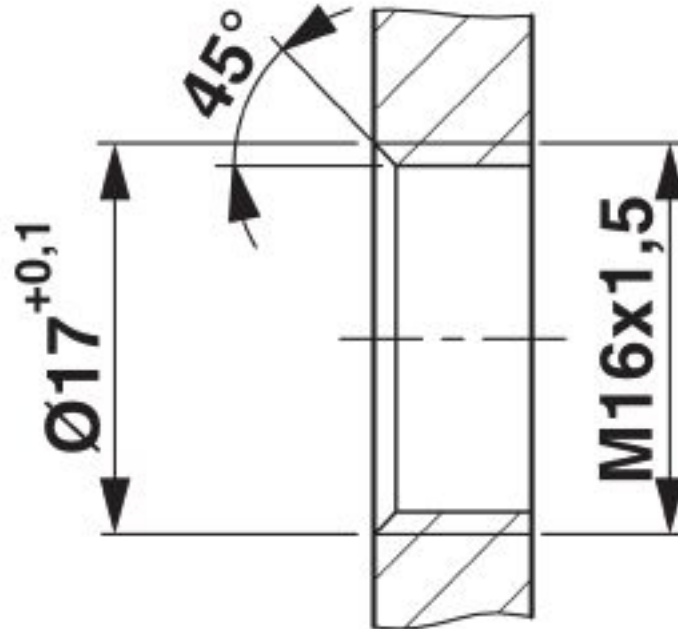
Dimensional drawing



M12 flush-type connector

## Panel feed-through - SACC-E-M12FS-8CON-M16/1,0 - 1400492

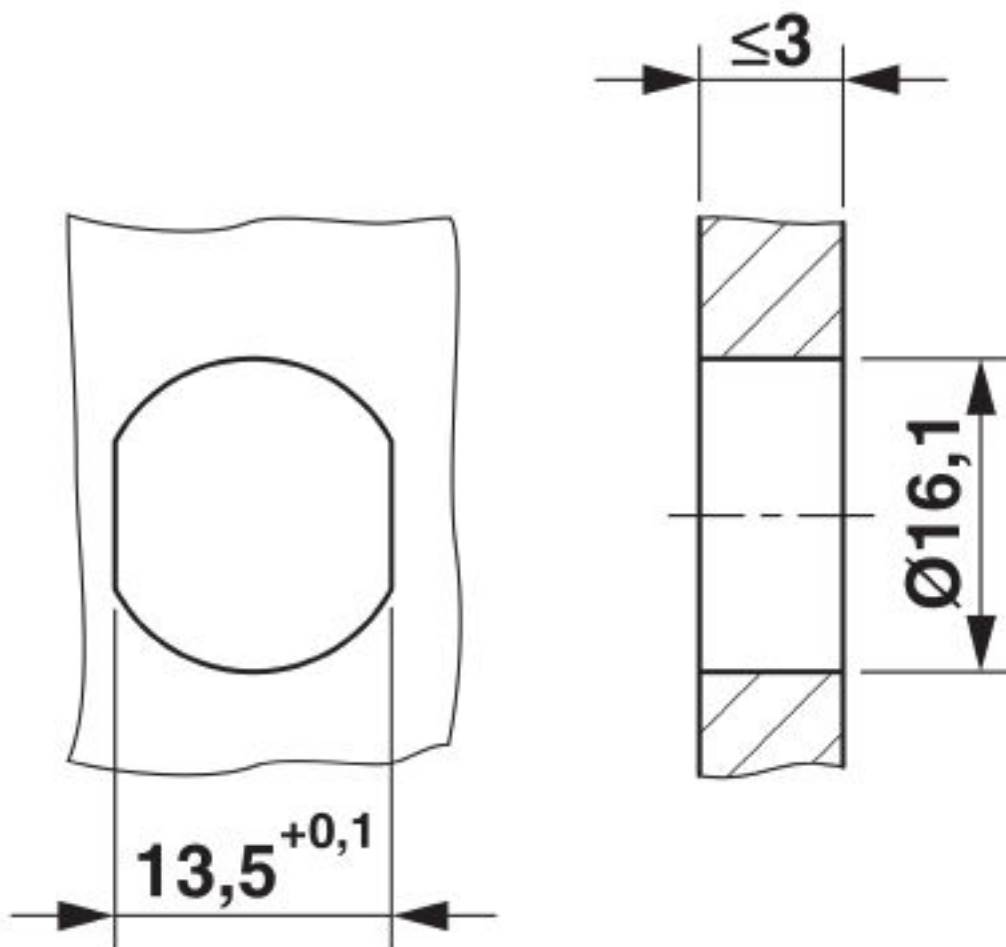
Dimensional drawing



Housing cutout for M16 fastening thread, mounting panel with thread

# Panel feed-through - SACC-E-M12FS-8CON-M16/1,0 - 1400492

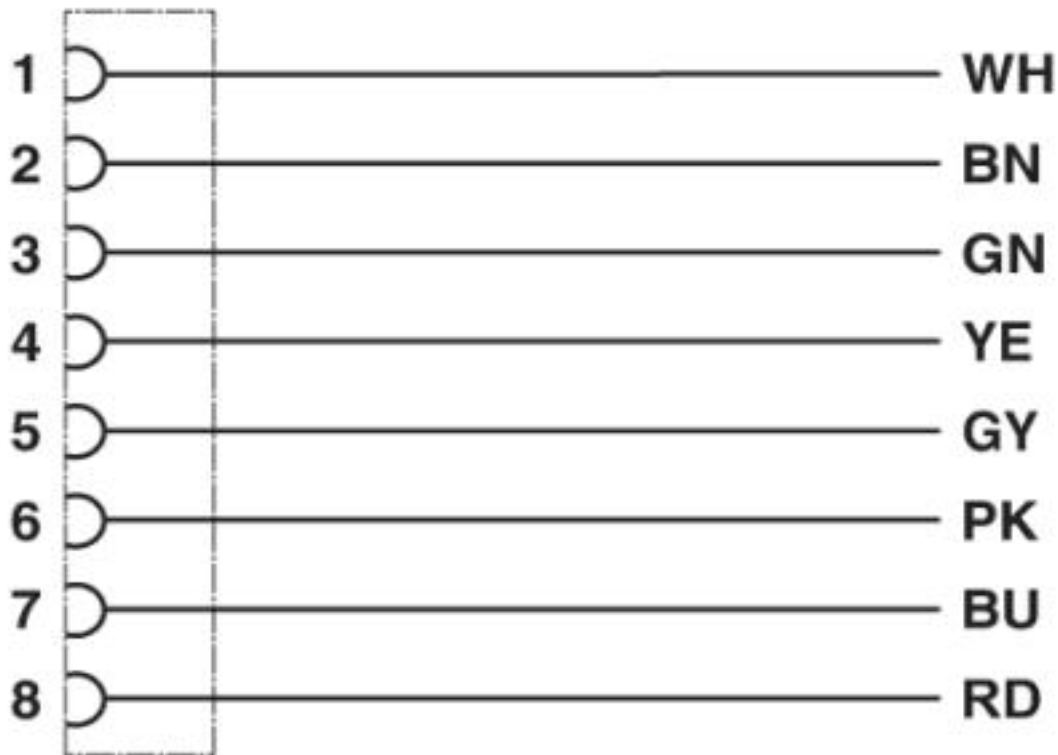
Dimensional drawing



Housing cutout for M16 fastening thread, mounting panel with feed-through hole (alternatively with surface as protection against rotation)

# Panel feed-through - SACC-E-M12FS-8CON-M16/1,0 - 1400492

Circuit diagram



Contact assignment of the M12 plug and the M12 socket

## Classifications

eCl@ss

eCl@ss 10.0.1	27440102
eCl@ss 4.0	27140800
eCl@ss 4.1	27140800
eCl@ss 5.0	27143400
eCl@ss 5.1	27143400
eCl@ss 6.0	27279200
eCl@ss 7.0	27440103
eCl@ss 8.0	27440103
eCl@ss 9.0	27440102

ETIM

ETIM 3.0	EC001855
ETIM 4.0	EC002061
ETIM 5.0	EC002061
ETIM 6.0	EC002061

# Panel feed-through - SACC-E-M12FS-8CON-M16/1,0 - 1400492

## Classifications

### UNSPSC

UNSPSC 6.01	31251501
UNSPSC 7.0901	31251501
UNSPSC 11	31251501
UNSPSC 12.01	31251501
UNSPSC 13.2	39121413
UNSPSC 18.0	39121413
UNSPSC 19.0	39121413
UNSPSC 20.0	39121413
UNSPSC 21.0	39121413

## Approvals


### Approvals

Approvals

UL Recognized / EAC

Ex Approvals

### Approval details

UL Recognized		<a href="http://database.ul.com/cgi-bin/XYV/template/LISEXT/1FRAME/index.htm">http://database.ul.com/cgi-bin/XYV/template/LISEXT/1FRAME/index.htm</a>	FILE E 118976
Nominal voltage UN	30 V		
Nominal current IN	2 A		
mm <sup>2</sup> /AWG/kcmil	24		

EAC		B.01687
-----	---	---------

## Accessories

Accessories

## Panel feed-through - SACC-E-M12FS-8CON-M16/1,0 - 1400492

### Accessories

Flat nut - SACC-E-MU-M16 - 1504097



Flat nut with M16 thread

---

Phoenix Contact 2020 © - all rights reserved  
<http://www.phoenixcontact.com>

PHOENIX CONTACT GmbH & Co. KG  
Flachsmarktstr. 8  
32825 Blomberg  
Germany  
Tel. +49 5235 300  
Fax +49 5235 3 41200  
<http://www.phoenixcontact.com>