

## Seal - VS-ASI-FC-SEAL-HP - 1400374


Please be informed that the data shown in this PDF Document is generated from our Online Catalog. Please find the complete data in the user's documentation. Our General Terms of Use for Downloads are valid (<http://phoenixcontact.com/download>)



End sealing for AS-Interface flat-ribbon conductor, can be used on both sides, IP67 degree of protection:



### Key Commercial Data

Packing unit	10 pc
GTIN	 4 046356 495080
GTIN	4046356495080

### Technical data

#### Dimensions

Length	36 mm
--------	-------

#### Ambient conditions

Degree of protection	IP67
----------------------	------

#### General

Torque	2 Nm
--------	------

#### Material

Sealing material	NBR
Additional material specifications	PA

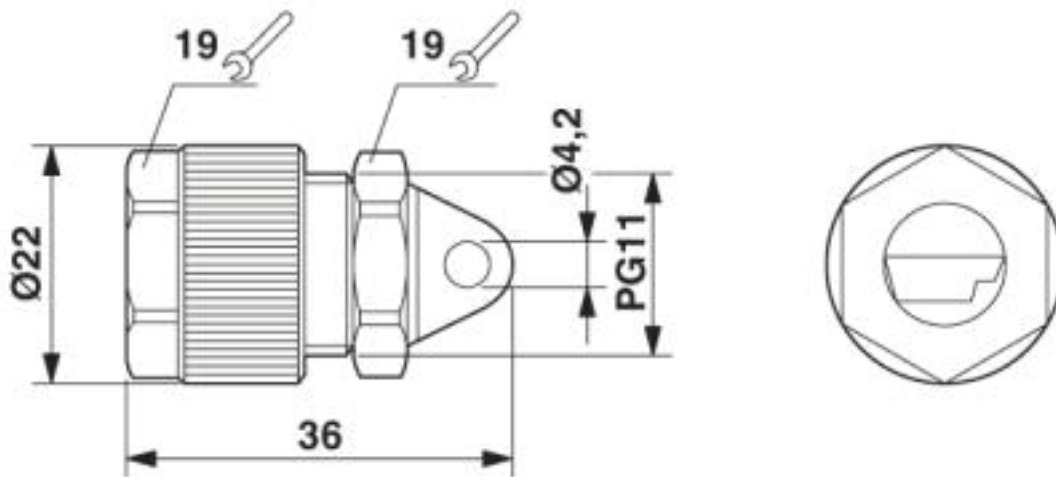
#### Environmental Product Compliance

China RoHS	Environmentally friendly use period: unlimited = EFUP-e
	No hazardous substances above threshold values

### Drawings

# Seal - VS-ASI-FC-SEAL-HP - 1400374

Dimensional drawing



## Classifications

eCl@ss

eCl@ss 10.0.1	27440192
eCl@ss 4.0	27260700
eCl@ss 4.1	27260700
eCl@ss 5.0	27260700
eCl@ss 5.1	27260700
eCl@ss 6.0	27260700
eCl@ss 7.0	27439218
eCl@ss 8.0	27439218
eCl@ss 9.0	27440192

ETIM

ETIM 3.0	EC001121
ETIM 4.0	EC001181
ETIM 5.0	EC001181
ETIM 6.0	EC001181
ETIM 7.0	EC001181

UNSPSC

UNSPSC 6.01	31261501
UNSPSC 7.0901	31261501
UNSPSC 11	31261501
UNSPSC 12.01	31261501
UNSPSC 13.2	39131608
UNSPSC 18.0	39121421
UNSPSC 19.0	39121421
UNSPSC 20.0	39121421

## Seal - VS-ASI-FC-SEAL-HP - 1400374

### Classifications

#### UNSPSC

UNSPSC 21.0	39121421
-------------	----------

Phoenix Contact 2020 © - all rights reserved  
<http://www.phoenixcontact.com>

PHOENIX CONTACT GmbH & Co. KG  
Flachsmarktstr. 8  
32825 Blomberg  
Germany  
Tel. +49 5235 300  
Fax +49 5235 3 41200  
<http://www.phoenixcontact.com>