

# Philips screwdriver - SF-PH 1-80 S-VDE - 1212693

Please be informed that the data shown in this PDF Document is generated from our Online Catalog. Please find the complete data in the user's documentation. Our General Terms of Use for Downloads are valid (<http://phoenixcontact.com/download>)




Screwdriver, crosshead PH (lasered), insulated, size: PH 1 x 80, 2-component handle, with non-slip grip

## Your advantages

- VDE approval
- Screwdrivers for Phillips screws with Pozidriv and Phillips Recess screw head

## Key Commercial Data

Packing unit	10 pc
GTIN	 4 046356 716161
GTIN	4046356716161

## Technical data

### Dimensions

Length (b)	178 mm
Width (a)	33 mm
Blade width	4.5 mm
Blade height	80 mm
Wrench size	0 mm

### General

Type	Phillips
Material	alloyed tool steel

### Environmental Product Compliance

California Proposition 65	Further information on California's prop. 65 is available under "Downloads" in the manufacturer's declaration
---------------------------	---

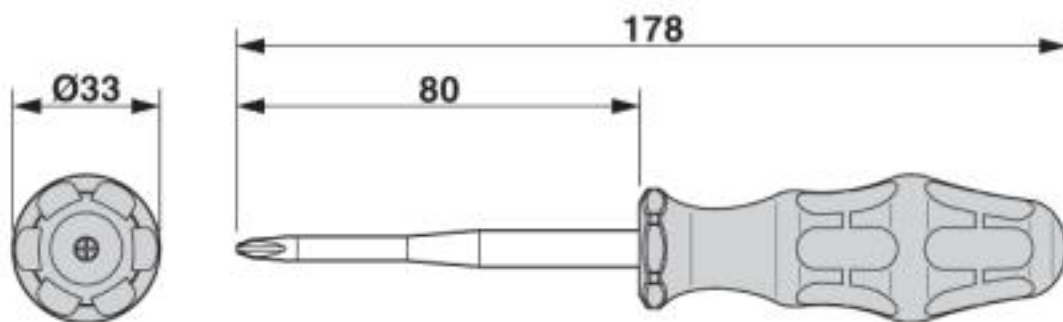
## Drawings

# Philips screwdriver - SF-PH 1-80 S-VDE - 1212693

Pictogram



Dimensional drawing



# Philips screwdriver - SF-PH 1-80 S-VDE - 1212693

## Classifications

### eCl@ss

eCl@ss 10.0.1	21040406
eCl@ss 4.0	21040400
eCl@ss 4.1	21040400
eCl@ss 5.0	21040400
eCl@ss 5.1	21040400
eCl@ss 6.0	21040400
eCl@ss 7.0	21040406
eCl@ss 8.0	21040406
eCl@ss 9.0	21040406

### ETIM

ETIM 3.0	EC000158
ETIM 4.0	EC000144
ETIM 5.0	EC000144
ETIM 6.0	EC000144
ETIM 7.0	EC000144

### UNSPSC

UNSPSC 6.01	27111701
UNSPSC 7.0901	27111701
UNSPSC 11	27111701
UNSPSC 12.01	27111701
UNSPSC 13.2	27111701
UNSPSC 18.0	27111701
UNSPSC 19.0	27111701
UNSPSC 20.0	27111701
UNSPSC 21.0	27111701

## Approvals

### Approvals

---

Approvals

VDE Zeichengenehmigung / EAC

---


Ex Approvals

---

### Approval details

## Philips screwdriver - SF-PH 1-80 S-VDE - 1212693

### Approvals

VDE Zeichengenehmigung		<a href="http://www2.vde.com/de/Institut/Online-Service/VDE-gepruefteProdukte/Seiten/Online-Suche.aspx">http://www2.vde.com/de/Institut/Online-Service/VDE-gepruefteProdukte/Seiten/Online-Suche.aspx</a>	40032921
------------------------	---	---	----------

EAC			RU C- DE.AI30.B.01750
-----	---	--	--------------------------

Phoenix Contact 2020 © - all rights reserved  
<http://www.phoenixcontact.com>

PHOENIX CONTACT GmbH & Co. KG  
Flachmarktstr. 8  
32825 Blomberg  
Germany  
Tel. +49 5235 300  
Fax +49 5235 3 41200  
<http://www.phoenixcontact.com>