



5W USB Interchangeable Plug* Adapter



*Plugs sold separately

Features

- USB Socket
- Field Changeable AC Plugs
- Ecodesign ErP Directive 2009/125/EC level 2 annex 1b Compliant
- Low Leakage Current
- UL 94 V0 Flammability
- DOE Level VI Compliance
- ROHS Compliant

Applications

- Wireless Communications
- Peripherals
- Portable Equipment
- Networking

Safety Approvals

- cUL/UL 60950-1
- cUL/UL 62368-1
- AS/NZ 60950-1
- CE
- IEC60950-1
- IEC62368-1

Mechanical Characteristics

- Length: 76.1mm (2.99in)
- Width: 35.6mm (1.4in)
- Height: 30.8mm (1.21in)

Output Specifications

| Model | DC Output Voltage | Load | | Ripple ⁽¹⁾ P-P (max.) | Regulation Line & Load |
|------------------|-------------------|------|------|----------------------------------|------------------------|
| | | Min. | Max. | | |
| PSAI05R-050QL6-R | 5V | 0A | 1A | 200mV | ±5% |

Notes:

1. Measured by using a 12-inch twisted pair terminal with a 10uF EC capacitor and a 0.1uF ceramic in parallel, measured at max load

INPUT:

AC Input Voltage Rating
100 to 240V AC

AC Input Voltage Range
90 to 264V AC

AC Input Frequency
47 to 63Hz

Input Current
0.3A (RMS) max for 115Vac/max load
0.15A (RMS) max for 230Vac/max load

Leakage Current
0.02mA max for 240V AC, 50Hz

Inrush Current
45A max at 240V AC
(Cold start at ambient 25°C)

OUTPUT:

Output Power
5W

Efficiency²
DOE Level VI
ErP 2009/125/EC (EU 2019/1782)

ENVIRONMENTAL:

Temperature
Operation 0 to +50°C
Non-operation -40 to +85°C
Relative Humidity 90% RH Max

Emissions
Complies with FCC Class B
Complies with EN55022 Class B
AS / NZS 3548

Immunity

ESD: EN50082-1: EN 61000-4-2, Level 4
Air discharge ± 15KV
Contact ± 8KV

Surge: EN 61000-4-5, Level 2 1KV
RS : EN61000-4-3, Criteria A
CS : EN61000-4-6, Criteria A
Voltage Dips : EN61000-4-11, Criteria A

Over-Voltage Protection

7.2V DC maximum

Over-Current Protection

5A maximum

Short-Circuit Protection

The output can be shorted permanently without damage whenever it operates within input voltage range and temperature range specified in this specification. Output current not exceed 950mA(RMS).

Dielectric Withstand (Hi-pot) Test

Pri. to Sec. 3000VAC 10mA for 1 Minute

DC Output Connector

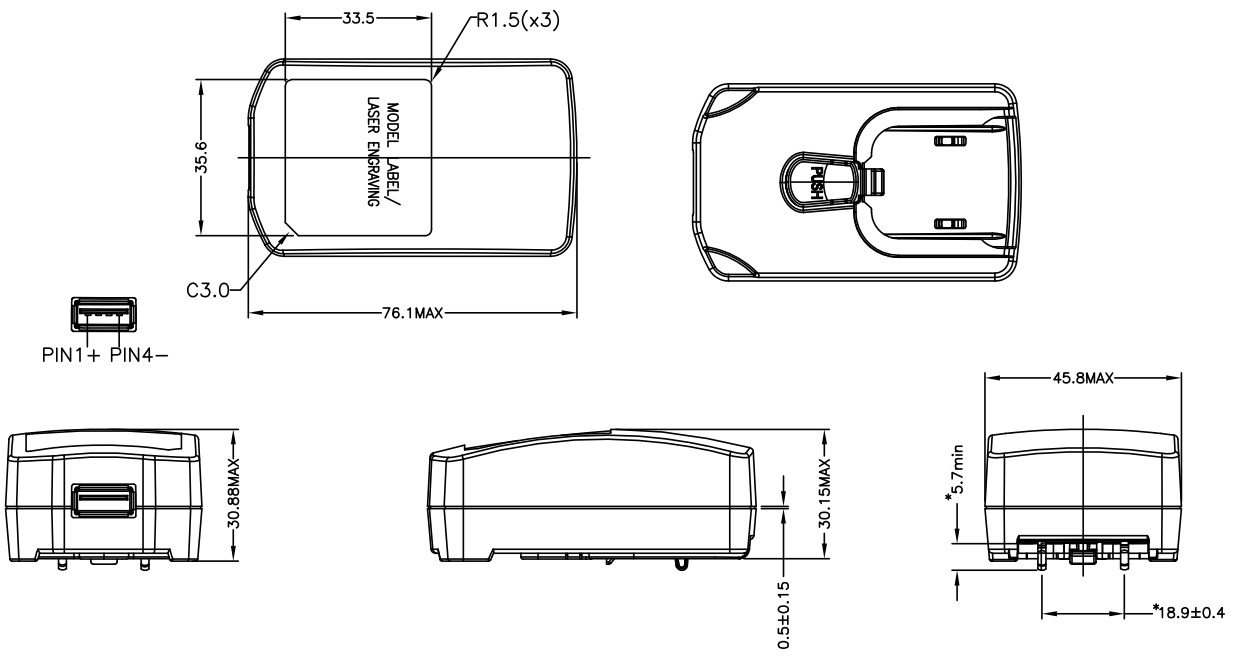
USB Type A

AC Input Clips (sold separately)

RPA – US
RPB – Brazil
RPC – China
RPE – Europe
RPH – Korea
RPI – India
RPK – UK
RPN – Argentina
RPS – Australia
RPX – IEC320 C8

Notes:

1. The characteristics defined are at ambient temperature of 25°C unless otherwise specified
2. Efficiency is measured after 30 minutes burn-in



**Supplier's Declaration of Conformity
47 CFR § 2.1077 Compliance Information**

PSAI05R-050QL6-R

Phihong USA Corporation
47800 Fremont Boulevard
Fremont, CA 94538
Telephone: (510) 445-0100
www.phihong.com

NOTE: This model has/The models in this products series have been tested and found to comply with the limits for a Class B digital device, pursuant to part 15 of the FCC Rules. These limits are designed to provide reasonable protection against harmful interference in a residential installation. This equipment generates, uses and can radiate radio frequency energy and, if not installed and used in accordance with the instructions, may cause harmful interference to radio communications. However, there is no guarantee that interference will not occur in a particular installation. If this equipment does cause harmful interference to radio or television reception, which can be determined by turning the equipment off and on, the user is encouraged to try to correct the interference by one or more of the following measures:

- Reorient or relocate the receiving antenna.
- Increase the separation between the equipment and receiver.
- Connect the equipment into an outlet on a circuit different from that to which the receiver is connected.
- Consult the dealer or an experienced radio/TV technician for help.

Changes or modifications to equipment not expressly approved by PHIHONG could void the user's authority to operate the equipment.