



20-30W Universal 3-Wire Input Desktop Adapter



Features

- Low Cost
- DoE Level VI Efficiency
- Ecodesign ErP Directive 2009/125/EC level 2 annex 1b compliant
- Non-Vented Case
- Class B EMI
- Low Profile Design

Applications

- Portable Equipment
- Peripherals
- Networking
- Gaming Machines

Safety Approvals

- UL/cUL 60950-1
- UL/cUL 62368-1
- IEC60950-1
- IEC62368-1
- CE

Mechanical Characteristics

- Length: 103.4mm (4.07in.)
- Width: 42mm (1.65in.)
- Height: 28.7mm (1.13in.)
- Weight: 140g (4.94oz)

Output Specifications

Model	DC Output Voltage	Load		Ripple ¹	Output Power
		Min.	Max.		
PSAC30U-050L6-R	5V	0A	4.00A	70mV	20W
PSAC30U-090L6-R	9V	0A	3.00A	90mV	27W
PSAC30U-120L6-R	12V	0A	2.50A	120mV	30W
PSAC30U-240L6-R	24V	0A	1.25A	240mV	30W
PSAC30U-480L6-R	48V	0A	0.625A	480mV	30W
PSAC30U-560L6-R	56V	0A	0.54A	560mV	30W

Notes:

1. Measured with by-pass capacitors 0.1uF//10uf at output connector terminal and oscilloscope set at 20MHz.

INPUT:**AC Input Voltage Rating**

100 to 240VAC

AC Input Voltage Range

90 to 264VAC

AC Input Current

0.8A (RMS) max at 120VAC

0.5A (RMS) max at 240VAC

In-rush Current

60A max at 100VAC & max load

100A max at 240VAC & max load

AC Input Frequency

47 to 63Hz

Leakage Current

3.5mA max at 254VAC, 50Hz

Input Power Saving

<0.1W max @0A 23Vac 50Hz

OUTPUT**Efficiency²**

DOE Level VI

ENVIRONMENTAL:

Operating Temperature 0 to 40°C

Storage Temperature -20 to 75°C

Operating Humidity 20 to 90%

EMI

Complies with FCC Class B

Complies with EN55032 Class B

Immunity

EN61000-4-2 Level 4

EN61000-4-3 Level 2

EN61000-4-4 Level 2

EN61000-4-5 Level 3

EN61000-4-6 Level 2

EN61000-4-8 Level 1

EN61000-4-11

High-pot Test

Input to output: 3000VAC, 10mA for 1 minute

Input to F.G.: 1500VAC, 10mA for 1 minute

Insulation Resistance

Input to Output: >7M ohm 500VDC

Input to F.G.: >7M ohm 500VDC

Over Current Protection

Auto restart mode without damage

Over Voltage Protection

10V max

Short Circuit Protection

Output can be shorted permanently without damage

AC Input Connector

IEC C14

DC Output Connector

5.5 x 2.1 x 10mm Center Positive Barrel

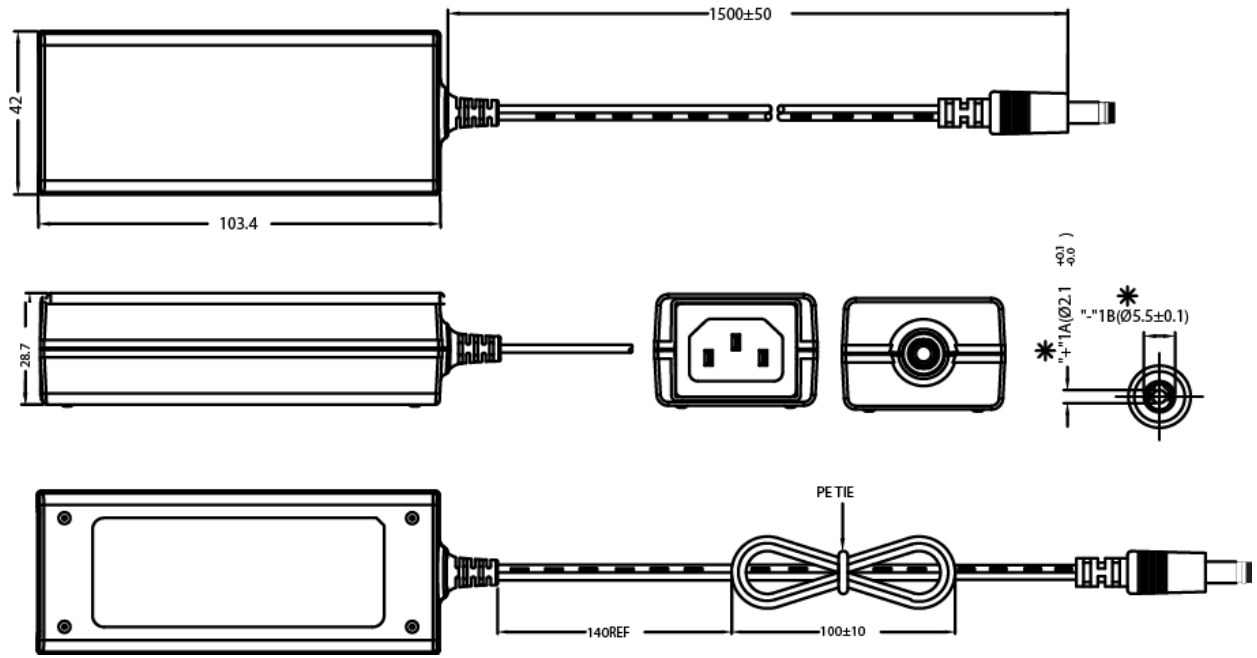
DC Cord Length

5V Model is 1000mm; all other models are 1500mm

Notes:

1. The characteristics defined are at ambient temperature of 25°C unless otherwise specified
2. Efficiency is measured after 30 minutes burn-in

Dimension Diagram Unit: mm



Accessories – Sold Separately

AC30UNA-R – Three Wire Power Cord for North America



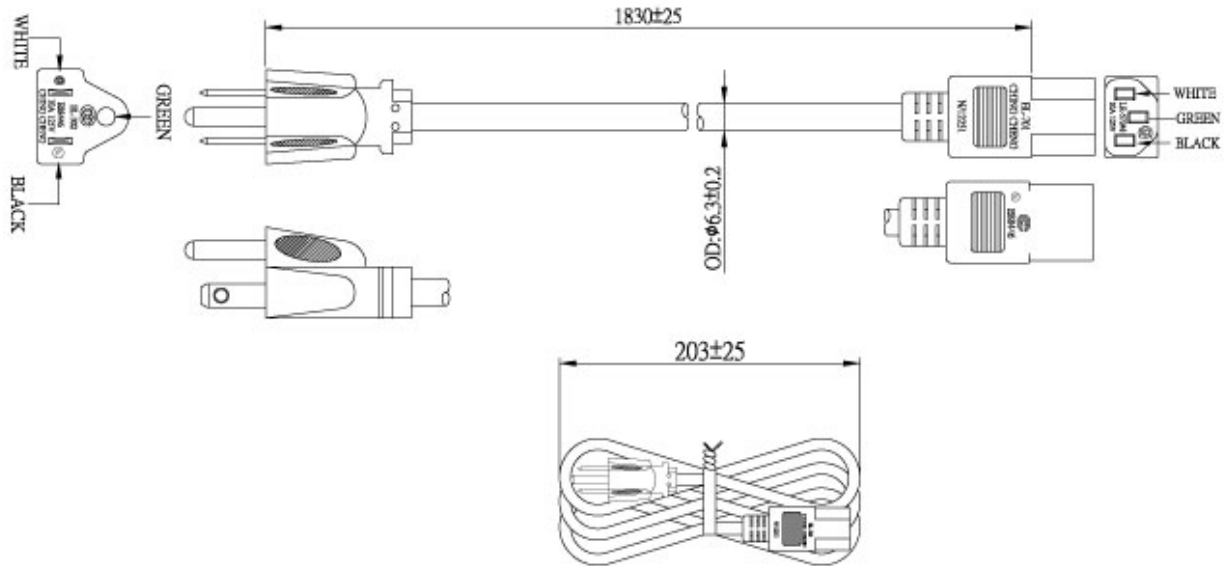
Specifications

- Plug Type: NEMA 5-15P
- Wire Size 18AWG
- Amperage Rating: 10A
- Connector: IEC320 C13
- Temperature: 60°C
- Voltage Rating: 125V

Safety Approvals

- CSA
- UL

Dimension Diagram Unit: mm



AC30UEU – Three Wire Power Cord for Continental Europe



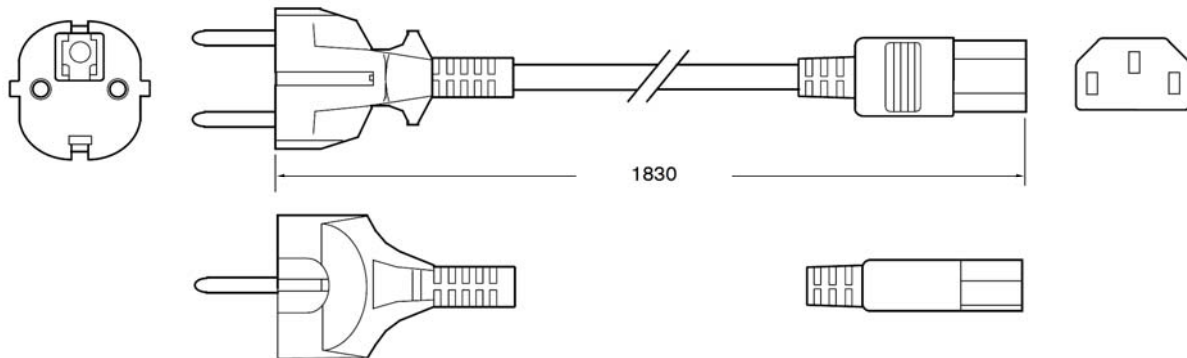
Specifications

- Plug Type: CEE 7VII
- Wire Size 0.75mm²
- Amperage Rating: 6A
- Connector: IEC320 C13
- Temperature: 70°C
- Voltage Rating: 250V

Safety Approvals

- CE
- D
- DVE
- GOST
- KEMA
- NF
- SEMKO
- DEMKO
- FIMKO
- IMQ
- NEMKO
- ÖVE

Dimension Diagram Unit: mm



AC30UUK – Three Wire Power Cord for United Kingdom



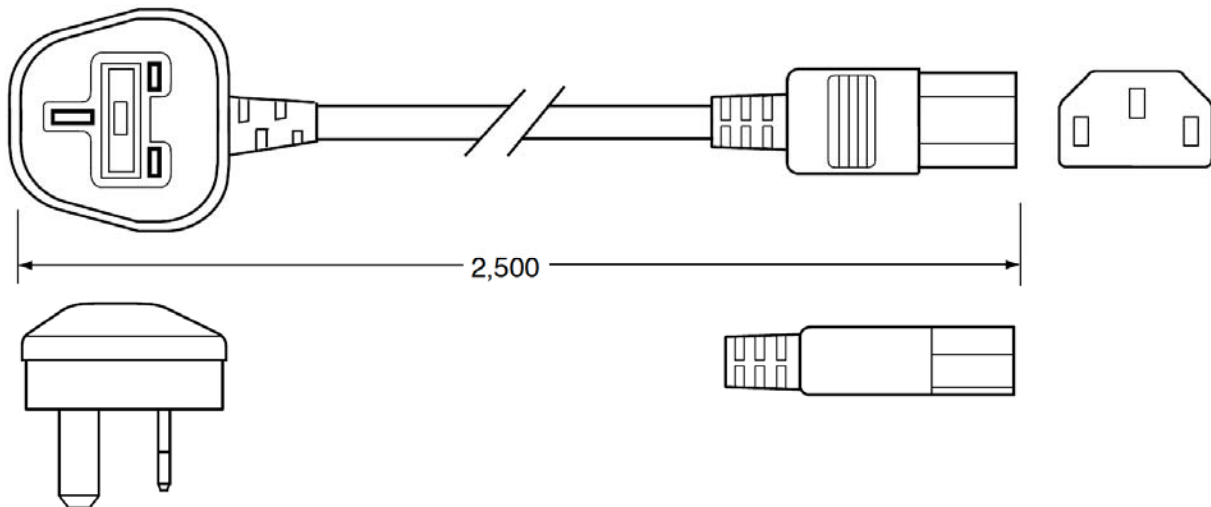
Specifications

- Plug Type: BS 1363
- Wire Size 1.0mm²
- Amperage Rating: 10A
- Connector: IEC320 C713
- Temperature: 70°C
- Voltage Rating: 250V

Safety Approvals

- BSI
- Safety Mark

Dimension Diagram Unit: mm



Accessories – Sold Separately

AC30UNA-R – Three Wire Power Cord for North America



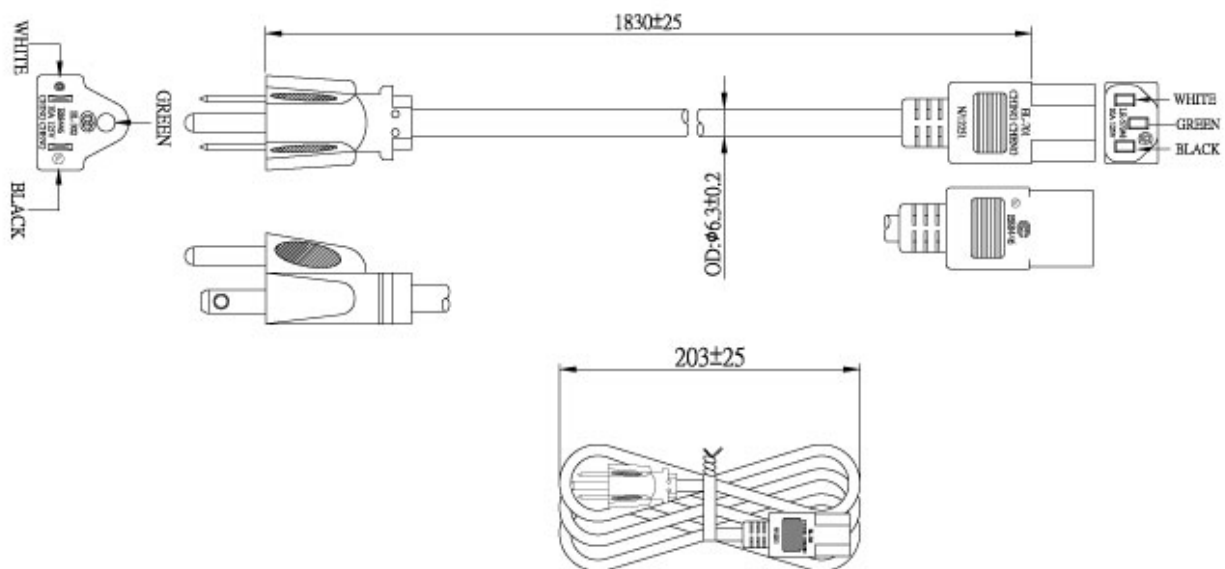
Specifications

- Plug Type: NEMA 5-15P
- Wire Size 18AWG
- Amperage Rating: 10A
- Connector: IEC320 C13
- Temperature: 60°C
- Voltage Rating: 125V

Safety Approvals

- CSA
- UL

Dimension Diagram Unit: mm



AC30UEU – Three Wire Power Cord for Continental Europe



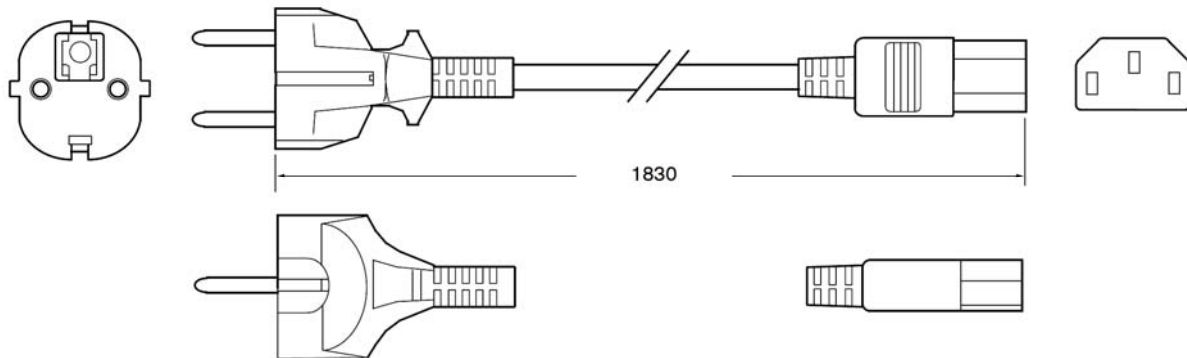
Specifications

- Plug Type: CEE 7VII
- Wire Size 0.75mm²
- Amperage Rating: 6A
- Connector: IEC320 C13
- Temperature: 70°C
- Voltage Rating: 250V

Safety Approvals

- CE
- D
- DVE
- GOST
- KEMA
- NF
- SEMKO
- DEMKO
- FIMKO
- IMQ
- NEMKO
- ÖVE

Dimension Diagram Unit: mm



AC30UUK – Three Wire Power Cord for United Kingdom



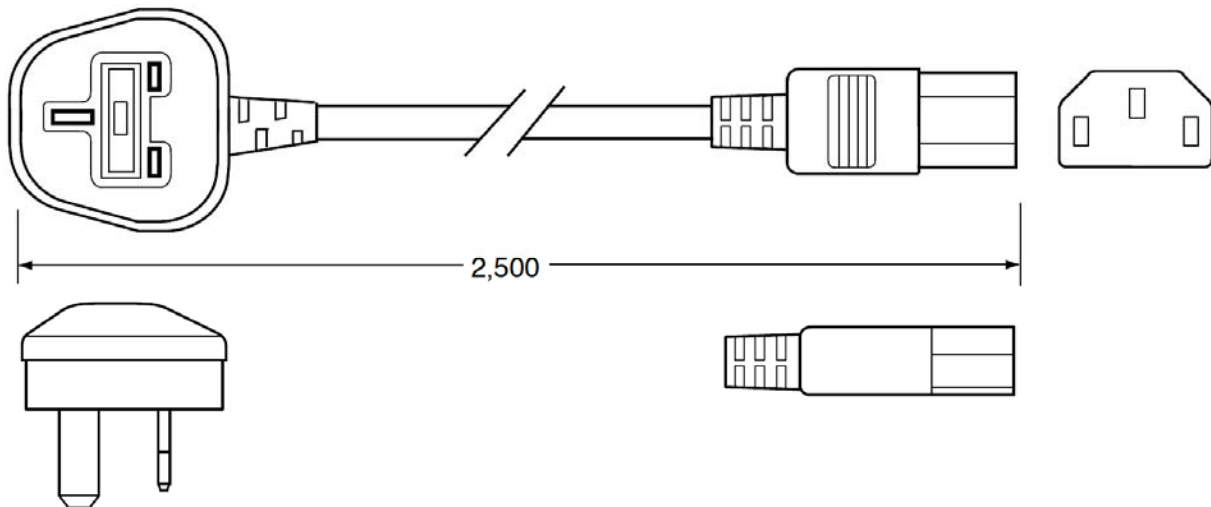
Specifications

- Plug Type: BS 1363
- Wire Size 1.0mm²
- Amperage Rating: 10A
- Connector: IEC320 C713
- Temperature: 70°C
- Voltage Rating: 250V

Safety Approvals

- BSI
- Safety Mark

Dimension Diagram Unit: mm



**Supplier's Declaration of Conformity
47 CFR § 2.1077 Compliance Information**

**PSAC30U-050L6-R
PSAC30U-090L6-R
PSAC30U-120L6-R
PSAC30U-240L6-R
PSAC30U-480L6-R
PSAC30U-560L6-R**

Phihong USA Corporation
47800 Fremont Boulevard
Fremont, CA 94538
Telephone: (510) 445-0100
www.phihong.com

NOTE: This model has/The models in this products series have been tested and found to comply with the limits for a Class B digital device, pursuant to part 15 of the FCC Rules. These limits are designed to provide reasonable protection against harmful interference in a residential installation. This equipment generates, uses and can radiate radio frequency energy and, if not installed and used in accordance with the instructions, may cause harmful interference to radio communications. However, there is no guarantee that interference will not occur in a particular installation. If this equipment does cause harmful interference to radio or television reception, which can be determined by turning the equipment off and on, the user is encouraged to try to correct the interference by one or more of the following measures:

- Reorient or relocate the receiving antenna.
- Increase the separation between the equipment and receiver.
- Connect the equipment into an outlet on a circuit different from that to which the receiver is connected.
- Consult the dealer or an experienced radio/TV technician for help.

Changes or modifications to equipment not expressly approved by PHIHONG could void the user's authority to operate the equipment.