



## 5 Watt Interchangeable Plug Series PSAC05R Adapter



Interchangeable clips sold separately

### Features

- Double Insulated
- Field Changeable AC Plugs
- Efficiency Level VI Compliance
- Low Leakage Current
- Low Cost
- Class B EMI

### Applications

- MPEG Players
- PDA
- Personal Electronics
- Digital Camera

### Safety Approvals

- UL/cUL 60950-1
- UL/cUL 62368-1
- AS/NZ 60950-1
- IEC60950-1
- IEC62368-1
- CE

### Mechanical Characteristics

- Length: 71.7mm (2.82in)
- Width: 45mm (1.77in)
- Height: 29.79mm (1.17in)
- Weight: 120g (4.2oz)

### Output Specifications

Model	DC Output Voltage	Load		Ripple <sup>1</sup> P-P(max)	Output Cable
		Min.	Max.		
PSAC05R-050L6-R	5V	0A	1.0A	200mV	Barrel
PSAC05R-050L6M-R	5V	0A	1.0A	200mV	Micro-b
PSAC05R-050L6B-R	5V	0A	1.0A	200mV	Mini-b

Notes:

1. Measured by using a 12in. twisted pair terminated with a 10uF EC capacitor and a 0.1uF ceramic in parallel

**INPUT:****AC Input Voltage Rating**

100 to 240V AC

**AC Input Voltage Range**

90 to 264V AC

**AC Input Frequency**

47 to 63Hz

**Input Current**0.3A (RMS) max at 115V AC/max load  
0.15A (RMS) max at 230V AC/max load**Leakage Current**

5uA max at 240V AC, 50Hz

**Inrush Current**<30A for 240V AC at max load  
(Cold start at ambient 25°C)**Input Power Saving**

0.075W

**OUTPUT:****Output Power**

5W

**Efficiency<sup>2</sup>**DOE Level VI  
ErP 2009/125/EC (EU 2019/1782).**Ripple**

200mV max

**ENVIRONMENTAL:****Temperature**

Operation	0 to +40°C
Non-operation	-40 to +85°C
Humidity	90%RH Max

**Emissions**Complies with FCC Class B  
Complies with EN55032 Class B  
AS/NZS 3548**Immunity**EN50082-1: EN 61000-4-2, Level 4  
Air Discharge +/-15KV ; Contact +/- 8KV  
EN 61000-4-5, Level 3,1KV**Dielectric Withstand (Hi-pot) Test**Primary to Secondary: 3000V AC 10mA, 1  
minute**FEATURES:****Short-Circuit Protection**The output can be shorted permanently without  
damage whenever it operates within input  
voltage range and temperature range specified in  
this specification .Output current not exceed  
0.95A (RMS).**Over-Voltage Protection**

No to exceed 7.2V DC

**Over-Current Protection**

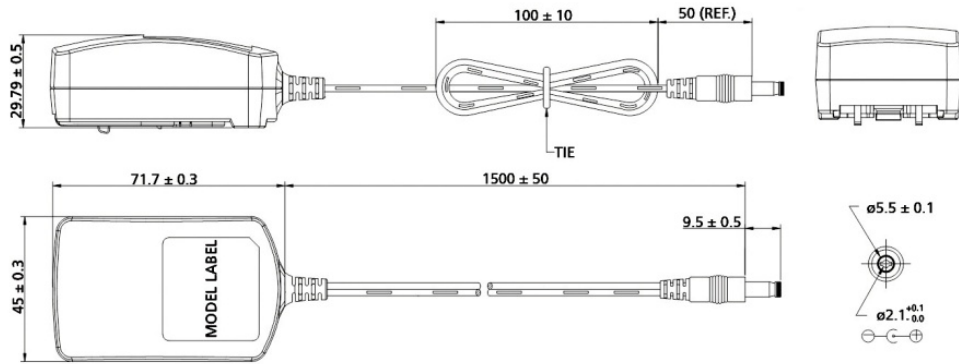
Not to exceed 1.2A (RMS)

**DC Output Connector**2.1 x 5.5 center positive standard (P model)  
Micro-B USB (L6M model)  
Mini-B USB (L6B model)**AC Input Clips (sold separately)**RPA – US  
RPB – Brazil  
RPC – China  
RPE – Europe  
RPH – Korea  
RPI – India  
RPK – UK  
RPN – Argentina  
RPS – Australia  
RPX – IEC320 C8**Notes:**

1. The characteristics defined are at ambient temperature of 25°C unless otherwise specified
2. Efficiency is measured after 30 minutes burn-in

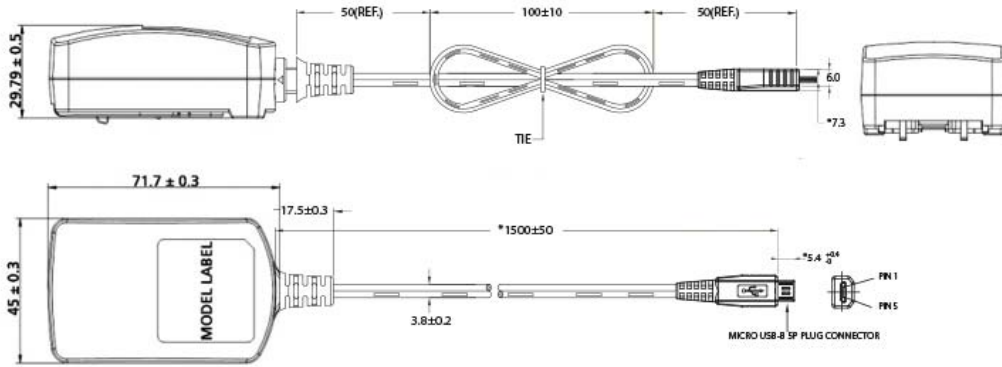
**PSAC05R-050L6 -R**

**Dimension Diagram Unit: mm**



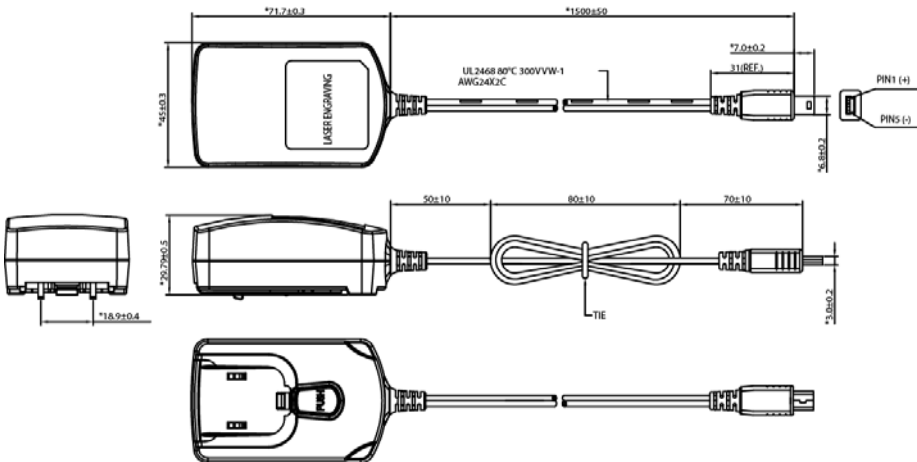
**PSAC05R-050L6M-R**

**Dimension Diagram Unit: mm**



**PSAC05R-050L6B-R**

**Dimension Diagram Unit: mm**



**Supplier's Declaration of Conformity**  
**47 CFR § 2.1077 Compliance Information**

Phihong USA Corporation  
47800 Fremont Boulevard  
Fremont, CA 94538  
Telephone: (510) 445-0100  
[www.phihong.com](http://www.phihong.com)

NOTE: This model has/The models in this products series have been tested and found to comply with the limits for a Class B digital device, pursuant to part 15 of the FCC Rules. These limits are designed to provide reasonable protection against harmful interference in a residential installation. This equipment generates, uses and can radiate radio frequency energy and, if not installed and used in accordance with the instructions, may cause harmful interference to radio communications. However, there is no guarantee that interference will not occur in a particular installation. If this equipment does cause harmful interference to radio or television reception, which can be determined by turning the equipment off and on, the user is encouraged to try to correct the interference by one or more of the following measures:

- Reorient or relocate the receiving antenna.
- Increase the separation between the equipment and receiver.
- Connect the equipment into an outlet on a circuit different from that to which the receiver is connected.
- Consult the dealer or an experienced radio/TV technician for help.

Changes or modifications to equipment not expressly approved by PHIHONG could void the user's authority to operate the equipment.