



## 15 Watt Universal 2-Wire Input Desktop Adapter



### Features

- No Load Power Saving  $\leq 0.075W$
- Efficiency Level VI Compliant
- Class B EMI
- $< 0.25mA$  Leakage Current
- Compact Size

### Applications

- Portable Equipment
- Peripherals and Terminals
- Low-Power Computers
- Networking

### Safety Approvals

- CE
- CB
- cUL/UL

### Mechanical Characteristics

- Length: 81.2mm (3.19in)
- Width: 50mm (1.96in)
- Height: 29.8mm (1.17in)
- Weight: 140g (4.94oz)

### Output Specifications

Model	DC Output Voltage	Load		Ripple P-P (max.)	Regulation Line & Load
		Min.	Max.		
PSAA15W-050L6-R	5V	0A	3.00A	70mV	$\pm 5\%$
PSAA15W-120L6-R	12V	0A	1.25A	120mV	$\pm 5\%$
PSAA15W-180L6-R	18V	0A	0.83A	180mV	$\pm 5\%$
PSAA15W-240L6-R	24V	0A	0.63A	240mV	$\pm 5\%$
PSAA15W-480L6-R	48V	0A	0.31A	480mV	$\pm 5\%$

Phihong is not responsible for any error, and reserves the right to make changes without notice. Please visit our website at [www.phihong.com](http://www.phihong.com) for the most up-to-date specifications and contact information.

**Input:****AC Input Voltage Rating**

100 to 240V AC

**AC Input Voltage Range**

90 to 264V AC

**AC Input Frequency**

47 to 63Hz

**Input Current**

0.5A (RMS) maximum at 120VAC

0.25A (RMS) maximum at 240VAC

**Leakage Current**

0.25mA maximum

**Inrush Current**

30A for 120VAC at max load

60A for 240VAC at max load

(Cold start at ambient 25°C)

**Input Power Saving**

≤0.075W max at no load

**Output:****Efficiency**

DOE Level VI

**Hold-up Time**

10mS min @max load, 115VAC

**Environmental:****Temperature**

Operation 0 to +40°C

Non-operation -20 to +75°C

Humidity 20 to 90%

**Emissions**

Complies with FCC Class B

Complies with EN55032 Class B

**Immunity**

IEC61000-4-2

IEC61000-4-3

IEC61000-4-4

IEC61000-4-5

IEC61000-4-6

IEC61000-4-11

**Over Voltage Protection**

10 V DC max at full load

**Over Current Protection**

Short circuit. Auto restart

**Short Circuit Protection**

Output can be shorted permanently without damage

**Dielectric Withstand(Hi-pot) Test**

Primary to Secondary:

3000VAC for 1min, 10mA

3600VAC for 3sec, 10mA

**DC Output Connector(Tuning Fork Type)**

2.1 x 5.5 x 9.5mm Center Positive Standard

**AC Input Connector**

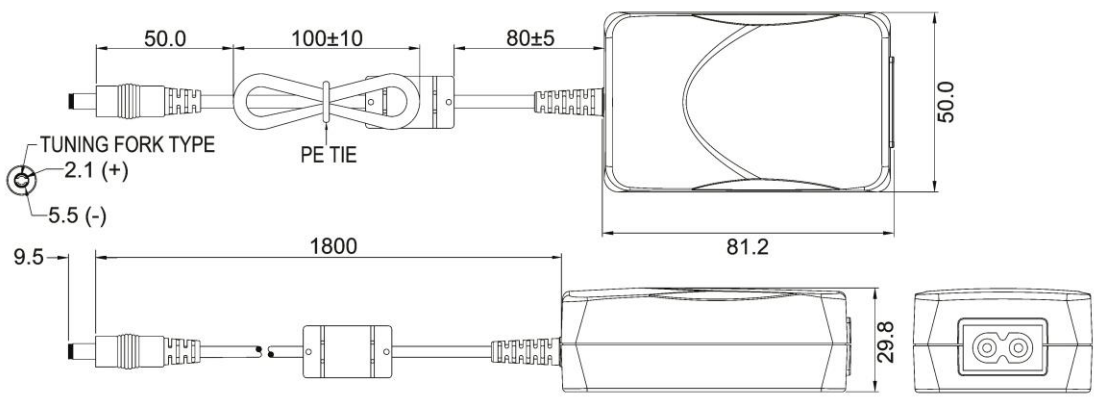
IEC60320 C8

**DC Cord Length**

5V model is 1000mm; all other models are

1500mm

**Dimension Diagram Unit: mm**



**Supplier's Declaration of Conformity**  
**47 CFR § 2.1077 Compliance Information**

Phihong USA Corporation  
47800 Fremont Boulevard  
Fremont, CA 94538  
Telephone: (510) 445-0100  
[www.phihong.com](http://www.phihong.com)

NOTE: This model has/The models in this products series have been tested and found to comply with the limits for a Class B digital device, pursuant to part 15 of the FCC Rules. These limits are designed to provide reasonable protection against harmful interference in a residential installation. This equipment generates, uses and can radiate radio frequency energy and, if not installed and used in accordance with the instructions, may cause harmful interference to radio communications. However, there is no guarantee that interference will not occur in a particular installation. If this equipment does cause harmful interference to radio or television reception, which can be determined by turning the equipment off and on, the user is encouraged to try to correct the interference by one or more of the following measures:

- Reorient or relocate the receiving antenna.
- Increase the separation between the equipment and receiver.
- Connect the equipment into an outlet on a circuit different from that to which the receiver is connected.
- Consult the dealer or an experienced radio/TV technician for help.

Changes or modifications to equipment not expressly approved by PHIHONG could void the user's authority to operate the equipment.