



120 Watt Universal 3-Wire Input Adapter PSA120U-V Adapter Series meets EISA and Ecodesign Requirements



Features

- EISA Compliant
- Compliant with Ecodesign ErP Directive 2009/125/EC level 2 annex 1b
- Non-vented/Spill-proof Case
- Level V Efficiency Compliant
- Class B EMI

Applications

- Networking
- Peripherals
- Industrial
- Test and Measurement

Safety Approvals

- cUL/UL
- CE

Mechanical Characteristics

- Length: 174mm (6.85in)
- Width: 77mm (3.03in)
- Height: 43mm (1.69in)
- Weight: 0.8Kg (1.76lbs)

Output Specifications

Model	DC Output Voltage	Load		Efficiency Level ²
		Min. ¹	Max.	
PSA120U-120V	12V	0A	10A	
PSA120U-240V	24V	0A	5.0A	
PSA120U-480V	48V	0A	2.5A	
PSA120U-560V	56V	0A	2.14A	

¹ Dynamic load from 0.1A to full load.

² See more detail on the second page

Phihong is not responsible for any error, and reserves the right to make changes without notice. Please visit our website at www.phihong.com for the most up-to-date specifications and contact information.

Input:**AC Input Voltage Rating**

100 to 240VAC

AC Input Voltage Range

90 to 264VAC

AC Input Frequency

47 to 63Hz

Input Current

2.5A at 100VAC

1.5A at 240VAC

Leakage Current

3.5mA maximum at 254VAC and 50Hz

Inrush Current

65A at 120VAC

130A at 240VAC

(Cold Start at ambient 25°C)

Input Power Saving

<0.5W at no load

OUTPUT:**Efficiency Level**

Level V Compliant

87-90% minimum average efficiency

Over-Voltage Protection

Output is protected from over voltage fault at all conditions including open-loop

Over-Power Protection

Auto-Reset

Ripple (P-P Max)

12V 150mV

24V 240mV

48V 480mV

56V 560mV

(Measured using 12-inch twisted pair terminated with a 10uF capacitor and 0.1uF ceramic in parallel)

Regulation (Line & Load)

±5%

Short-Circuit Protection

Output will withstand a short circuit across the outputs with auto-restart function. Output can be shorted without damage.

ENVIRONMENTAL**Temperature**

Operation 0 to +40°C

Non-operation -20 to +70°C

Humidity 20 to 80%

Emissions

FCC Class B

EN55022 Class B

CISPR22 Class B

Immunity

ESD EN61000-4-2

RS EN61000-4-3

EFT EN61000-4-4

Surge EN61000-4-5

CS EN61000-4-6

Voltage Dips EN61000-4-11

Dielectric Withstand (Hi-Pot) Test

Primary to Secondary: 3000V AC for 1 min., 10mA

MTBF

≥100K Hours when operated at 75% continuous load and ambient 25°C

DC Output Connector (12V model)

Molex P/N: 39-01-3065

Connecting Molex P/N: 39-00-0059

Pin Pin 1: +12V**Connections:** Pin 2: +12V

Pin 3: +12V

Pin 4: GND

Pin 5: GND

Pin 6: GND

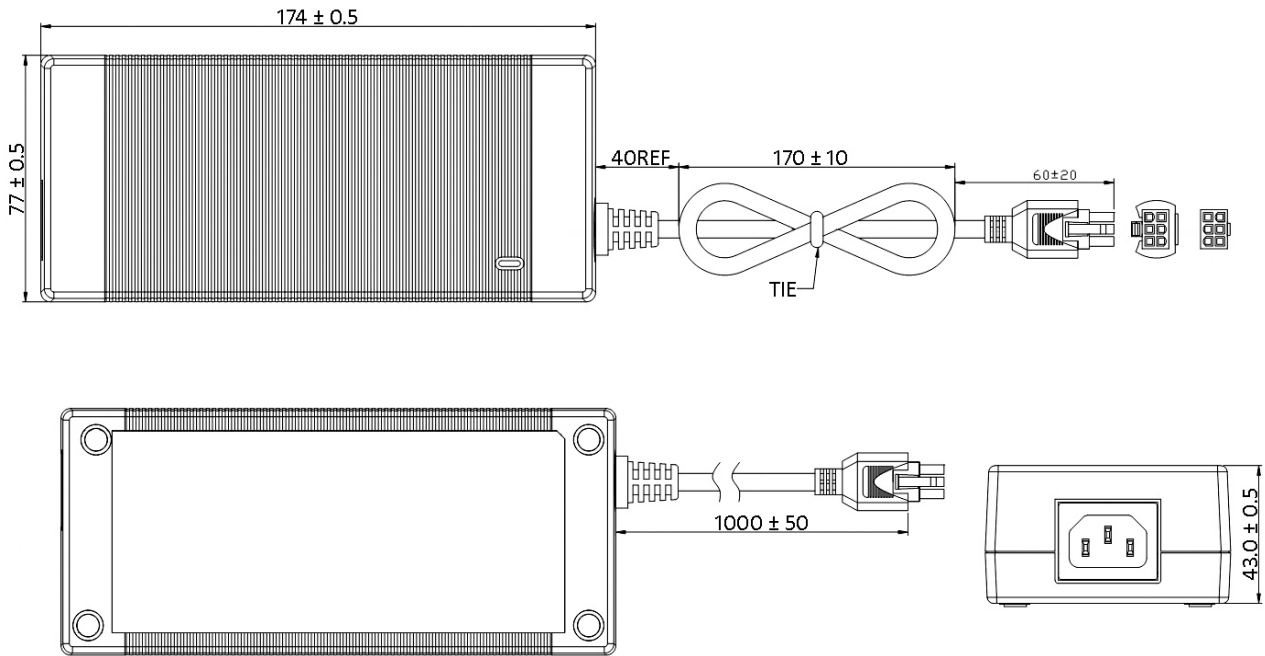
DC Output Connector (24V, 48V and 56V models)

2.5 x 5.5mm Center Positive Barrel Standard

Input Connector

3-Wire IEC320-C14

PSA120U-120V-R



PSA120U-240V-R, PSA120U-480V-R, PSA120U-560V-R

